

7168



- <30nV contact potential
- Bare copper terminal connections

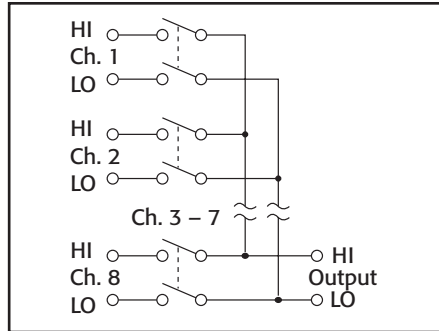
Ordering Information

7168 8-channel Nanovolt Scanner Card

Nanovolt Scanner Card

8-channel, 2-pole

The Model 7168 is an 8-channel, 2-pole card with <30nV of thermal offset. It will switch any one of eight signals to one output in less than 3ms. Channel offset leakage current is <50pA at 23°C. When the 7168 is used with the Model 2182A, the noise and drift performance of the 2182A is not degraded.



CHANNELS PER CARD: 8.

CONFIGURATION: Two poles per channel, input HI and LO.

CONNECTOR TYPE: Screw terminal to bare copper printed circuit pad.

MAX. SIGNAL LEVEL: 10V, 50mA peak (resistive load only).

CONTACT RESISTANCE: <12Ω.

CONTACT POTENTIAL (HI to LO) BETWEEN CHANNELS: <30nV when properly zeroed with supplied leads (see manual for recommended procedure). Typically <60nV without zeroing.

CONTACT TYPE: Solid state JFET switch.

ACTUATION TIME: <3ms, exclusive of mainframe.

INPUT LEAKAGE: <50pA per channel at 23°C.

INPUT ISOLATION: >10⁹Ω, <40pF between any input terminals or between any input terminal and earth.

COMMON MODE VOLTAGE: 30V peak.

MAXIMUM VOLTAGE BETWEEN ANY TWO TERMINALS: 10V.

WARM-UP: 2 hours in mainframe for thermal stability.

OPERATING ENVIRONMENT: 0°–40°C; up to 35°C at 70% R.H.

STORAGE ENVIRONMENT: –25° to 60°C.

ACCESSORIES SUPPLIED

2107-4	Low Thermal Input Cable for 2182A (1 supplied)
7168-316	Low Thermal Input Cables for 7166 (8 supplied)

SERVICES AVAILABLE

7168-3Y-EW	1-year factory warranty extended to 3 years from date of shipment
------------	---

Distribuido Por:
www.finaltest.com.mx
Calle del Ebano #16625
Tijuana B.C. Mexico
Tel. (664)681-1130
Tel. 01800 027-4848
ventas@final-test.net

FINAL TEST^{MR}
Venta de Instrumentos de Prueba y Medición

1.888.KEITHLEY (U.S. only)
www.keithley.com

KEITHLEY

A GREATER MEASURE OF CONFIDENCE

Use with 7001 and 7002 switch mainframes

SWITCHING AND CONTROL