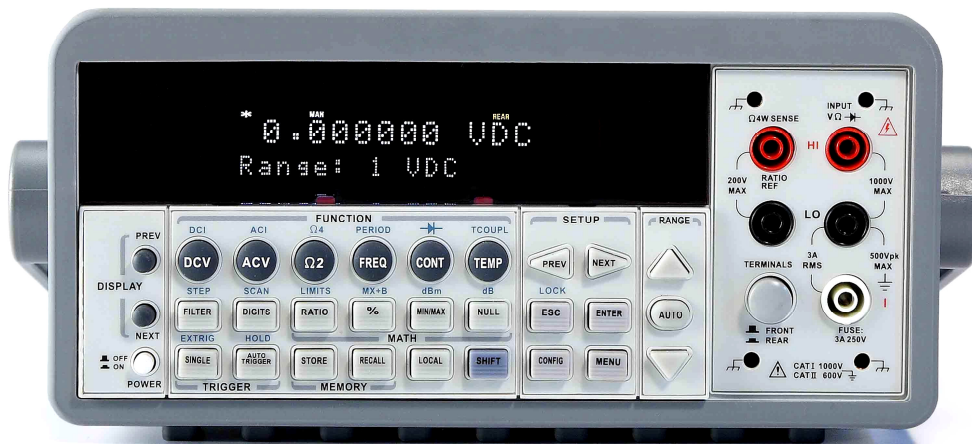




12061

6 1/2 Digit Multimeter



User's Manual

Version: 1.06

Table of Contents

1 GENERAL INFORMATION.....	5
1.1 FEATURE OVERVIEW.....	5
1.2 WARRANTY INFORMATION	6
1.3 PRECAUTION OF OPERATION	7
1.4 UPKEEP OF 12061.....	8
1.5 SAFETY INFORMATION.....	8
1.6 SYMBOLS AND TERMS	9
1.7 INSPECTION	10
1.8 OPTIONS AND ACCESSORIES.....	10
1.9 12061'S DIMENSION	11
2 OVERVIEW	12
2.1 SETTING UP YOUR 12061 DIGITAL MULTIMETER.....	12
2.1.1 <i>To adjust the handle</i>	12
2.1.2 <i>To connect the power</i>	15
2.1.3 <i>Factory Default When Power-ON</i>	22
2.2 FEATURES.....	24
2.3 12061 FUNCTION INTRODUCTION.....	24
2.3.1 <i>The Front Panel</i>	24
2.3.2 <i>The Display</i>	28
2.3.3 <i>The Rear Panel</i>	30
3 BASIC MEASUREMENT FUNCTION.....	32
3.1 VOLTAGE MEASUREMENTS (DC & AC).....	32
3.2 CURRENT MEASUREMENTS (DC & AC)	34
3.3 RESISTANCE MEASUREMENTS (2 & 4-WIRE).....	36
3.4 FREQUENCY & PERIOD MEASUREMENTS.....	38
3.5 CONTINUITY MEASUREMENTS.....	39
3.6 DIODE MEASUREMENTS	40
3.7 TEMPERATURE MEASUREMENTS.....	41
3.7.1 <i>Thermocouple Measurements</i>	42
3.7.2 <i>RTD Measurements</i>	43
4 FRONT PANEL OPERATIONS.....	50
4.1 MEASUREMENT CONFIGURATION	50

4.1.1	Set ADC (Auto Zero).....	50
4.1.2	Filter.....	52
4.1.3	Resolution Setting (Digits).....	56
4.1.4	DC Input Resistance.....	58
4.1.5	Threshold Resistance (Continuity).....	59
4.1.6	Range (Manual and Auto).....	60
4.1.7	Rate (Integration Time).....	62
4.1.8	Sensor Selection for Temperature Measurements.....	64
4.1.9	Remote Interface Selection.....	68
4.1.10	Input Terminal Switch.....	68
4.2	TRIGGER OPERATIONS.....	69
4.2.1	Trigger Mode.....	70
4.2.2	Trigger Source.....	72
4.2.3	Trigger Setting.....	74
4.3	MATH OPERATIONS.....	78
4.3.1	Ratio.....	79
4.3.2	% (Percent).....	80
4.3.3	Min/Max.....	81
4.3.4	Null.....	83
4.3.5	Limits Test.....	84
4.3.6	MX+B.....	86
4.3.7	dB/dBm.....	89
4.4	OTHER SYSTEM RELATED OPERATIONS.....	93
4.4.1	Display.....	93
4.4.2	Beeper.....	95
4.4.3	Reading Memory (Store & Recall).....	97
4.4.4	Sensitivity Band (Hold).....	99
4.4.5	Scanning (Scan).....	100
4.4.6	Stepping (Step).....	104
4.4.7	Initial Mode.....	105
4.4.8	Language.....	106
4.4.9	Error Condition.....	107
4.4.10	Firmware Revision.....	108
4.4.11	Calibration.....	109
4.4.12	Self-test.....	110
	5 REMOTE INTERFACE OPERATIONS.....	115

5.1	PASS/FAIL OUTPUT FROM USB CONNECTOR.....	115
5.2	SETTING UP FOR REMOTE INTERFACE.....	116
5.3	REMOTE INTERFACE COMMANDS.....	117
6	ERROR MESSAGES	130
6.1	ERROR TYPE.....	130
6.1.1	<i>Execution Errors</i>	<i>130</i>
APPENDIX.....		135
A.	SPECIFICATION LIST.....	135
B.	GENERAL SPECIFICATIONS.....	139
C.	REMOTE INTERFACE REFERENCE	140
C.1	<i>An Introduction to the SCPI Language</i>	<i>140</i>
C.2	<i>Output Data Formats</i>	<i>144</i>
C.3	<i>The MEASure? Command.....</i>	<i>145</i>
C.4	<i>The CONFigure Command.....</i>	<i>146</i>
C.5	<i>The Measurement Configuration Command.....</i>	<i>148</i>
C.6	<i>The Math Operation Command</i>	<i>155</i>
C.7	<i>The Triggering Commands.....</i>	<i>158</i>
C.8	<i>The System-Related Commands</i>	<i>159</i>
C.9	<i>The SCPI Status Pattern</i>	<i>161</i>
C.10	<i>Status Reporting Commands.....</i>	<i>168</i>
C.11	<i>SCPI Compliance Information</i>	<i>170</i>
C.12	<i>IEEE-488 Compliance Information</i>	<i>172</i>
D.	ABOUT APPLICATION PROGRAMS	174

1 General Information

This section contains general information about CHROMA 12061 Multimeter. The information is shown below:

- Feature Overview
- Warranty Information
- Safety Information
- Symbols and Terms
- Specifications
- Inspection
- Options and Accessories

If you have any questions after reading this information, please contact your local service representative.

1.1 Feature Overview

12061 is a 6.5 digit digital multimeter. It has 0.0015% 24-hour basic DC voltage accuracy at 10V range and 0.002% 24-hour basic resistance accuracy at 10k Ω range. At 6.5 digit, the multimeter delivers 50 triggered RDGS/sec via remote interface. At the fast 4.5 digit, it reads over 2000 RDGS/sec into its internal buffer. 12061 provides wide measurement ranges:

※ **Note: The 24-hour measurement is subject to calibration accuracy.**

- DC voltage: 0.1V, 1V, 10V, 100V & 1000V.
- AC voltage: 0.1V, 1V, 10V, 100V & 750V.
- DC current: 10mA, 100mA, 1A & 3A.
- AC current: 1A & 3A.
- 2 & 4-wire resistance: 100 Ω , 1K Ω , 10K Ω , 100K Ω , 1M Ω , 10M Ω &

100MΩ.

- Frequency: From 3Hz to 300kHz.
- Period measurement.
- Diode measurement.
- Continuity measurement for resistance.
- Thermocouple temperature & RTD measurements.

Some additional capabilities of 12061 include:

- Full math functions – dB, dBm, MX+B, ratio, %, Max/Min, null & limits.
- Optional multipoint scanner cards – including A120000 (a 10-channel) for general purpose, A120002 (a 20-channel) for general-purpose, and A120004 (a 10-channel) for thermocouple & RTD measurements plus general-purpose.
- USB and GPIB (Optional) remote control interface.
- Through Microsoft Office Word & Excel for remotely storing and recalling the measured values.
- Through 12061 AP software for simulating the real operation on PC.

1.2 Warranty Information

1. **Warranty:** CHROMA CORP. guarantees that this product meets its published specifications at the time of shipment from the factory. Under proper installation it should work as expected.
2. **Warranty Period:** This equipment is warranted against defects in material and manufacturing for a period of one year from the date of shipment. During the warranty period, CHROMA is responsible for necessary repairs as long as the product can be proved to be defective.
For warranty service or repair this product must be returned to a service facility designated by CHROMA. Please contact your local service representative.
3. **Excluded Items:** This warranty does not include consumptive parts such as fuses, buttons and relays. Neither does this warranty cover

defects caused by improper installation, improper or insufficient maintenance, unauthorized modification, improper operation, ignorance of environmental specifications or improper software or interfacing.

4. Remarks:

- No other warranty is expressed or implied, except for the above mentioned.
- The remedies provided herein are the buyer's sole and exclusive remedies. CHROMA shall not be liable for any direct, indirect, special, incidental or consequential damages.

Limitation of warranty

1. Our warranties do not cover any damage resulting from unauthorized modification or misuse.
2. Unless mentioned elsewhere in this document, our warranty does not apply to fuses, probes, and problems arising from normal wear or user's failure to follow instructions.
3. Our warranties do not apply on any direct, incidental, special, or consequential damages.
4. The above warranties are exclusive and no other warranty is expressed or implied. CHROMA disclaims any implied warranties of MERCHANTABILITY, SATISFACTORY QUALITY, and FITNESS for any particular reasons.

1.3 Precaution of Operation

- Please carefully read the manual before operating this device.
- This manual is for reference only. Please consult your local service representative for further assistance.
- The contents of this manual may be amended by the manufacturer without notice.
- Never dismantle the equipment by any unauthorized personnel, or equipment may be damaged.
- The equipment has been strictly tested for quality before delivery

from our factory. However, this equipment must not be used in dangerous situations where damage may result.

- This product should be placed in a safe area in case of unpredictable personnel use.
- The rear protective conduct terminal needs to be connected to the actual earth ground or electric shock may occur.
- The patent and related documents for the equipment belong to CHROMA CORP. and they aren't allowed to be used by others without permission.

1.4 Upkeep of 12061

- Although 12061 multimeter is very durable and weather resistant, care should be taken not to expose it to severe impact or pressure.
- Keep 12061 far from water and damp environment.
- Calibration will be taken every year. Please contact with your local service representative for more information.
- If the incorrect display or abnormal beeps occurred you should stop using the equipment at once.
- Do not use the Meter around explosive gas or inflammable vapor.
- Wipe the surface of 12061 multimeter with a piece of dry and clean cloth.

1.5 Safety Information



Warning! Please read through the following safety information before using the product.

To avoid possible electric shock or personal injury, please read and follow these guidelines carefully:

- Follow the guidelines in this manual and DO NOT use the Meter if the case is damaged. Check the Meter case and terminals, and make sure all the devices are in the proper positions.
- Do not apply excessive voltage to the Multimeter. Apply voltage

within the rated range only.

- Use caution when measuring voltages above 30 V RMS, 42 V peak, or 60 V DC. These voltages pose an electric shock hazard.
- When using the probes, always keep your fingers behind the finger guards.
- Always connect the common test leads (black) before connecting the live test leads (red), and disconnect the live test leads (red) before disconnecting the common test leads (black). This will reduce the chance of an electric shock.
- Disconnect circuit power and discharge all high-voltage capacitors before testing resistance, continuity, diodes or capacitance.
- If you need to open the Meter case or replace any parts, read the instruction in this manual first. You must be a qualified personnel to perform this action.
- When replacing fuses, use only the same type and same rating as specified.
- Do not try to operate the Meter if it is damaged. Disconnect the power from the equipment and consult the local service representative. Return the product to CHROMA service department if necessary.

1.6 Symbols and Terms



This symbol indicates hazards that may cause damages to the instrument or even result in personal injury.



This symbol indicates high voltage may be present. Use extra caution before taking any action.



This symbol indicates the frame or chassis terminal presented need to be connected to the actual earth ground.



This symbol indicates "Protective Conductor Terminal".



This symbol indicates earth (ground) terminal.



This symbol indicates this product complies with the essential requirements or the applicable European laws or directives with respect to safety, health, environment and consumer protections.



Note: Full 12061 specifications are included in Appendix A.

1.7 Inspection

Your product package is supplied with the following items:

- One 12061 Multimeter unit. (85 (H) x 210 (W) x 350 (D) mm, approx. 4.3 Kg)
- One power line cord.
- One USB cable.
- Standard Test Leads
- One CD (including this electronic User's Manual and software applications).
- Optional accessories as you ordered. (Refer to the section 1.8 "Accessories")

1.8 Options and Accessories

The following options and accessories are available from CHROMA for use with the Model 12061. Please refer to the following **Table 1-1**.

Part Name	Part Number
Multi-point Scanner Card	A120000
Thermocouple adapter	A120001

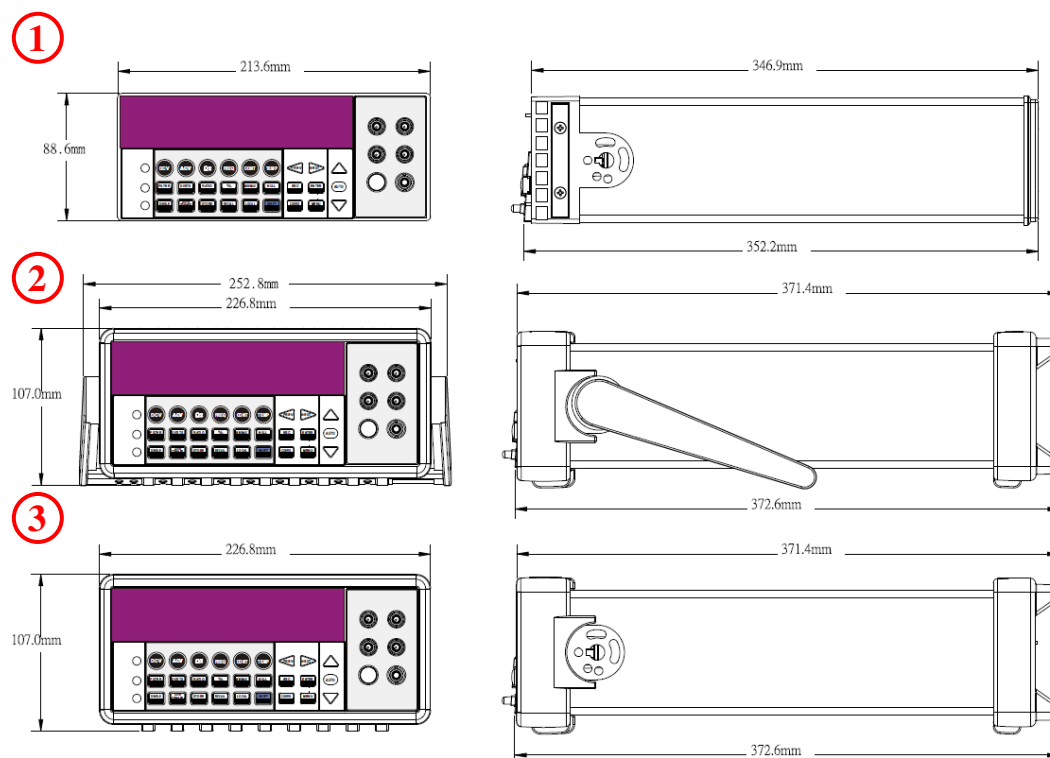
20-Channel Multi-point Scanner Card	A120002
10-Channel TC-Scanner Card	A120004

Table 1-1

1.9 12061's Dimension

Please get the dimension's information in the following different ways.

1. The dimension without the handle and the front & Rear Bumpers is in the following Picture 1. (LxWxD - 213.6x88.6x346.9 mm)
2. The dimension with the handle and the front & Rear Bumpers is in the following Picture 2. (LxWxD – 252.8x107.0x372.6 mm)
3. The dimension with the front & Rear Bumpers, but without the handle is in the following Picture 3. (LxWxD – 226.8x107.0x372.6 mm)



2 Overview

This chapter will give you an overview of 12061's basic features and guide you through the basics of 12061 digital multimeter. You will become familiar with those features after reading this chapter.

2.1 Setting up Your 12061 Digital Multimeter

The purpose of this section is to prepare you for using 12061 DMM. You may want to check if you have all the parts with your multimeter. All our products are handled and inspected professionally before shipping out to our customers. If you find any damaged or missing parts, please contact your local service representative immediately and do not attempt to operate the damaged product. If you have any doubt about their products, they are encouraged to contact their local service representative.

2.1.1 To adjust the handle

You may adjust the carrying handle to suit your needs. The following figures show you how to adjust the handle.

I. Taking off the handle from the Multimeter

【Step 1】 (Turn up the handle)

Pull slightly outward on both sides of the handle and slowly rotate it up as shown in **Figure 1-1**.

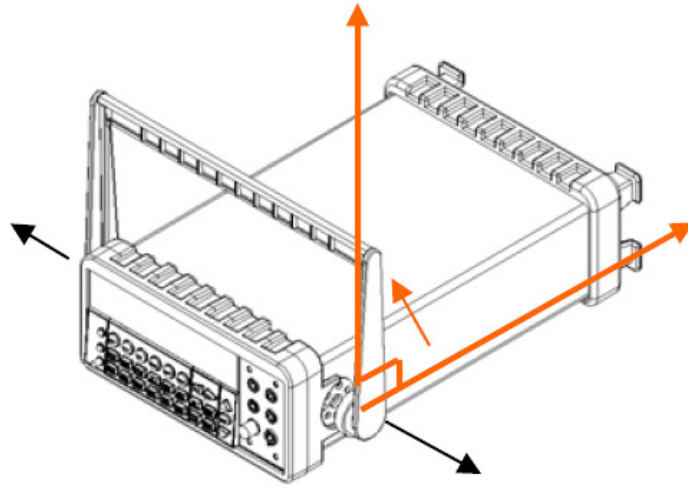


Figure 1-1

【Step 2】 (Pull out the handle)

When the handle is turned up to 90° with the multimeter please pull out the handle from the multimeter as shown in **Figure 1-2**.

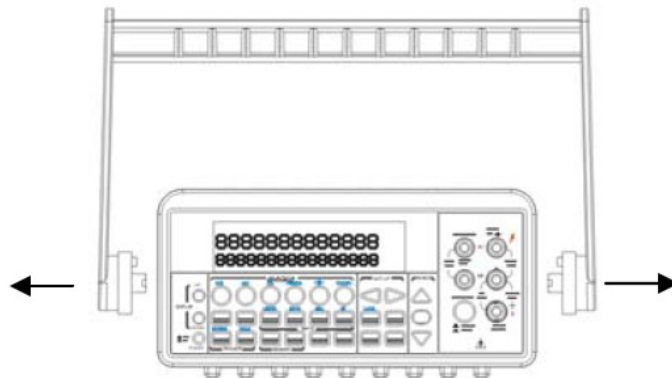


Figure 1-2

II. Adjusting the position for your convenience

Here are some example positions to suit user' needs.

【Position 1】

The default position is for packing as shown in **Figure 1-3** ◦

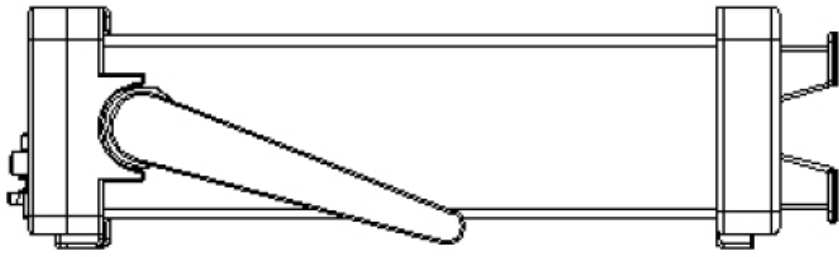


Figure 1-3

【Position 2】

The adjusted position is for operation as shown in **Figure 1-4** ◦

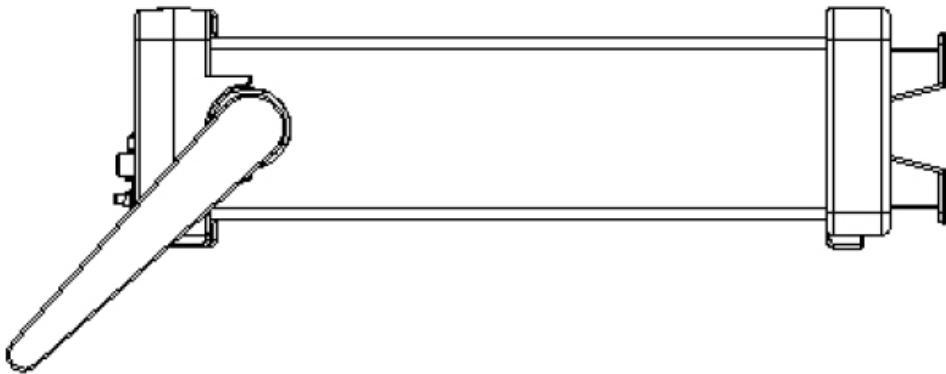


Figure 1-4

【Position 3】

The carrying position is with the handle as shown in **Figure 1-5** ◦

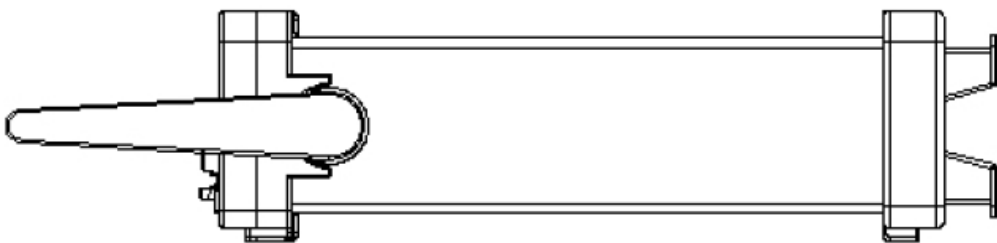


Figure 1-5

2.1.2 To connect the power

Check the power-line voltage on the rear panel to see if voltage setting is correct for your area. Change the setting if it is not correct or the fuse is broken. Please follow the steps below.

2.1.2.1 To convert the voltage



Warning! In some areas, the power supplied voltage is 240V or 120V; in others, the power supplied voltage is 220 V or 100 V. Please refer to your local power supplied voltage to see if you have the right setting.



Warning! Before changing the setting, make sure the multimeter is disconnected from the AC power. An incorrect voltage setting may cause severe damage to your instrument.



Warning! The power cord supplied with 12061 contains a separate ground wire for use with grounded outlets. When proper connections are made, instrument chassis is connected to power line ground through the ground wire in the power cord. Failure to use a grounded outlet may result in personal injury or death due to electric shock.

Suppose your condition is in AC 100V and you want to convert the voltage to the 220V. Follow these steps to change the voltage setting.

【Step 1】

Verify that the meter is disconnected as shown in **Figure 2-1**.

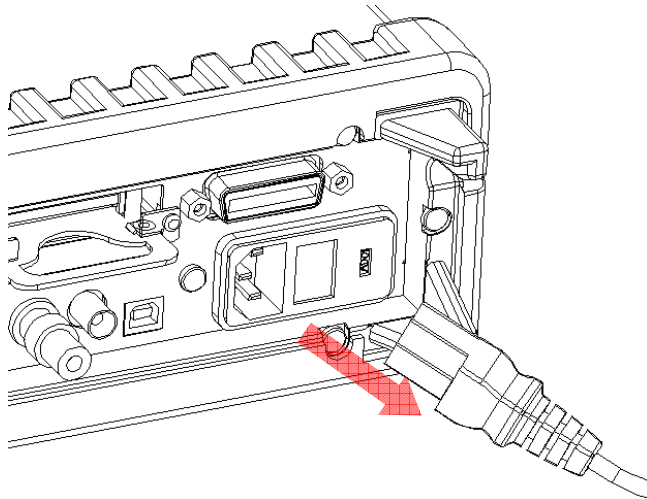


Figure 2-1

【Step 2】

Open the voltage setting selector cap as shown in **Figure 2-2**. (You might need a screwdriver to do so.)

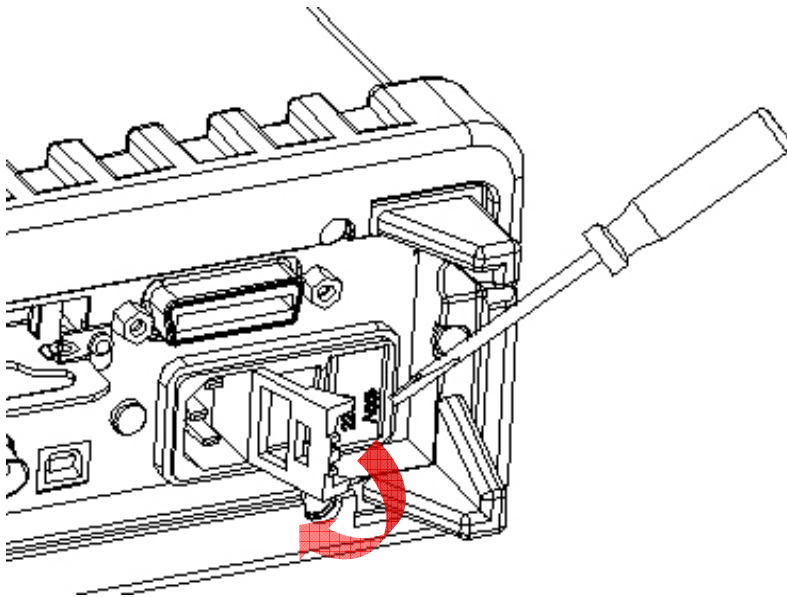


Figure 2-2

【Step 3】

Remove the red voltage setting selector from the right middle seam as shown in **Figure 2-3**. (You might need a screwdriver to do so.)

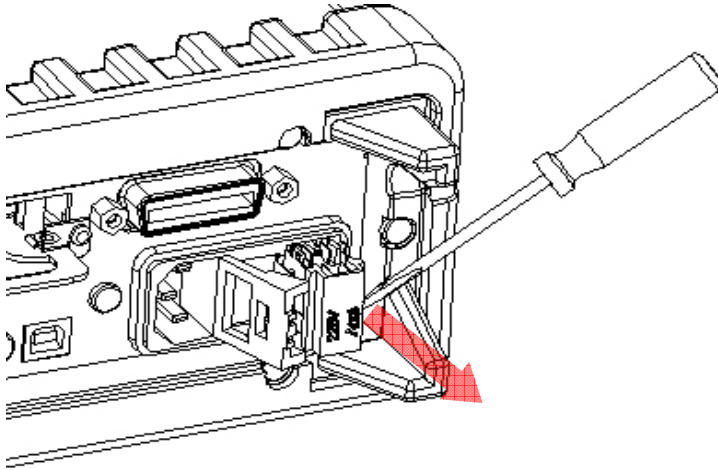


Figure 2-3

【Step 4】

Turn it over to 220V position as shown in **Figure 2-4**.

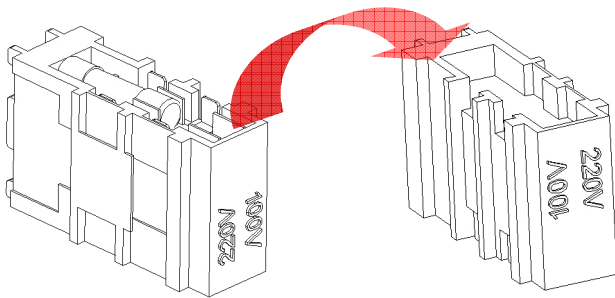


Figure 2-4

【Step 5】

Insert the voltage setting selector back into the socket and close the cap as shown in **Figure 2-5**.

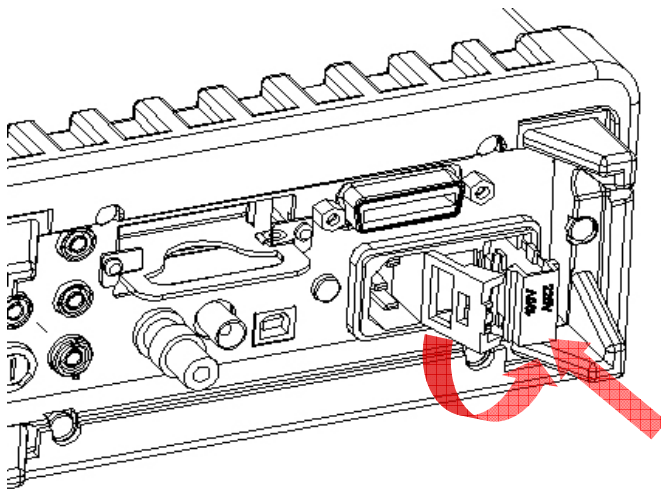


Figure 2-5

2.1.2.2 To change the fuse



Warning! Before replacing the power-line fuse, make sure the multimeter is disconnected from the AC power. You must be a qualified personnel to perform this action.



Warning! For continued protection against fire or instrument damage, only replace fuse with the same type and rating. If the instrument repeatedly blows fuses, locate and correct the cause of the trouble before replacing the fuse.

Verify that the power-line fuse is good. Replace the fuse if it is damaged. Use only the same type and same rating fuse noted on the rear panel. Please follow the steps below to change the fuse.

【Step 1】

Verify that the meter is disconnected as shown in **Figure 2-6**.

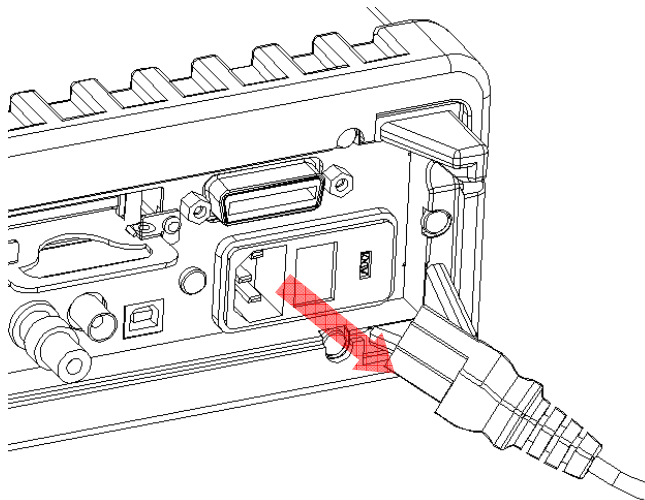


Figure 2-6

【Step 2】

Open the voltage setting selector cap as shown in **Figure 2-7**. (You might need a screwdriver to do so.)

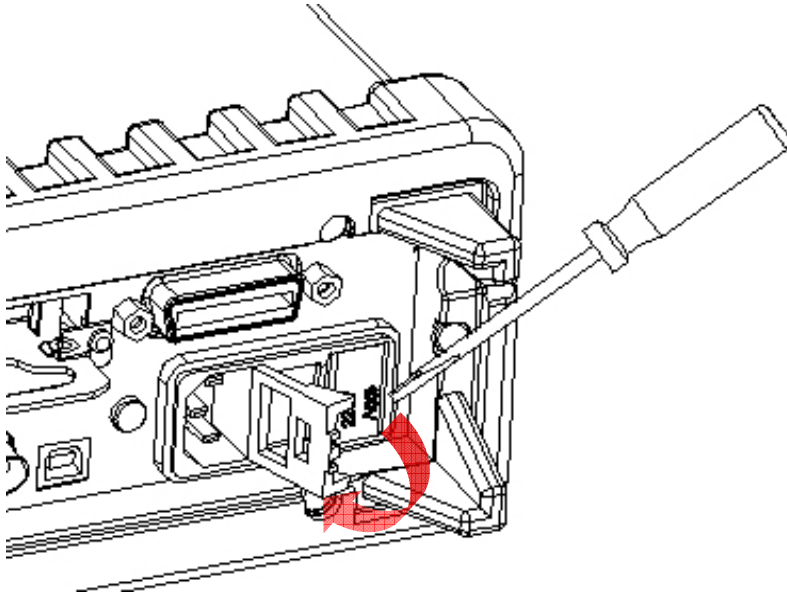


Figure 2-7

【Step 3】

Remove the red voltage setting selector from the right middle seam as shown in **Figure 2-8**. (You might need a screwdriver to do so.)

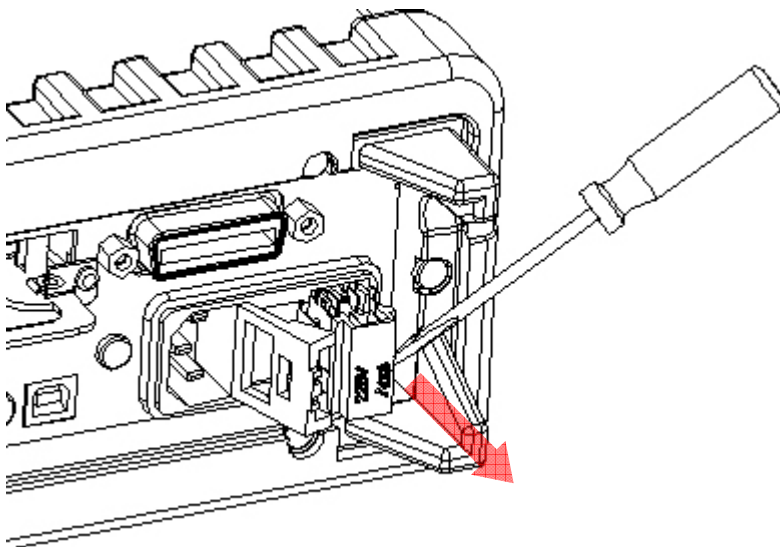


Figure 2-8

【Step 4】

Remove the broken fuse from the selector as shown in **Figure 2-9**.

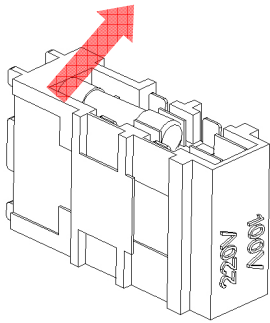


Figure 2-9

【Step 5】

Replace with the new fuse as shown in **Figure 2-10**.

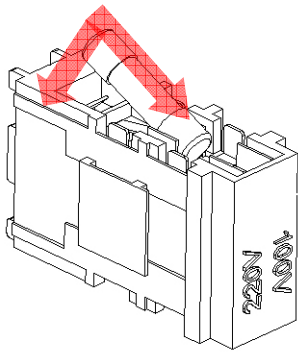


Figure 2-10

【Step 6】

Insert the voltage setting selector back into the socket and close the cap as shown in **Figure 2-11**.

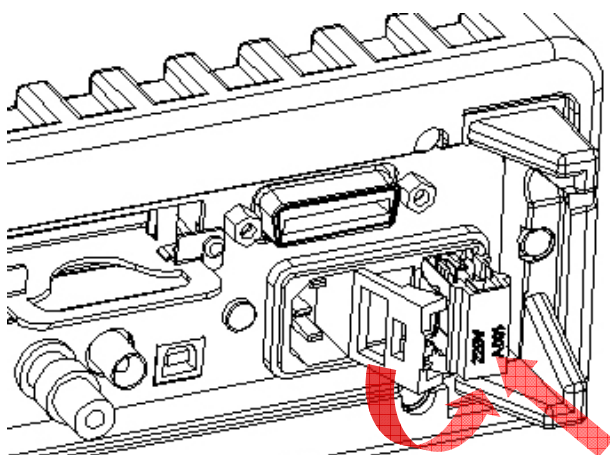


Figure 2-11

【Step 7】

Make sure the power switch on the front panel is in “Power OFF” condition before plugging as shown in **Figure 2-12**.

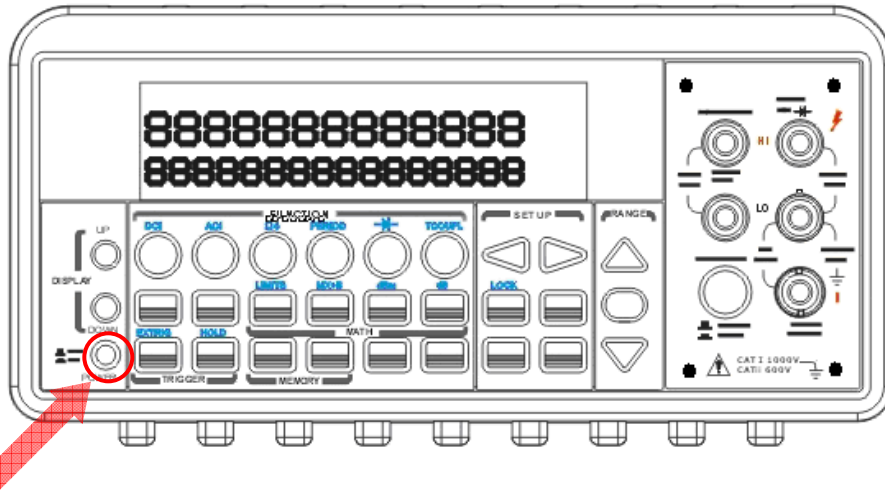


Figure 2-12

Power switch:



【Step 8】

After finishing the above procedures, you can plug in your power cord as shown in **Figure 2-13**.

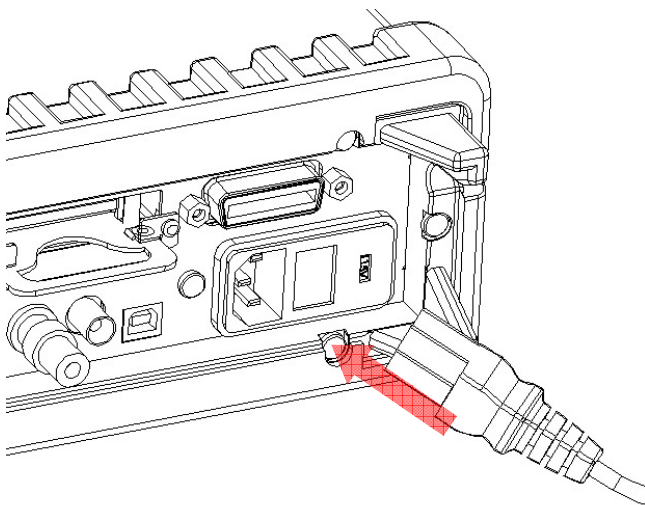


Figure 2-13

【Step 9】

Press on the power switch on the front panel for activating 12061 as shown in **Figure 2-14**.

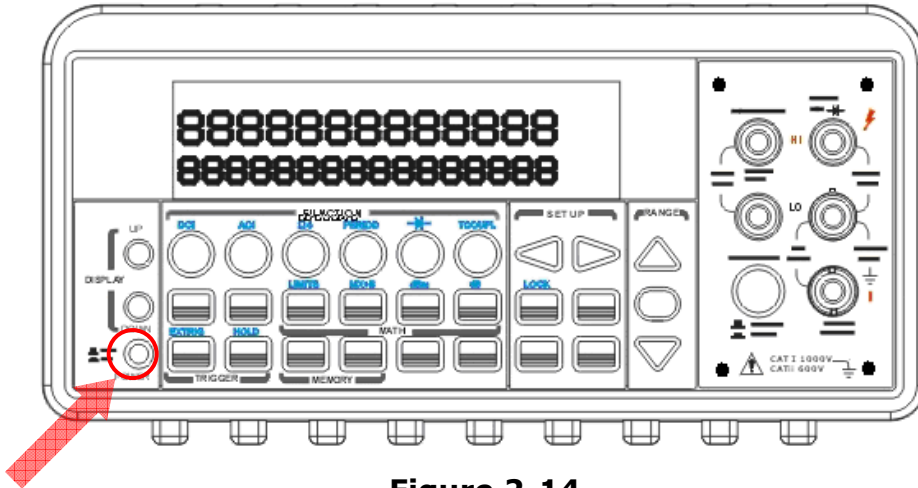


Figure 2-14

Power switch:

 - "POWER ON"

2.1.3 Factory Default When Power-ON

Table 2-1 shows the factory default of 12061.

Function		Default
Function		DCV
Autozero		On
Frequency and Period Source		AC Voltage
Output Format		ASCII
Ratio		Off
AC Bandwidth	Input Frequency	20Hz

Voltage	AC Digits	5.5
	DC digits	Slow 5.5 (1 PLC)
	Range	Auto
Current	AC Digits	5.5
	DC Digits	Slow 5.5 (1 PLC)
	Range	Auto
Frequency and Period	Digits	5.5
	Range	AUTO
	Rate	Medium (100ms)
Diode Test	Digits	5.5
	Range	1mA
	Rate	0.1 PLC
Resistance (2-wire)	Digits	Slow 5.5 (1 PLC)
	Range	Auto
Temperature	Digits	Slow 6.5 (10 PLC)
	Thermocouple	K Type
Triggers	Source	Immediate
	Delay	Auto
Input Resistance		10M Ω

Table 2-1

2.2 Features

- Resolution: 6.5 digits.
- 5*7 dot matrix VFD, dual displays with 3-color annunciators.
- 11 standard measurement functions & 8 math functions.
- 4 front ground terminal are connected to Chassis.
- Stability, Accuracy and Speed (2000RDGS/Sec at 4.5 Digit, 50 RDGS/Sec at 6.5 Digit in 60 Hz)
- Multi-Points Scanner Card: Up to 10 Channels. (Optional)
- RTD probe Adapter (optional) convenient to use.
- Built-in USB and GPIB (Optional) Interfaces.
- Easy & Free PC applications.

2.3 12061 Function Introduction

For you to become familiar with the 12061 DMM, we will give a brief introduction to the basic operations of 12061 DMM. There are three major parts of 12061: **(2.3.1) the front panel, (2.3.2) the display, and (2.3.3) the rear panel.** We will discuss each of them in the following sections.

2.3.1 The Front Panel

There are different buttons and terminals on the front panel. They are divided into the following groups: (DISPLAY & POWER), (FUNCTION, MATH, TRIGGER, MEMORY, SETUP, RANGE, INPUT TERMINALS), and (FILTER, DIGITS, LOCAL, and SHIFT) as shown in **Figure 2-15**.

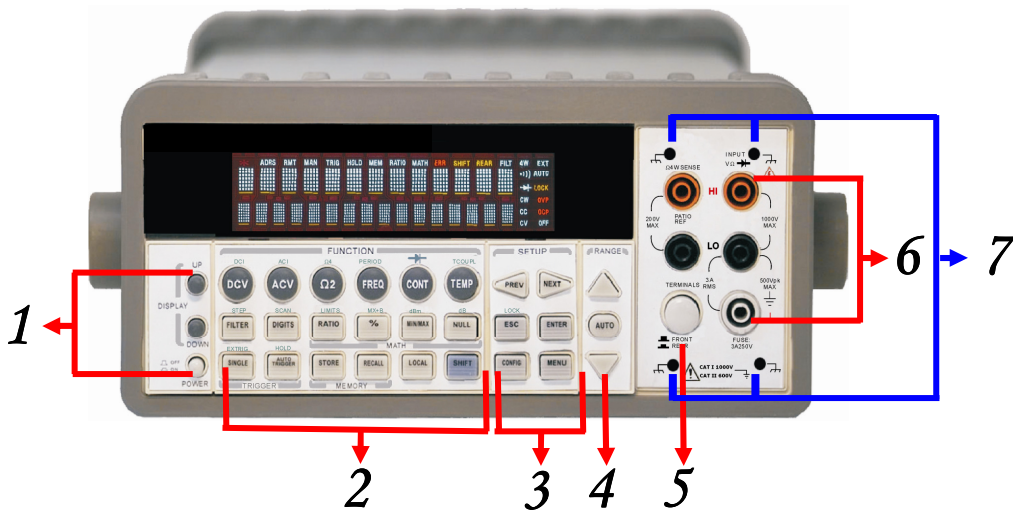


Figure 2-15

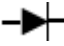
1. Power & Display:

- Power: Activates 12061 DMM.
- Display: Shows model, version & condition by pressing round PREV & NEXT buttons.

2-1. First row without SHIFT button:

- DCV: Selects DC voltage measurement.
- ACV: Selects AC voltage measurement.
- Ω2: Selects 2-wire resistance measurement.
- FREQ: Selects frequency measurement.
- CONT: Selects the continuity test.
- TEMP: Selects RTD temperature measurement.

2-2. First row with SHIFT button:

- DCI: Selects DC current measurement.
- ACI: Selects AC current measurement.
- Ω4: Selects 4-wire resistance measurement.
- PERIOD: Selects period measurement.
- : Selects diode testing.
- TCOUPL: Selects thermocouple temperature measurement.

2-3. Second row without SHIFT button:

- FILTER: Enable or disable the digital filter.

- DIGITS: Changes resolution.
- RATIO: Enables the dcv:dcv ratio function.
- %: Calculates the ratio to a target value in percentage.
- MIN/MAX: Captures the minimum or maximum readings from the measurement.
- NULL: Activates the offset function in order to get the real measured reading.

2-4. Second row with SHIFT button:

- STEP: Scans from a channel to the next channel in delayed action when using the scanner card.
- SCAN: Enables scanning function when using the scanner card.
- LIMITS: Used for Setting upper and lower limit values for readings.
- MX+B: Used for calculating slope. X is the normal display reading. M and B are constants specified by you for scale factor and offset.
- dBm: Used for displaying voltage measurement in dBm power unit.
- dB: Used for displaying voltage measurement in decibel unit.

2-5. Third row without SHIFT button:

- SINGLE: Manually triggers the multimeter to make measurements.
- AUTO TRIGGER: Instructs the multimeter to make measurements continuously.
- STORE: Stores a specified number of subsequent readings.
- RECALL: Displays stored readings and buffer statistics. Use $\triangleleft \triangleright$ or $\triangle \nabla$ searching buttons to toggle between reading number and reading.
- LOCAL: Cancels USB or GPIB remote mode.
- SHIFT (in blue): Used for accompanying other button with upper print in blue and converting function.

2-6. Third row with SHIFT button:

- EXTRIG: Selects external triggers as the trigger source via BNC port on the rear panel.
- HOLD: Holds reading.

3-1. The first row in SETUP section

- $\triangleleft \triangleright$: Scrolls through buffer, conceals or reveals the digits while

measuring.

3-2. The second row in SETUP section:

- ESC: Cancels selection, moving back to measurement display.
- ENTER: Accepts selection, moving to next choice or back to measurement display.
- LOCK: Presses SHIFT then ESC button to prevent unpredictable operation on the panel. In order to release lock condition, please press ESC again.

3-3. The third row in SETUP section:

- CONFIG: Offers setting or adjusting function, relating some front panel buttons.
- MENU: Offers setting or adjusting function, not relating other front panel buttons.

4. RANGE:

- \triangle : Moves to higher range.
- ∇ : Moves to lower range.
- AUTO: Enables or disables auto-range.

5. Terminals: Selects input signal connections on front or rear panel.

6. Inserted Connections & Fuse Device:

- 4 Chassis Ground Connections: Separate environmental noises.
- **HI** & **LO**: Used for all measurements, except DC and AC current. (Maximum input voltage: 1000V for voltage measurements. 200V for 4-wire measurement)
- **LO** & **I**: Used for making DC and AC current measurements.
- Front Fuse: Secures your Meter against damage of strong current pulse. (Maximum current: 3A, 250V)

7. Chassis Ground Terminal:

- The chassis ground terminal is used for shielding the noise from the nature, especially when you want to get a very small signal via the application of a BNC-to-Banana Adapter. Please refer to the Figure 2-16.

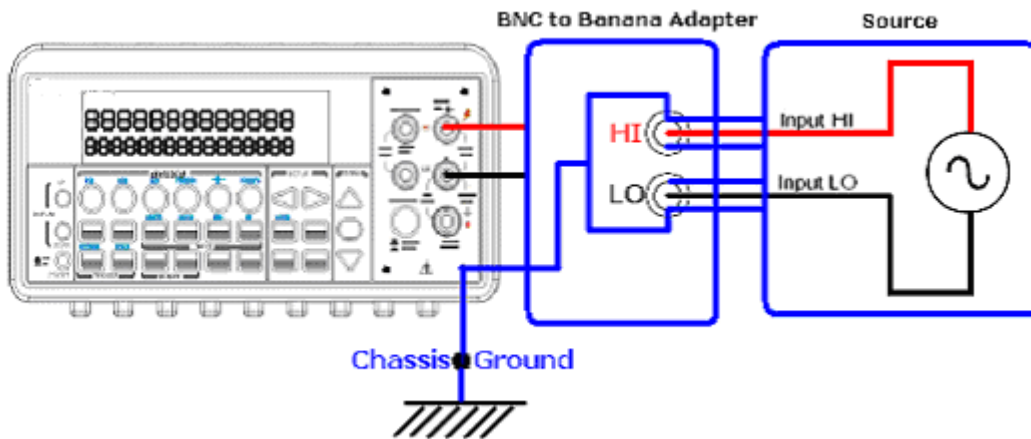


Figure 2-16

2.3.2 The Display

12061 has a 5x7 dot matrix, dual-display with three-color (White, Red and Yellow) annunciators for a better view. There are two rows in the dual-display screen. The upper row displays readings and units. A maximum 13 characters are allowed for upper row dot-matrix display. The lower row displays range of the measurements, condition or information about an ongoing configuration. A maximum 16 characters are allowed for lower row dot-matrix display. There are additional annunciators at upper side and right side of the display screen for indicating the state or the condition of an ongoing measurement. They are explained individually in the following sections.

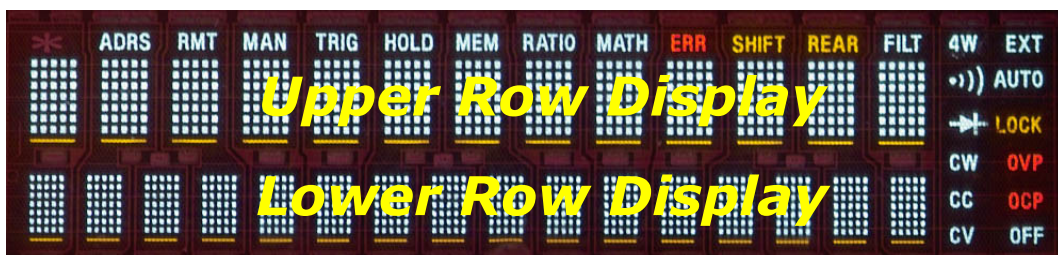


Figure 2-17

2.3.2.1 Annunciators at Upper Side



Figure 2-18

- ADRS: Indicates the multimeter is controlled via GPIB Interface.
- RMT (REMOTE): Indicates the remote state. (USB Interface)
- MAN: Indicates the manual range is taken.
- TRIG: Shows the single triggering is enabled.
- HOLD: Indicates reading hold function is enabled.
- MEM: Indicates the using of internal memory.
- RATIO: Indicates the dcv:dcv ratio operation.
- MATH: Indicates the "MATH" operation is taken.
- ERR: Error occurs.
- SHIFT: Indicates SHIFT button is pressed.
- REAR: The rear panel input terminal is selected for the measurement.
- FILT: The digital filter is started.

2.3.2.2 Annunciators at Right Side

- 4W: Indicates 4 –wire mode is selected for resistance measurement.
- •))): Indicated the continuity testing is enabled.
- →|: Indicates the diode testing operation is taken.
- CW: Not used for Model 12061.
- CC: Not used for Model 12061.
- CV: Not used for Model 12061.
- EXT: Indicates the External Trigger Mode is enabled.
- LOCK: Indicates the front panel menu operation is locked.
- OVP: Not used for Model 12061.
- OCP: Not used for Model 12061.
- OFF: Indicates the front panel display is turned off.

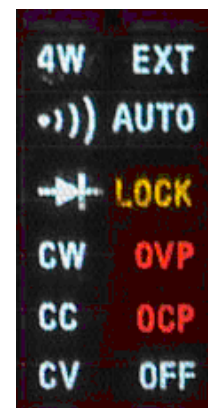


Figure 2-19

2.3.3 The Rear Panel

The rear panel of the 12061 is shown in **Figure 2-20**. This figure includes important abbreviated information that should be reviewed before using the instrument.

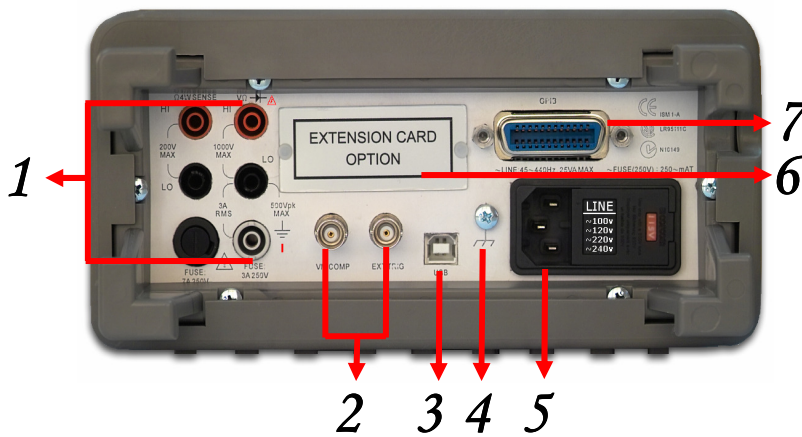


Figure 2-20

1. Inserted Connections & Fuse Device:

- **HI & LO:** Used for all measurements, except AC & DC current and temperature.
- **LO & I:** Used for making DC and AC current measurements.
- **Rear Fuse:** Secures your Meter against damage of strong current pulse.

2. BNC Connections:

- **VM COMP:** Voltmeter Complete Output Terminal. Outputs a low-true pulse after the completion of each measurement.
- **EXT TRIG:** External Trigger Input Terminal. Inputs a low-true pulse from a remote interface.

3. USB Connection: Connects a remote computer for changing operation environment instead of the front panel control.

4. Chassis Ground: Used for shielding the noise from the nature.

- 5. Power Module:** Contains the AC line receptacle, power line fuse, and line voltage setting. Configured for line voltages of 100/220V or 120/240V. (Depend on the power utility in your area.)
- 6. Option Slot:** Designed for installing an optional multi-point scanner card (Model: 12061-opt01).
- 7. Option GPIB/IEEE488 Connection:** Connects a remote computer with an IEEE488 cable for changing operation environment instead of the front panel control (Model: 12061-opt04).

3 Basic Measurement Function

This chapter introduces some basic measurement functions in 12061. You will learn how to use your 12061 multimeter to measure voltage, current, resistance, frequency, period, continuity, diode and temperature in this chapter.

3.1 Voltage Measurements (DC & AC)

The ranges for DC voltage measurements in 12061 are 100mV, 1V, 10V, 100V and 1000V. For AC voltage measurements, the ranges are 100mV to 750V AC-Coupled TRMS, or 1000V peak. **Figures 3-1** and **3-2** show the locations of the buttons needed and message display for voltage measurement. **Figure 3-3** shows the location of the input terminals on the rear panel.



Warning: Do not apply more than 1000V (peak) to the multimeter. Applying excess voltage may damage your meter, or cause possible electric shock or personal injury.

※ **Note:** To eliminate the thermal EMFs due to the differences between two metals, use copper leads to connect your source signal to the meter.

How to measure voltage

- ① Selects input signal connections on front or rear panel.
- ② Connect the test leads to the terminals as shown in **Figure 3-1**(DC) or **Figure 3-2** (AC).
- ③ Set RESOLUTION of DCV (Refer to 4.1.3), BAND WIDTH of ACV (Refer to 4.1.2.1) or skip this step if default is to be used.
- ④ Press DCV or ACV button for DC or AC voltage measuring.
- ⑤ Select the auto-range function by pressing AUTO button on the front panel or use \triangle ∇ buttons to select desired range.

- ⑥ Connect test leads to your source signal and observe the reading shown on the display. If the input signal is beyond the allowed range, an overflow message "OVL" will be displayed.

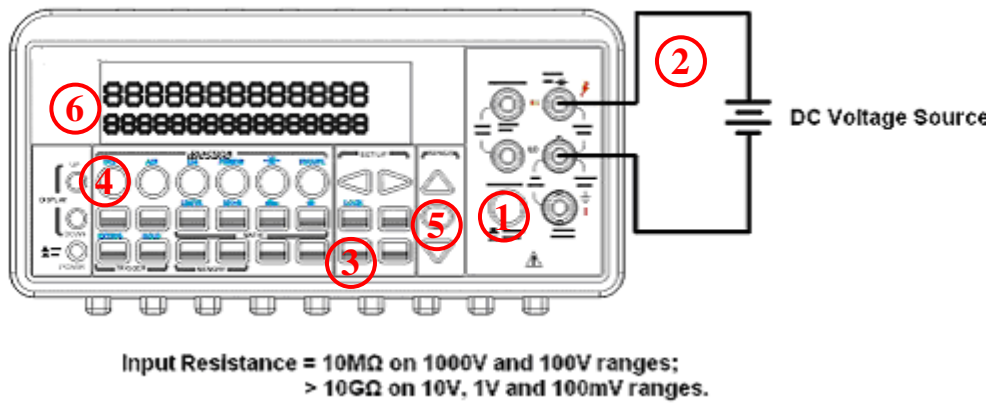


Figure 3-1

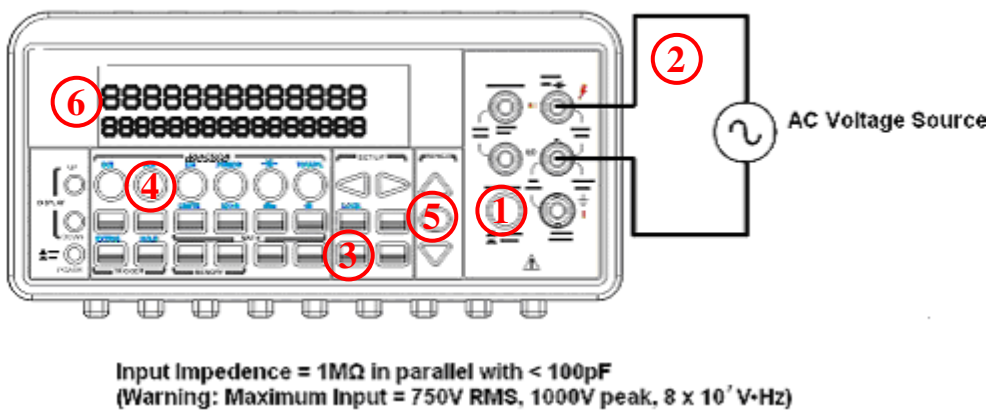


Figure 3-2

※ Note: The rear panel terminals can also be used via the same procedures as the front panel terminals. (Refer to Figure 3.3)

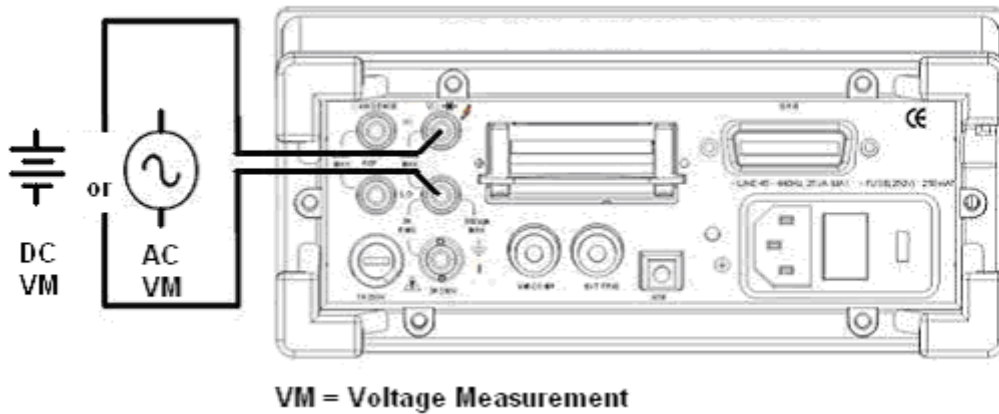


Figure 3-3

3.2 Current Measurements (DC & AC)

The ranges for DC current measurements in 12061 are 10mA, 100mA, 1A and 3A. For AC current measurements, the range is 1A with a sensitivity of 1 μ A to 3A AC-Coupled TRMS with a sensitivity of 10 μ A. **Figure 3-4** and **3-5** show you how to measure DC/AC currents in 12061.



Warning! The maximum input current allowed is 3A, 250V. Do not apply excess current to your meter to avoid damaging the fuse of current input.

※ **Note:** To eliminate the thermal EMFs due to the differences between two metals, use copper leads to connect your source signal to the meter.

How to measure current

- ① Selects input signal connections on front or rear panel.
- ② Connect the test leads to the terminals as shown in **Figure 3-4**.
- ③ Set RESOLUTION of DCI (Refer to 4.1.3), BANDWIDTH of ACI (Refer to 4.1.2.1) or skip this step if default is to be used.
- ④ Press SHIFT+DCV or SHIFT+ACV buttons for DCI or ACI measurement.
- ⑤ Select the auto-range function by pressing AUTO button on the front

panel or use Δ and ∇ buttons to select desired range.

- ⑥ Connect test leads to your source signal and observe the reading shown on the display. If the input signal is greater than the allowed range, an overflow message "OVLD" will be displayed.

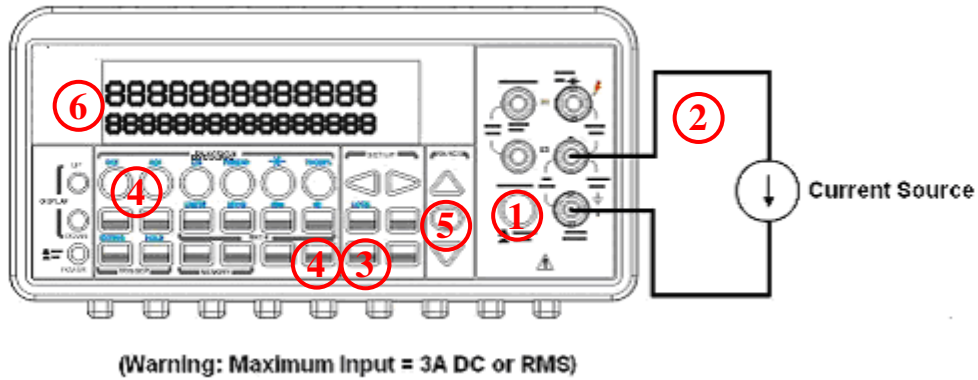


Figure 3-4

※ Note: The rear terminal panel also can be used via the same procedures as the front panel. (See Figure 3-5)

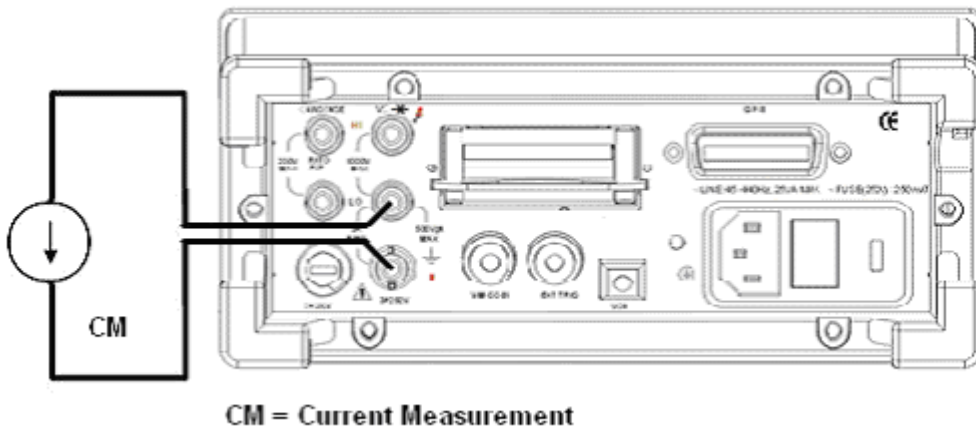


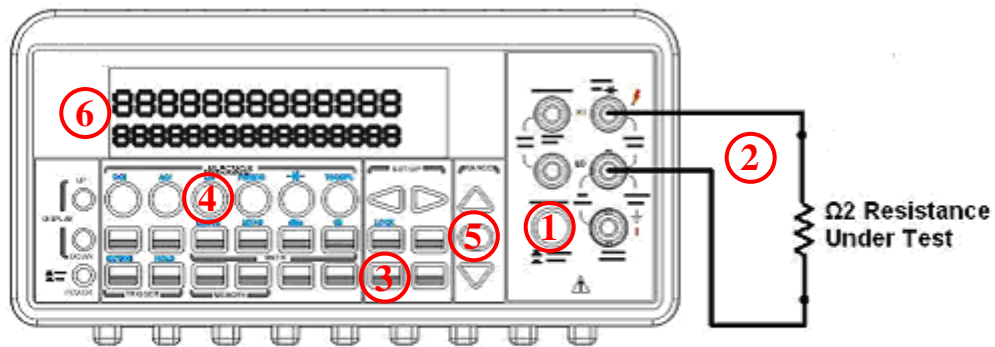
Figure 3-5

3.3 Resistance Measurements (2 & 4-wire)

The ranges for resistance measurement are 100 Ω , 1K Ω , 10k Ω , 100k Ω , 1M Ω , 10M Ω , and 100M Ω , with a sensitivity of 100 $\mu\Omega$ (on 100 Ω range.) There are two modes for measuring the resistance: 2-wire mode as shown in **Figure 3-6** and 4-wire mode as shown in **Figure 3-7**. With 4-wire mode, the test current is measured from the test resistance through one pair of the test leads, and the test voltage across the resistance under test is measured from another set of the test leads. As a result, the 4-wire mode is more accurate for low resistance measurements. The trade off is the longer settling time for 4-wire mode. **Figure 3-8** and **3-9** show the input terminal connections on the rear panel for 2-wire mode and 4-wire mode respectively.

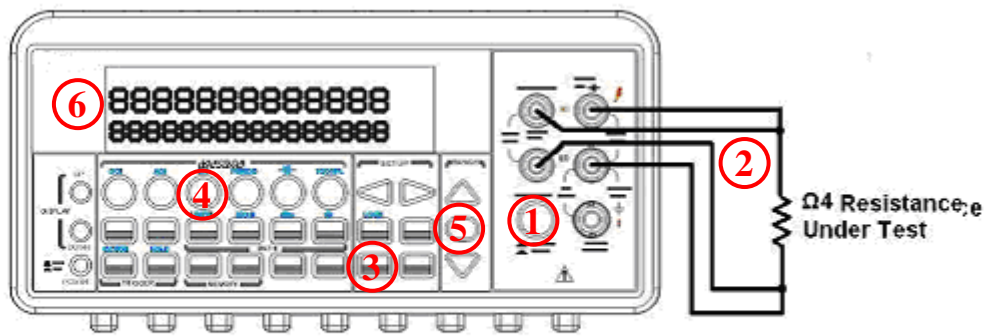
How to measure resistance

- ① Selects input signal connections on front or rear panel.
- ② Connect the test leads to the terminals as shown in **Figure 3-6** (2-wire) or **Figure 3-7** (4-wire).
- ③ Set RESOLUTION (Refer to 4.1.3) or skip this step if default is to be used.
- ④ Press $\Omega 2$ button for 2-wire measurement or SHIFT + $\Omega 2$ buttons for 4-wire measurement.
- ⑤ Select the auto-range function by pressing AUTO button on the front panel or use \triangle and ∇ buttons to select the desired range.
- ⑥ Connect test leads to your source signal and observe the reading shown on the display. If the input signal is greater than the allowed range, an overflow message "OVLD" will be displayed.



Note: Source current flows from the INPUT HI to INPUT LO terminals.

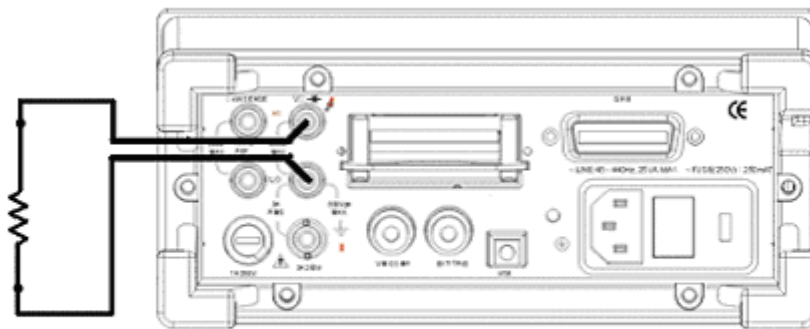
Figure 3-6



Note: Source current flows from the INPUT HI to INPUT LO terminals.

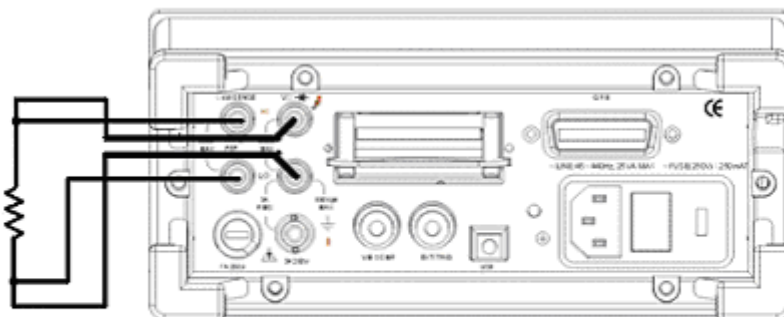
Figure 3-7

※ Note: The rear terminal panel also can be used via the same procedures like the front panel as shown in **Figures 3-8 and 3-9.**



2-wire resistance measurement

Figure 3-8



4-wire resistance measurement

Figure 3-9

3.4 Frequency & Period Measurements

12061 uses an on-board counter with 25MHz to measure the frequency (period). The measurement band is from 3Hz to 300kHz (or 333 ms to 3.3 μ s) and the measurement voltages range from 100mV to 750 V in AC. The default for "RANGE" is auto-range.

⚠ Warning! The maximum input allowed is 1000V. Applying excess voltage may damage your meter.

How to measure frequency and period

- ① Selects input signal connections on front or rear panel.
- ② Connect the test leads to the terminals as shown in **Figure 3-2**.

- ③ Set RESOLUTION (Refer to 4.1.1) and INPUT JACK. Or skip this step if default is to be used.
- ④ Press FREQ button for frequency measurement or SHIFT + FREQ buttons for period measurement.
- ⑤ Select the auto-range function by pressing AUTO button on the front panel or use \triangle and ∇ buttons to select the desired range.
- ⑥ Connect test leads to your source signal and observe the reading shown on the display. If the input signal is beyond the allowed range, an overflow message "OVLD" will be displayed.

※ Note: The rear terminal panel also can be used via the same procedures as the front panel. (Please refer to **Figure 3-3**)

3.5 Continuity Measurements

12061 uses 1 K Ω range for the continuity measurement. The meter beeps when the test resistance is less than the threshold resistance. The default threshold resistance is 10 Ω , but you can set the threshold resistance to anything between 1 Ω and 1 K Ω . The resistance value set by you is stored in a volatile memory and will be cleared after the meter has been turned off. The source current for the continuity measurement is 1 mA.



Warning! The maximum input voltage allowed is 1000 V. Applying excess voltage may damage the meter and cause unpredictable hazards.

How to measure the continuity

Selects input signal connections on front or rear panel.

- ① Connect the test leads to the terminals as shown in **Figure 3-2**.
- ② Set REConnect the input signal as the following figure.
- ③ Set threshold resistance via pressing CONFIG + CONT buttons. (Or skip this step if default resistance is to be used) When ready, press ENTER button.
- ④ Press CONT button.
- ⑤ The measured value will be shown on the display automatically. Meter "beeps" when measured resistance value is lower than threshold

value.

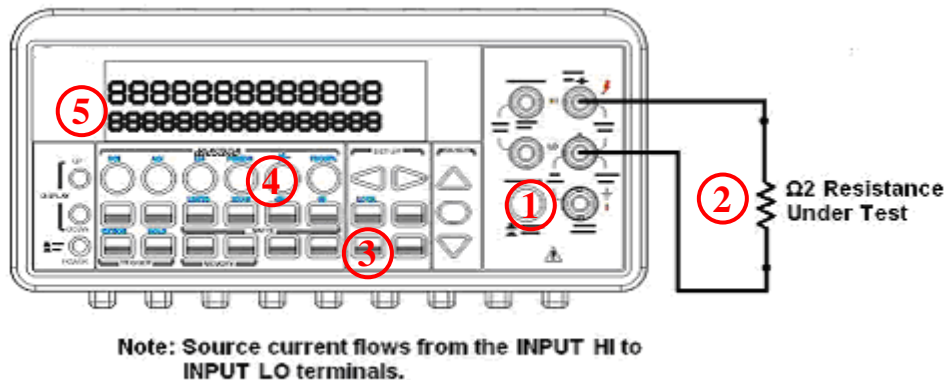


Figure 3-10

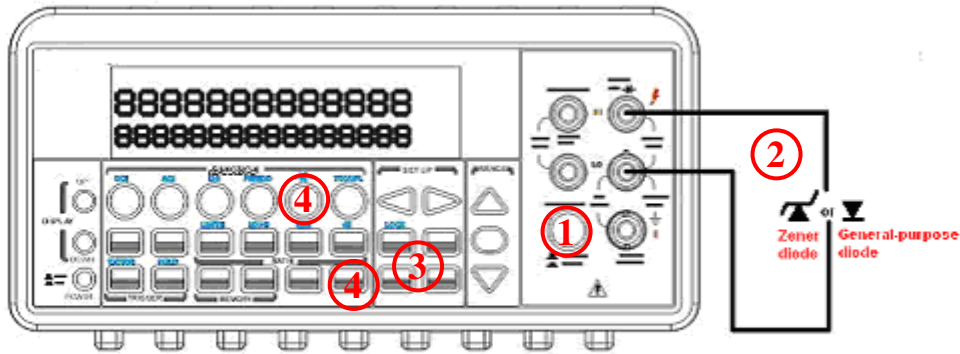
3.6 Diode Measurements

12061 uses a current source of 1 mA for diode testing. The maximum resolution is 10 μV on a fixed range of 1 V DC. The default threshold voltage is fixed between 0.3 and 0.8 volts and the reading rate is fixed at 0.1 PLC (The voltage bound is adjustable from 0.01V up to 1.2V.). A “Beep” sound will appear when the diode measured value is in the range.

⚠ Warning! Positive end of the source signal is to be connected to HI of the input terminals, and the negative end to LO of the input terminals.

How to measure diode

- ① Selects input signal connections on front or rear panel.
- ② Connect the diode to the terminals. For forward bias, connect the probe from input terminal “HI” to the positive end of the diode, and connect the probe from input terminal “LO” to the negative end of the diode.
- ③ Set voltage bound via pressing CONFIG + SHIFT + CONT buttons. When ready, press ENTER. (Or skip this step if you wish to use the default voltage bound.)
- ④ Press SHIFT + CONT buttons to select the diode testing function and observe the reading on the display.



Note: Source current flows from the INPUT HI to INPUT LO terminals.

Figure 3-11

3.7 Temperature Measurements

The 12061 supports thermocouples and resistance temperature detector (RTD) types of probes. For thermocouples, 12061 supports 7 types: E, J, K, N, R, S and T. Please refer to **Table 3-1** for their temperature ranges. Be sure that the temperature function is configured for the right sensor type before making measurements (Refer to 4.1.8 for how to make the sensor configuration).

In general, RTDs have a better accuracy and long-term stability than thermocouples. The default RTD type in 12061 is PT100 (Temperature Range: **-200~850**) and the thermocouple is type K.

Table 3-1
(Temperature Ranges for Each Thermocouple Type)

<i>Sensor Type</i>	<i>Temperature Range(°C)</i>
E	-250~1000
J	-210~1200
K	-200~1372

<i>Sensor Type</i>	<i>Temperature Range(°C)</i>
E	-250~1000
J	-210~1200
N	-200~1300
R	0~1767
S	0~1767
T	-250~400

3.7.1 Thermocouple Measurements

Connect the thermocouple adapter to the banana jacks on the front panel. The difference between each type is subject to the patch thermal leads.

※ Note: Only connection via the front panel can be used for temperature measurements.

How to measure thermocouple

- ① Use terminals switch to select terminals on the front panel.
- ② To measure thermocouple, you must use a thermocouple adapter and a sensor, (K type for example), with the low thermal patch lead as shown in **Figure 3-12**.
- ③ Configure the thermocouple type and unit using CONFIG + SHIFT + TEMP, such as K TYPE and °C. When ready, press ENTER button.

- ④ Press SHIFT + TEMP buttons.
- ⑤ Take the reading on the display.

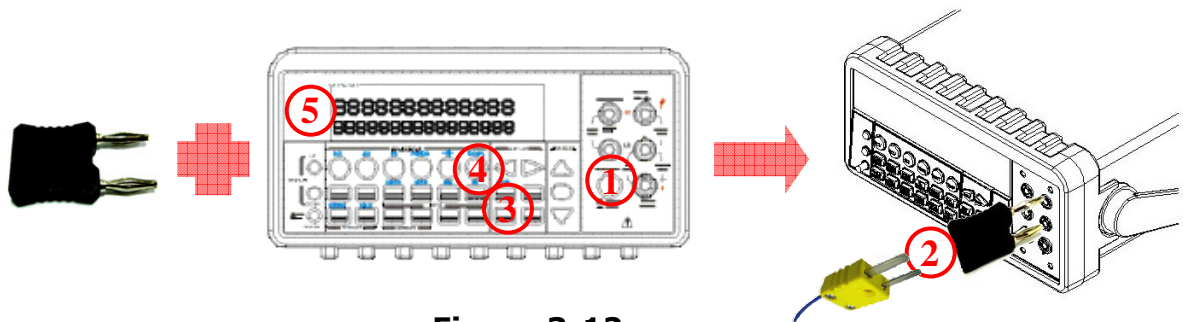


Figure 3-12

3.7.2 RTD Measurements

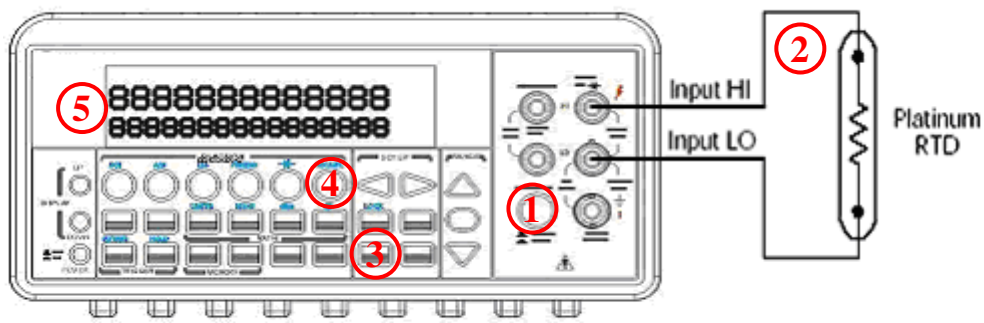
There are three kinds of temperature measurements with RTDs: 2-wire, 3-wire and 4-wire measurements. You will find connection instructions and measuring procedures in the following sections.

3.7.2.1 2-Wire RTD Measurements

How to measure temperature with 2-Wire RTD

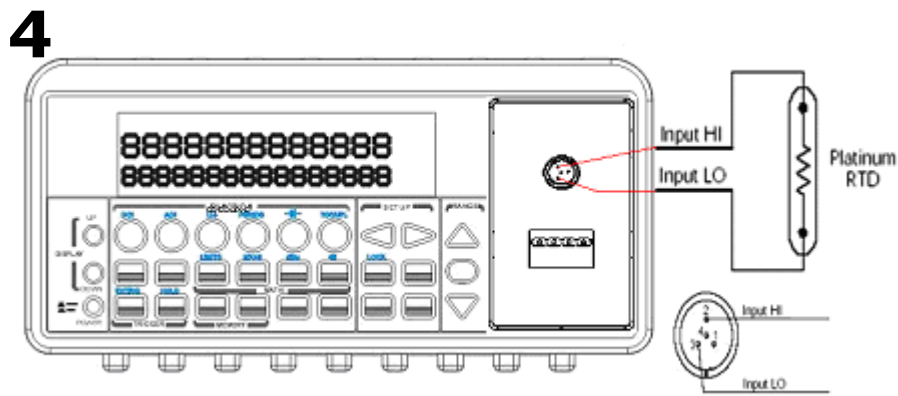
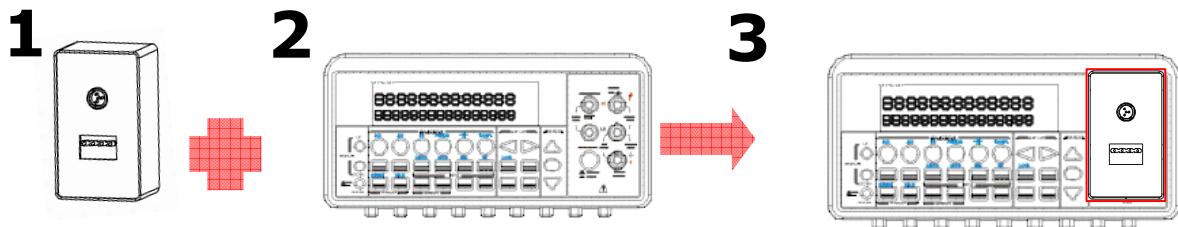
The following **Figure 3-13** shows theory diagram of 2-Wire RTD measurement.

- ① Use terminals switch to select front terminals.
- ② Insert a specified adapter into the front terminals. Connect the low thermal patch leads to the adapter as shown in **Figure 3-14**.
- ③ Configure sensor type,transducer (2W) and unit using CONFIG + TEMP and ◀ or ▶. When ready, press ENTER button. For more information, refer to the section 4.1.8.
- ④ Press TEMP button.
- ⑤ Place RTD in the desired position and take the reading on the display.



Note: Source current flows from the INPUT HI to INPUT LO terminals.

Figure 3-13



5

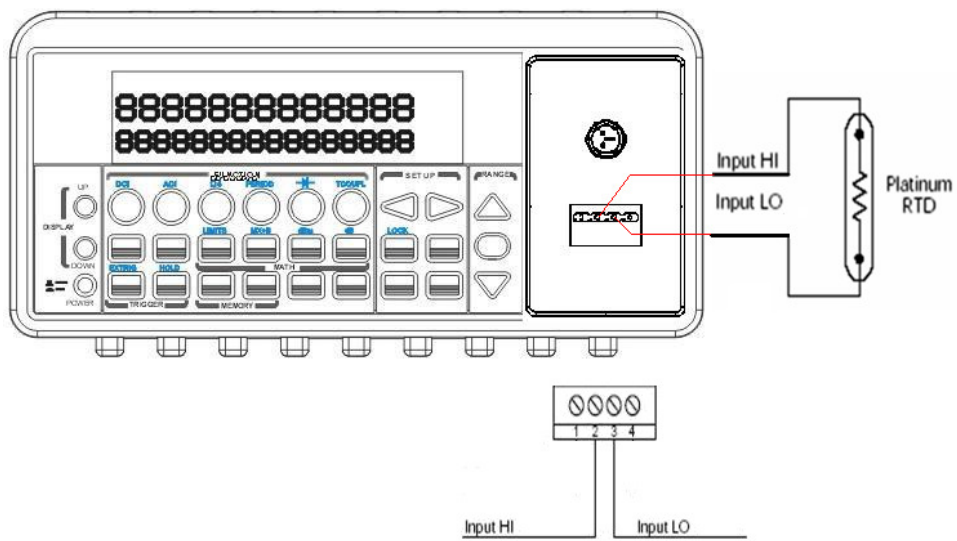


Figure 3-14

3.7.2.2 3-Wire RTD Measurements

How to measure temperature with 3-Wire RTD

The following **Figure 3-15** shows theory diagram of 3-Wire RTD measurement.

- ① Use terminals switch to select front terminals.
- ② Insert a specified adapter into the front terminals. Connect the low thermal patch leads to the adapter as shown in **Figure 3-16**.
- ③ Configure sensor type, transducer (4W) and unit using CONFIG + TEMP and ◀ or ▶. When ready, press ENTER button. For more information, refer to the section 4.1.8.
- ④ Press TEMP button.
- ⑤ Place RTD in the desired position and take the reading on the display.

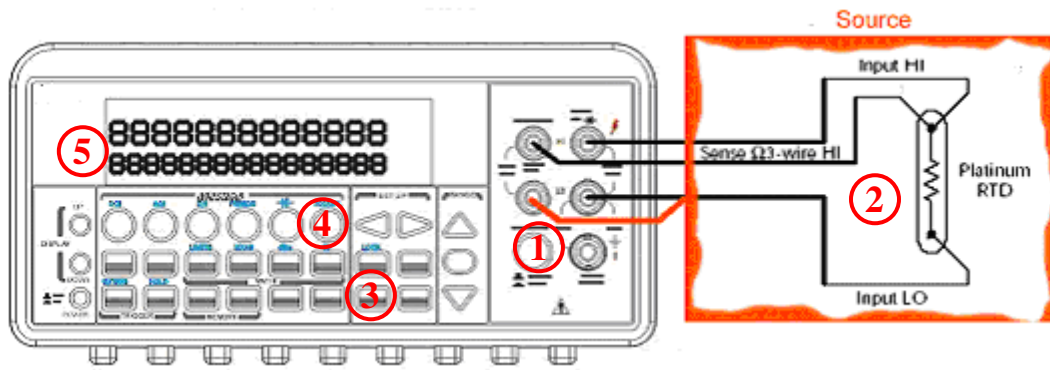
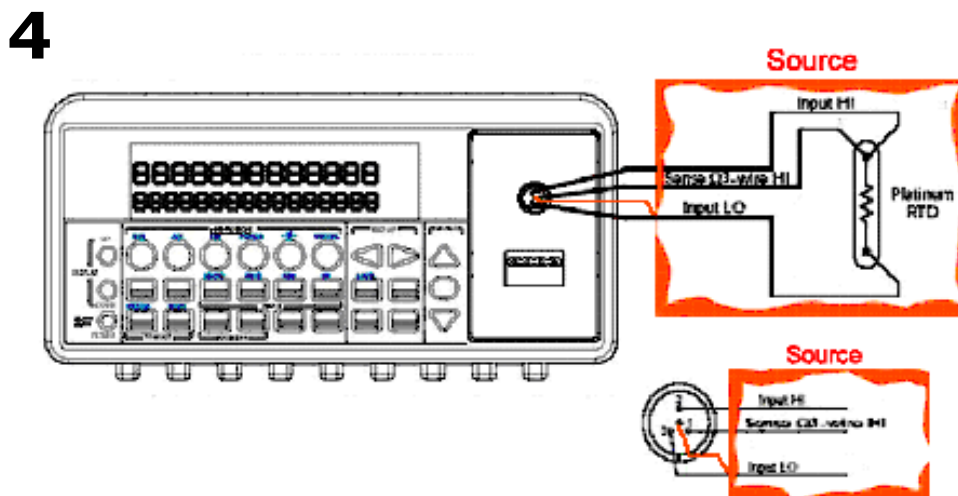
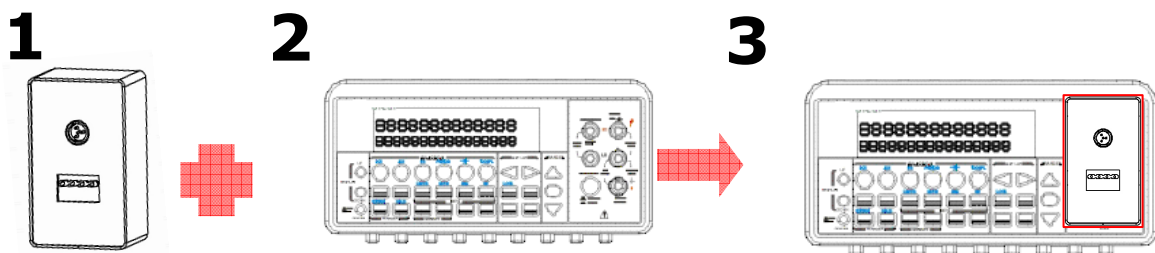


Figure 3-15



5

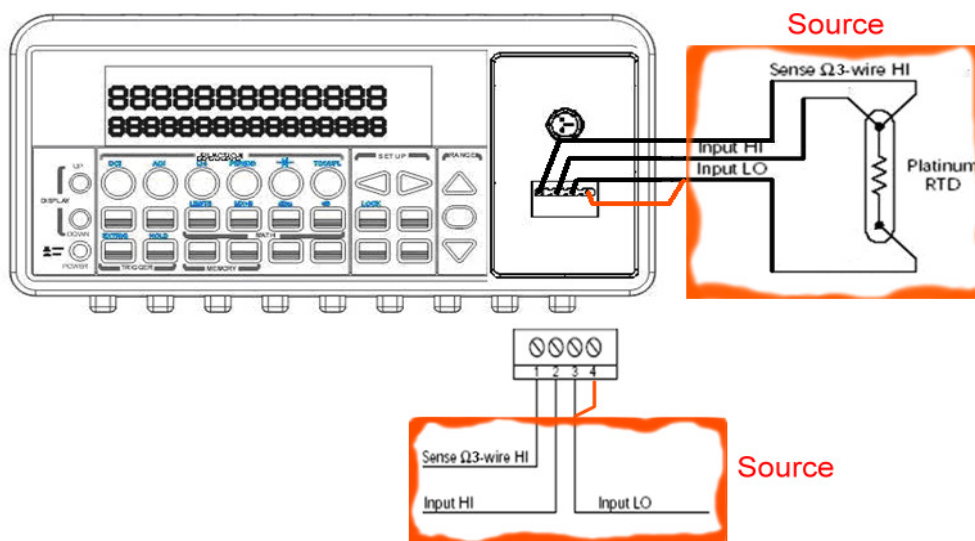


Figure 3-16

3.7.2.3 4-Wire RTD Measurements

How to measure temperature with 4-Wire RTD

The following **Figure 3-17** shows theory diagram of 4-Wire RTD measurement.

- ① Use terminals switch to select front terminals.
- ② Insert a specified adapter into the front terminals. Connect the low thermal patch leads to the adapter as shown in **Figure 3-18**.
- ③ Configure sensor type, transducer (4W) and unit using CONFIG + TEMP and ◀ or ▶. When ready, press ENTER button. For more information, refer to the section 4.1.8.
- ④ Press TEMP button.
- ⑤ Place RTD in the desired position and take the reading on the display.

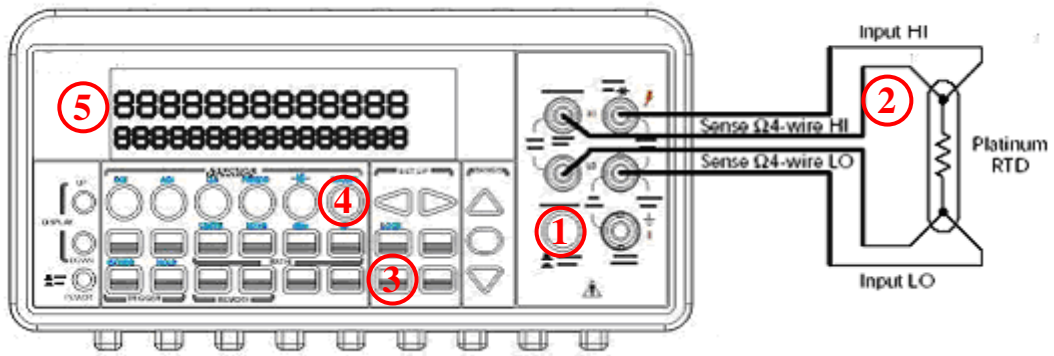
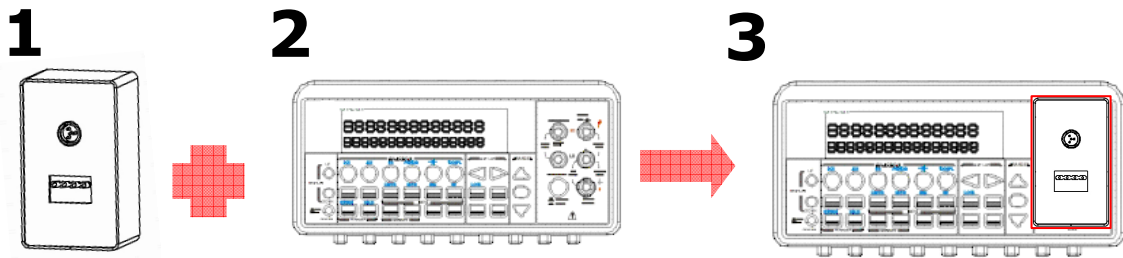
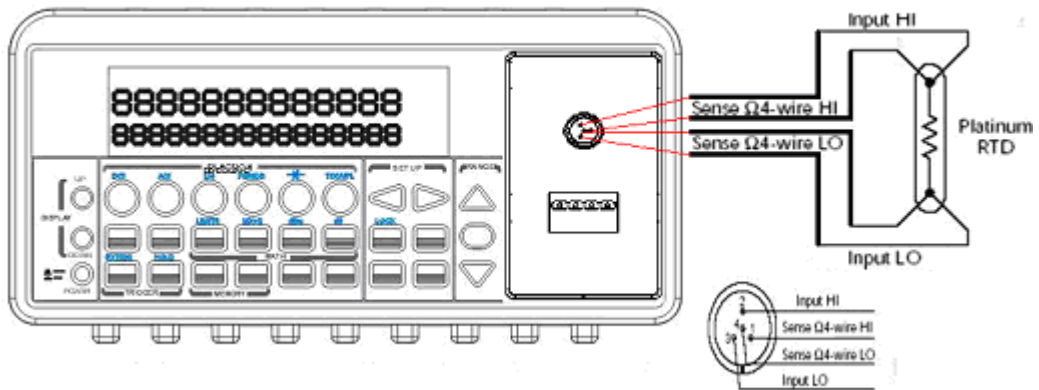


Figure 3-17



4



5

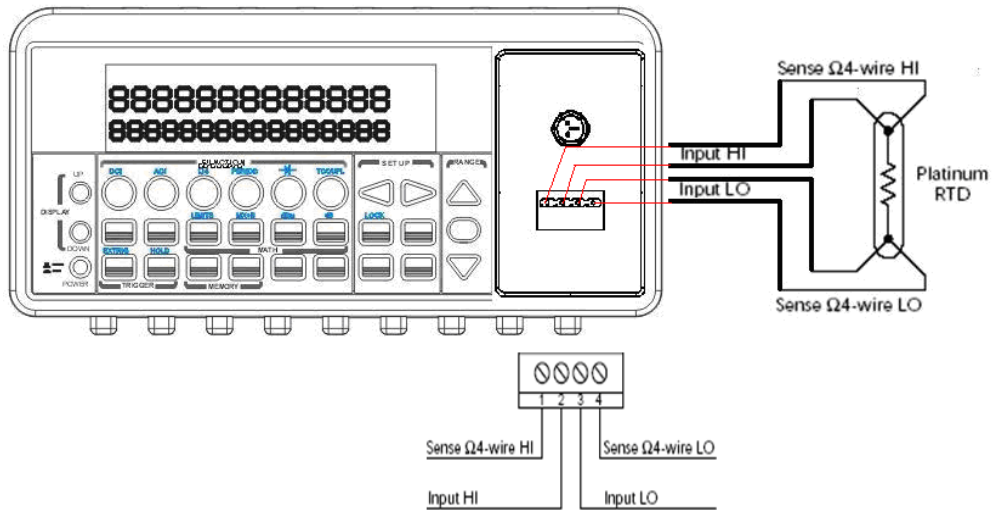


Figure 3-18

4 Front Panel Operations

This chapter contains information about how to change the parameters and settings for your measurements and all the details about each feature and function.

4.1 Measurement Configuration

The following information will guide you through ways to configure measurement functions. It provides you the flexibility to change any parameter in any measurement function when needed, including ADC setting, filter, resolution setting (digits), DC input resistance, threshold resistance (continuity), range (manual & auto), rate (integration time), sensor type for temperature measurements, remote interface selection and input terminal switch.

4.1.1 Set ADC (Auto Zero)

Zero

The purpose of Auto Zero function is used for minimizing the offset influence on your measurements. When Auto Zero is enabled, 12061 takes the input signal reading as a base value and then internally disconnects the input signal, and takes a offset reading (a null offset). It then subtracts the offset from the base to get an accurate measurement.

$$\text{Displayed reading} = \text{Base value (input signal)} - \text{Offset value}$$

When the Auto Zero is enabled the meter takes an offset reading for each subsequent measurement. However, when Auto Zero is disabled, the meter only takes one offset reading each time when you change the function settings.

Defaults

The default settings for Auto Zero are enabled. The user selected values for Auto Zero are stored in a volatile memory and the default settings will be restored when the meter is power-off.

How to set Auto Zero

You can change the Auto Zero setting through the front panel or through the remote interface operation.

Front Panel Operation

The following steps show how to set Auto Zero directly through the front panel.

Be aware that Auto Zero setting is always affected by the resolution setting. Whenever the resolution is altered, Auto Zero may be changed accordingly. The relation between resolution and Auto Zero is shown in **Table 4-1**.

Press MENU and then ENTER on SET ADC. If "SET ADC" is not shown on the display, use ◀ and ▶ buttons to locate it. Press ENTER on ZERO. Again, use ◀ and ▶ buttons to locate it if it is not shown on the display. Press ENTER on AUTO ZERO option and then use ◀ and ▶ to the "ON" or "OFF". Press "ENTER" by your choice. The locations of these buttons are shown with red rectangle frames in **Figure 4-1**.

Procedures: MENU→SET ADC → ZERO→ AUTO ZERO {ON|OFF}

Table 4-1

Integration Time(PLC)		Resolution	Auto Zero	Remote Digits Displayed	
DEFAULT	COMPATIBLE			DEFAULT	COMPATIBLE
0.02	0.02	Fast 4 ½ digits	Off	4 ½	4 ½
0.1	1	Slow 4 ½ digits	On	4 ½	5 ½
0.1	0.1	Fast 5 ½ digits	Off	5 ½	5 ½
1	10	Slow 5 ½ digits	On	5 ½	6 ½

1	10	Fast 6 ½ digits	On	6 ½	6 ½
10	10	Slow 6 ½ digits	On	6 ½	6 ½

※ Note: To change resolution, refer to Section 4.1.3: Resolution Setting in this chapter.

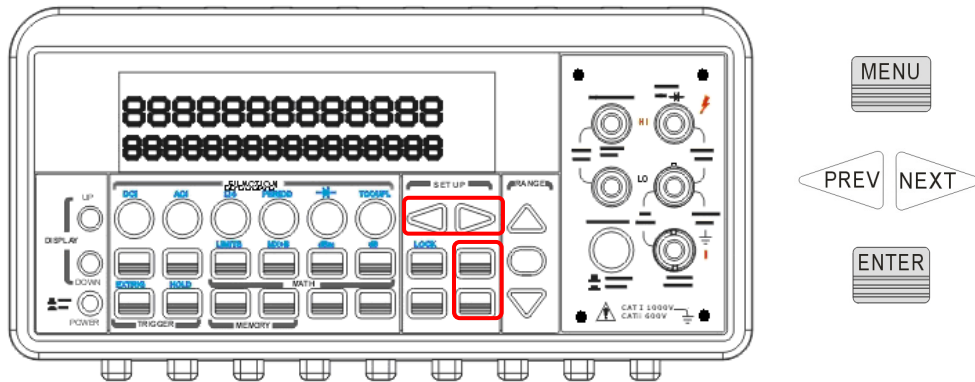


Figure 4-1

Remote Interface Operation

To set Auto Zero through the remote interface, use the following commands:

SENSe:ZERO:AUTO {OFF|ONCE|ON}

The OFF and ONCE parameters have a similar effect. Auto Zero OFF doesn't issue a new offset measurement. However, Auto Zero ONCE issues an immediate offset measurement.

4.1.2 Filter

Filter is used to remove noises in measurement readings. 12061 is equipped with two types of filters: AC filter and digital filter. AC filter is for AC measurements only. It also affects the speed of the multimeter to yield a measurement reading. Digital filter further stabilizes the measurement readings by averaging. Both of them are described in

detail in the subsequent sections respectively.

4.1.2.1 AC Filter

Definition:

You are allowed to set the bandwidth for selecting one of the three AC filters (Slow, Medium and Fast), in order to achieve either higher accuracy in low frequency measurements or faster AC settling time.

Defaults

The factory default is 20 Hz (Medium). You can select their filter type as they wish when setting bandwidth value. The selection is stored in a volatile memory and the default setting will be restored when the meter is power-off.

<i>Bandwidth</i>	<i>AC Filter</i>	<i>Time</i> <i>(seconds per reading)</i>
3 Hz ~ 300 KHz	Slow	7
20 Hz ~ 300 KHz	Medium	1
200 Hz ~ 300 KHz	Fast	0.1

Table 4-2

How to set AC Filter in AC measurements:

You can set the AC Filter either through the front panel operation or through the remote interface operation.

Front Panel Operation

Press CONFIG + ACV button. Use ◀ and ▶ buttons to locate "BAND WIDTH" submenu, and then press ENTER to select it. Look for the desired bandwidth using ◀ and ▶ buttons. Then press ENTER on your selection. There are three options: 3Hz, 20Hz and 200Hz. The locations of these buttons are shown with red rectangle frames in **Figure 4-2**.

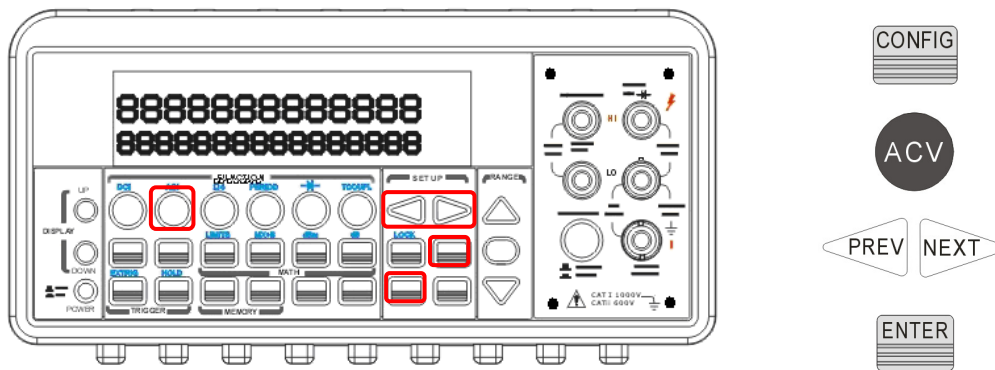


Figure 4-2

Remote Interface Operation

From your PC terminal, use the following command to specify the filter type:

DETECTOR:BANDwidth {3|20|200|MIN|MAX}

4.1.2.2 Digital Filter

Definition:

12061 uses an averaging digital filter to yield a reading for display from a specified number of measurement readings in the past. The past measurement readings are stored in a stack of memory. The number may be in the range of 2 to 100. You may select one of the two modes of digital filter operations: Moving Average and Repeating Average.

The moving average filter puts the specified number of reading conversions in a first-in, first-out order. The very first measurement reading simply fills up the stack. To yield a reading for display, the filter produces an average of the stacked measurement readings every time a new measurement reading is available and replaces the oldest reading in the stack. In the repeating average mode, the multimeter waits for the measurement reading stack to fill up and then take an average to produce a reading for display. It then flushes the stack and starts over with an empty stack. Consequently, the repeating digital filter yields one reading for display every specified number of measurement readings.

Digital filter is not available for diode, continuity, frequency and period

measurements.

Default

The digital filter is enabled and is in moving average mode with 10 readings by default.

How to enable/disable digital filter

Press FILTER button to switch the digital filter function. The "FILT" annunciator indicates the state of the digital filter. When it is lit, the filter is enabled.

How to configure digital filter:

You can configure the digital Filter either through the front panel operation or through the remote interface operation.

Front Panel Operation

For READINGS setting, please press CONFIG and then FILTER button for selecting READINGS. Press ENTER to access. Use ◀, ▶, ▲ and ▼ buttons to set the READINGS (from 2 to 100) in order to get an average value. Press ENTER when it's ready.

For MODE setting, please press CONFIG and then FILTER button for selecting MODE. Press ENTER to access. Use ◀, ▶ to select MOVING AVG. or REPEAT AVG.. Please ENTER to confirm.

Press FILTER button to enable or disable this function.

Remote Interface Operation

Use the following commands to set your digital filter:

SENSe:AVERAge:TCONtrol {MOVing|REPeat}

SENSe:AVERAge:TCONtrol?

SENSe:AVERAge:COUNT {<value>|MINimum|MAXimum}

SENSe:AVERAge:COUNT? [MINimum|MAXimum]

SENSe:AVERAge:STATe {OFF|ON}

SENSe:AVERAge:STATe?

4.1.3 Resolution Setting (Digits)

Definition

While measuring DC and resistance, resolution with the number of digits on a multimeter is visible. You can select the resolution for a specific measurement. The choices for the resolution setting are: fast 4.5, slow 4.5, fast 5.5, slow 5.5, fast 6.5 and slow 6.5. For a higher accuracy, you can select 6.5 digit resolution. For a faster measurement, you can select 4.5 digit resolution.

While measuring ACI & ACV, the default is 5.5 digits. Under frequency and period measurements, the way of the Aperture Time and the Gate Time are similar to the integration time's. You can set 10ms at 4.5, 100ms at 5.5, and 1s at 6.5.

The resolution setting applies to all math operations under the selected measurement function. The selected value is stored in a volatile memory and the setting is only valid for the current measurement function. You can select different resolution for different measurement function.

Default

The default value for the resolution is slow 5.5 digit and the default value will be restored when the meter has been turned off or after a remote interface reset. The user selected value for the resolution setting is stored in a volatile memory and the setting is only valid for the current measurement function. Please refer to **Table 2-1** on page 24.

How to set the resolution

The resolution can be set either through the front panel or the remote interface operation.

Front Panel Operation

There are two ways to set the resolution. The locations of the buttons are shown with red rectangle frames in **Figure 4-3**.

A.

- First select your desired measurement function by pressing one of the function buttons located on the first row of your meter's front panel.
- Press DIGITS button to select your desired resolution for your measurement. You can press DIGITS button several times to see how the resolution setting changes from 4.5, 5.5 to 6.5.

※ Note: When using Method A to change the digits on DCV, DCI, 2W, 4W, Frequency, Period, ACV, and ACI functions, the default will be applied like the following.

- DCV, DCI, 2W, and 4W: 4.5 (SLOW), 5.5 (SLOW), and 6.5 (FAST)
- Frequency, and Period: 4.5 (SLOW), 5.5 (SLOW), and 6.5 (SLOW)
- ACV, and ACI: The digits will be revealed or masked only.

B.

- Press CONFIG and then select a function as you wish from DCV, DCI (SHIFT +DCV), Ω 2, Ω 4 (SHIFT + Ω 2), FREQ and PERIOD (SHIFT + FREQ).
- Press ENTER on RESOLUTION submenu. If it is not shown on the display, use \triangleleft and \triangleright to locate it.
- Use \triangleleft and \triangleright to find your desired resolution. Press ENTER on your choice.

※ Note: The options for frequency and period measurements are 4.5 (slow), 5.5 (slow) and 6.5 (slow).

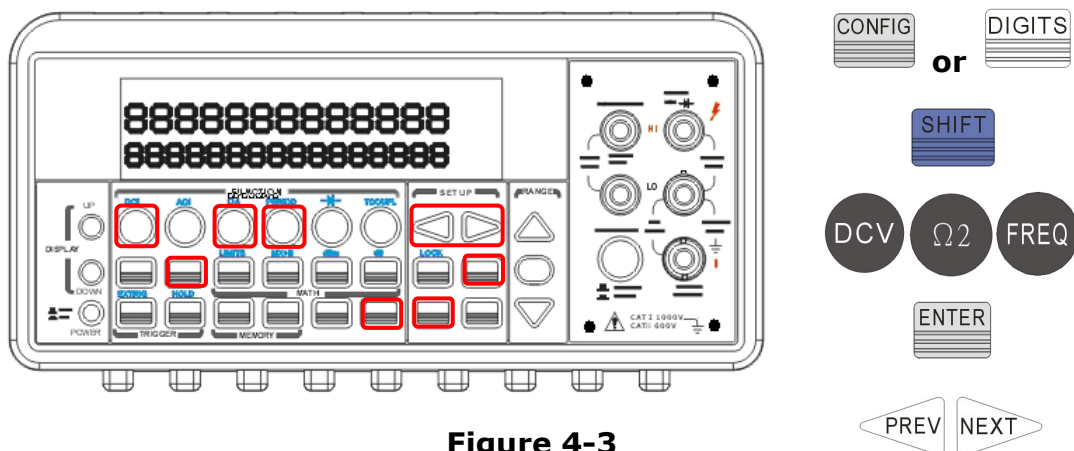


Figure 4-3

Remote Interface Operation

Use the following commands on your PC terminal to set the resolution for

your measurement.

CONFigure:<function> <range>,<resolution>

MEASure:<function>? <range>,<resolution>

SENSe:<function>:RESolution <resolution>

FREQuency:APERture {0.01|0.1|1|MIN|MAX}

PERiod:APERture {0.01|0.1|1|MIN|MAX}

You can specify the resolution in the same units as the measurement function, not in number of digits. For instance, specify the resolution in volts and the frequency in hertz. The examples are in the following.

CONF:VOLT:DC 10,0.001 (4 1/2 digits on the 10 Vdc range)

MEAS:CURR:AC? 1,1E-6 (6 1/2 digits on the 1 A range)

CONF:FREQ 1 KHz,0.1 Hz (1000 Hz input, 0.1 Hz resolution)

VOLT:AC:RES 0.05 (50 mV resolution on the ac function)

4.1.4 DC Input Resistance

Definition

To reduce the effect of loading errors due to the input resistance, 12061 allows you to select a much larger input resistance (> 10G Ω) for low input DC voltage (100mV, 1V and 10V) measurements. This feature is only available for DC voltage measurements and it is not applicable to other measurement functions.

Default

The default input resistance for all measurements is 10M Ω . Please refer to **Table 2-1** on page 24. The DC input resistance can only be changed for measurements with 100mV, 1V or 10V range. For 100V DCV, 1000 V DCV and other measurement functions, the input resistance is fixed at 10M Ω and can not be changed. Also note that the user selected value is stored in a volatile memory. The default setting will be restored after the meter has been turned off.

How to set the DC input resistance

You can set the DC input resistance either through the front panel operation or through the remote interface operation.

Front Panel Operation

Press CONFIG + DCV , and then use ◀ and ▶ buttons to locate "INPUT R" option. Press ENTER to select it. Then select desired value for the input resistance by pressing ◀ or ▶ button. Press ENTER to choose it. Two values are available: 10M Ω or > 10G Ω. The locations of these buttons are shown with red rectangle frames in **Figure 4-4**.

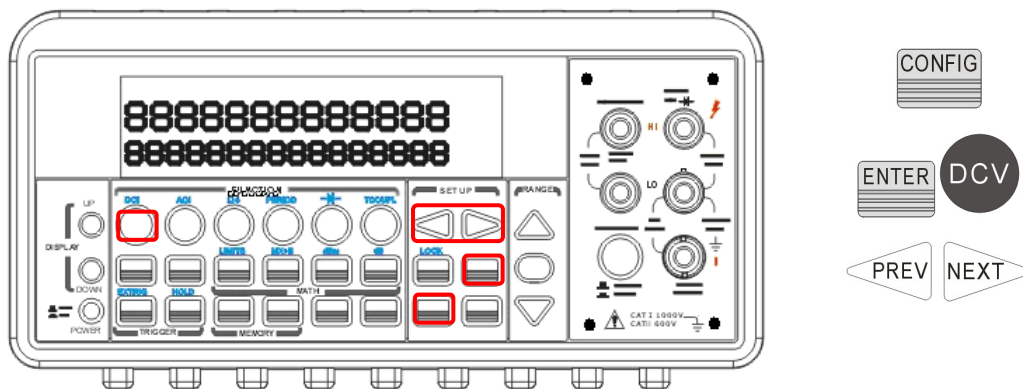


Figure 4-4

Remote Interface Operation

The automatic input resistance mode can be enabled / disabled. With AUTO OFF (default), the input resistance is fixed at 10MΩ for all ranges. With AUTO ON, the input resistance is set to >10GΩ for the three lowest DC voltage ranges (100mV, 1V and 10V). Use the following command from your PC terminal to disable the auto input DC resistance setting (the result is a fixed input DC resistance at 10M Ω for all measurements.)

INPut:IMPedance:AUTO {OFF | ON}

4.1.5 Threshold Resistance (Continuity)

Definition

When testing continuity, the beeper goes off when the measured resistance is less than the threshold resistance. The threshold resistance

can be set to any value between 1Ω and 1000Ω .

Default

The factory default for continuity threshold resistance is 10Ω . User's selection is stored in a volatile memory and the default value will be restored after the meter has been turned off.

How to set the threshold resistance

You can change the threshold resistance only through the front panel. Press CONFIG button and then CONT button. Use \triangleleft and \triangleright buttons to move through the digits and lower or increase the number to your desired value using \triangle and ∇ buttons, then press ENTER button to set the value. The locations of these buttons are shown with red rectangle frames in **Figure 4-5**.

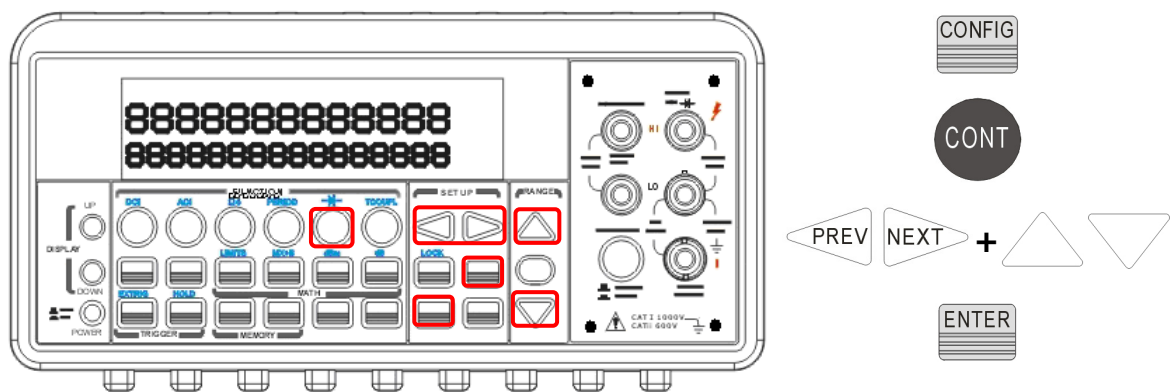


Figure 4-5

4.1.6 Range (Manual and Auto)

Definition

When making measurements except CONT, DIODE and Temperature, you can let the machine choose ranges for you, or you can select the appropriate ranges manually by yourself. The difference between auto-range and manual-range is the settling time. Auto-range is a convenient way for you, but manual-range can usually speed up the process.

If the input signal is beyond allowed range, an "OVL" message will be

shown on the display. The threshold of maximum/minimum readings for each range are 120 % of the range for maximum and 10% of the range for minimum.

Default

The default is auto-range. The user selected range is stored in volatile memory and the default will be restored when the meter is power-off. Please refer to **Table 2-1** on page 24 for the factory default range.

How to set the auto / manual range:

You can set the auto / manual range either through the front panel operation or through the remote interface operation.

Front Panel Operation

First choose a measurement function on the front panel, then press "AUTO" button to select auto-range feature. Or use \triangle and ∇ buttons to manually select a range. If selected range is not shown on the bottom of the display, press round PREV or NEXT buttons until the range information appears. The locations of these buttons are shown with a red rectangle frame in **Figure 4-6**.

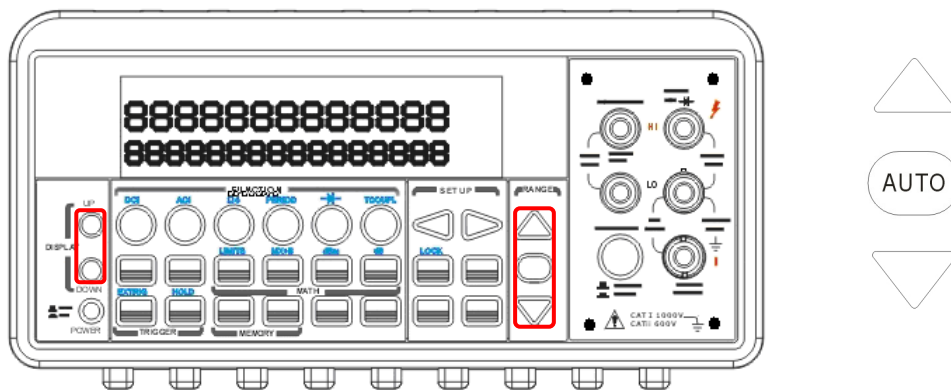


Figure 4-6

Remote Interface Operation

Use the following commands from your PC terminal to set the range:

CONFigure:<function> <range>,<resolution>

MEASure:<function>? <range>,<resolution>

SENSE:<function>:RANGe <range>

SENSe:<function>:RANGe:AUTO {OFF|ON}

4.1.7 Rate (Integration Time)

Definition

Integration time is the period of time the analog-to-digital (A/D) converter takes to sample the input signal. The integration time feature allows you to optimize either the speed or the resolution, as well as the noise rejection and the accuracy of the measurement. The unit of the integration time is in PLC (power line cycles). One PLC for 60 Hz is 16.67 ms, and for 50 Hz is 20 ms.

There are 4 different integration times in 12061 for you to select from: 0.02, 0.1, 1 and 10 PLCs.

Default

For DCV, DCI, and resistance measurement, the default integration time is 1 PLC. The user selected value is stored in a volatile memory and the default value will be restored when the meter is power-off.

How to set the integration time:

You can set the integration time either through the front panel operation or through the remote interface operation.

Front Panel Operation

Integration time is set indirectly when you selects the measurement resolution. Please refer to chapter 4.1.3 for details about how to set resolution or the digits. **Table 4-1** on page 51 shows the relationship between the resolution and the integration time.

Remote Interface Operation

Use the following commands on your PC terminal to set the resolution.

CONFigure:< function> <range>, <resolution>

MEASure:< function>? <range>, <resolution>

SENSe:< function>:RESolution <resolution>

Or you can set integration time directly by the following commands.

SENSe:VOLTage:DC:NPLCycles {0.02|0.1|1|10|MINimum|MAXimum}
SENSe:VOLTage:DC:NPLCycles? [MINimum|MAXimum]
SENSe:CURRent:DC:NPLCycles {0.02|0.1|1|10|MINimum|MAXimum}
SENSe:CURRent:DC:NPLCycles? [MINimum|MAXimum]
SENSe:RESistance:DC:NPLCycles {0.02|0.1|1|10|MINimum|MAXimum}
SENSe:RESistance:DC:NPLCycles? [MINimum|MAXimum]
SENSe:FRESistance:DC:NPLCycles {0.02|0.1|1|10|MINimum|MAXimum}
SENSe:FRESistance:DC:NPLCycles? [MINimum|MAXimum]

For frequency and period measurements, aperture time (or gate time) is analogous to integration time, and you can use the following commands to set it. Specify 10 ms (4.5 digits), 100 ms (default; 5.5 digits), or 1 second (6.5 digits).

SENSe:FREQuency:APERture {0.01|0.1|1|MINimum|MAXimum}
SENSe:FREQuency:APERture? [MINimum|MAXimum]
SENSe:PERiod:APERture {0.01|0.1|1|MINimum|MAXimum}
SENSe:PERiod:APERture? [MINimum|MAXimum]

The following table shows the relationship between the integration time and the measurement resolution.

Integration Time(PLC)	Resolution	
	DEFAULT	COMPATIBLE
0.02	0.0001 x Full-Scale	0.0001 x Full-Scale
0.1	0.00001 x Full-Scale	0.00001 x Full-Scale
1	0.000001 x Full-Scale	0.000003 x Full-Scale
10	0.0000001 x Full-Scale	0.000001 x Full-Scale

4.1.8 Sensor Selection for Temperature

Measurements

The multimeter supports both thermocouple and RTD. You need to configure the multimeter for the right sensor type, units and transducer before they can make temperature measurements.

RTD

Definition

If the RTD is used, you have to confirm the RTD settings (incl. sensor, units and transducer) first through the front panel operations or the remote control operation. For the sensor options, they are: PT100, D100, F100, PT385, PT3916, you-defined RTD, NTCT and SPRTD. For the units options, they are: °C, °F and K. For the transducer options, they are: 2W RTD and 4W RTD.

If you need to change the factors that are used to calculate the temperature in RTD, choose you-defined RTD in which you are able to change any factors as you wish. The default factors used are listed in **Table 4-3**:

Type	Alpha	Beta	Delta	R-zero
PT100	0.003850	0.10863	1.49990	100Ω
D100	0.003920	0.10630	1.49710	100Ω
F100	0.003900	0.11000	1.49589	100Ω
PT385	0.003850	0.11100	1.50700	100Ω
PT3916	0.003916	0.11600	1.50594	100Ω
NTCT	0.003850	0.10863	1.49990	100Ω

Table 4-3

Here is the temperature equation that is used to determine the RTD temperature:

When $t < 0^{\circ}C$:

$$R_t = R_0 [1 + At + Bt^2 + Ct^3(t - 100)]$$

When $0^{\circ}C < t < 630^{\circ}C$:

$$R_t = R_0 (1 + At + Bt^2)$$

Where:

$$A = \alpha \left(1 + \frac{\delta}{100} \right)$$

$$B = -\alpha\delta \cdot 10^{-4}$$

$$C = -\alpha\beta \cdot 10^{-8}$$

If you are using SPRTD(Standard Platinum RTD), select SPRTD and specify the seven coefficients under SPRTD submenu.

The ITS (International Temperature Scale) -90 standard provides two reference equations for Standard Platinum Thermometers covering temperature range from 18.8033K to 1234.93K. However, one SPRTD usually cannot cover the entire range, so the temperature range is broken up into a few subranges. These subranges depend on the calibration point of temperature scale and are based on the melting or triple points of various pure substances. For an exact list of the elements needed and details on RTD calibration, refer to NIST Technical Note 1265 "Guidelines For Realizing the International Temperature Scale of 1990". In each subrange, the calibration constants required for that subrange are listed.

Default

The default sensor type, units and transducer in 12061 is PT100, °C and 4W RTD in order.

How to set up RTD

You can set up the RTD configuration either through the front panel operation or through the remote interface operation.

Front Panel Operation

If you are using RTD, press CONFIG and then TEMP. Use ◀ and ▶ to locate SENSOR submenu. Press ENTER to go to the submenu. Use ◀ and ▶ to locate your sensor type Press ENTER to select your desired sensor type. So are the Units and Transducer settings.

Choosing **USER** takes you to a menu where you can specify factors used in the calculation equation to obtain the temperature. Use ◀ and ▶ to move through the digits and △ and ▽ to change the numbers to a desired value. Press ENTER to set the value.

Choosing **SPRTD** takes you to a menu where you can specify the seven coefficients that are used to determine the temperature. Use ◀ and ▶ to move through the digits and △ and ▽ to change the numbers to a desired value. Press ENTER to set the value.

Remote Interface Operation

Use the following commands to set up the RTD configuration.

SENSe:TEMPerature:RTD:TYPE{PT100|D100|F100|PT385|PT3916|USER|SPRTD|NTCT}

SENSe:UNIT {Cel|Far|K}

SENSe:UNIT?

SENSe:TEMPerature:RTD:RZerO {<value>|MINimum|MAXimum}

SENSe:TEMPerature:RTD:ALPHa {<value>|MINimum|MAXimum}

SENSe:TEMPerature:RTD:BETA {<value>|MINimum|MAXimum}

SENSe:TEMPerature:RTD:DELTA {<value>|MINimum|MAXimum}

SENSe:TEMPerature:SPRTD:RZERo {<value>|MINimum|MAXimum}

SENSe:TEMPerature:SPRTD:A4 {<value>|MINimum|MAXimum}

SENSe:TEMPerature:SPRTD:B4 {<value>|MINimum|MAXimum}

SENSe:TEMPerature:SPRTD:AX {<value>|MINimum|MAXimum}

SENSe:TEMPerature:SPRTD:BX {<value>|MINimum|MAXimum}

SENSe:TEMPerature:SPRTD:CX {<value>|MINimum|MAXimum}

SENSe:TEMPerature:SPRTD:DX {<value>|MINimum|MAXimum}

SENSe:TEMPerature:TRANsducer FRTD

SENSe:TEMPerature:TRANsducer RTD

Thermocouple

Definition

If you are using the thermocouple function, the selections on the 12061 are: type E, J, K, N, R, S and T. (On the other hand, other selection "SIMULATED" simulates the reference junction.) To use the thermocouple function, you have to adjust something. First of all, via a thermocouple adaptor, you need to measure a known and accurate reference temperature (T1) as a criterion. Then the display of the 12061 will show a reference value (T2). At the moment, a remainder (T3) from (T1 - T2) will be calculated. After that, you just adjust the default (simulated value 23.0°C) to 23.0°C + (T3). Under the circumstance, the thermocouple function will be activated completely.

For Example:

If the criterion value is (T1 = 30.0°C), the reference value showing on the 12061 is (T2 = 24.0°C). You will get a remainder T3 (T1 - T2 = 6.0°C). Then you just configure the default simulated value from 23.0°C to 29.0°C on the 12061.

※ Note: We also provide another solution, 10-Channel TC-Scanner Card (A120004), to measure thermocouple. For more information, please refer to its user's guide.

How to set up thermocouple

You can set up the thermocouple configuration either through the front panel operation or through the remote interface operation.

Front Panel Operation

1. Configure the thermocouple type and unit. Pressing CONFIG > SHIFT > TEMP (TCOUP), and then using PREV and NEXT to select the type and unit.
2. Measure a known and accurate reference temperature (T1). The result showing on the 12061 is (T2).
3. Adjust the simulated value (23.0°C to 23.0°C + T3.)
4. Configure the Simulated value by pressing CONFIG > SHIFT > TEMP(TCOUPL) > NEXT > SIMULATED > ENTER, and by buttons 「PREV」 or 「NEXT」 and Δ & ∇ assistance to adjust the value.

Remote Interface Operation

Use the following commands to set up the thermocouple configuration.

SENSe:UNIT {Cel|Far|K}

SENSe:UNIT?

SENSe:TCouple:TYPE {E|J|K|N|R|S|T}

SENSe:TCouple:RJUNcion:SIMulated {<value>|MINimum|MAXimum}

4.1.9 Remote Interface Selection

The multimeter supports both GPIB and USB interfaces, but only one interface can be activated at a time. If you are using GPIB, you must set the address for the multimeter. You can set the address to any value from 0 and 31. The address is set to "22" when the multimeter is shipped from the factory.

※ **Note:** The remote interface can only be set through the front panel operations.

How to select a remote interface

Press MENU and then use ◀ and ▶ to select INTERFACE. Then Press ENTER on your choice of USB or GPIB interface.

How to set address when using GPIB

Press MENU and then use ◀ and ▶ to access INTERFACE. Select GPIB to set address. Use ◀, ▶, △ and ▽ to adjust the numbers to the desired address. Press ENTER to set it.

4.1.10 Input Terminal Switch

Definition

You can select either the front input terminals or the rear input terminals for their measurements. There are 5 input terminals in the front panel as well as the rear panel. If the rear terminal is enabled the REAR annunciator at the upper side will be shown.

Default

The default priority is resigned to the front terminals.

How to switch the terminals:

To switch between the front and the rear input terminals, press "TERMINALS" switch button on the front panel. Please see the following figure for the location of the switch. The location of the button and terminals is shown with a red rectangle frame in **Figure 4-7**.

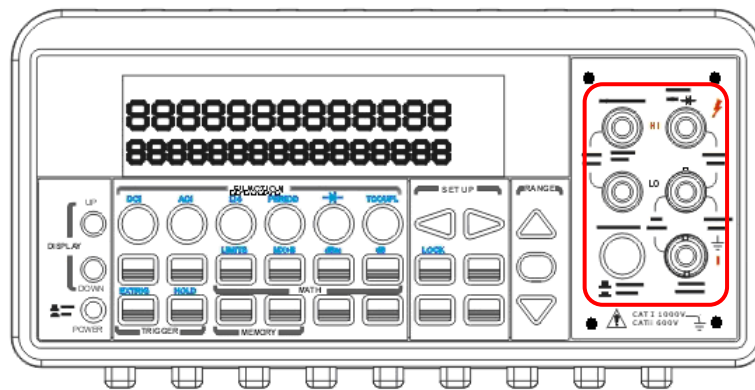
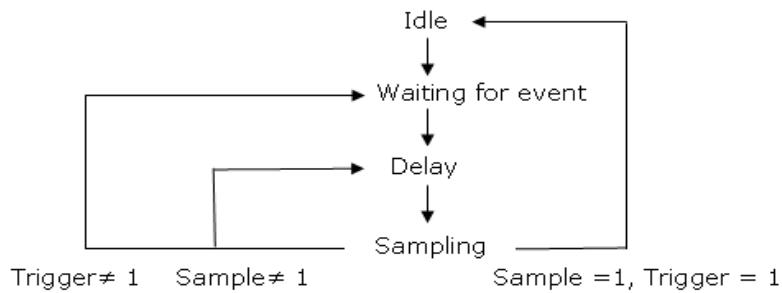


Figure 4-7

4.2 Trigger Operations

In this section we will discuss the triggering system in 12061. 12061 provides a variety of trigger operations for you. You can select a trigger mode, a trigger source and different trigger settings for a specific measurement. The user's selection is stored in a volatile memory and the default settings will be restored after power-off. **Figure 4-8** shows the trigger operation in 12061.



Trigger Operation Flow Chart

Figure 4-8

4.2.1 Trigger Mode

There are three trigger modes in 12061: auto, immediate, and single triggering. You can specify the trigger mode for their measurement. The factory default is auto triggering when the meter is power-on.

A. Auto Triggering Mode (Front Panel Operation only)

Definition

Auto triggering takes continuous readings at a fastest rate possible for the present measurement. The rate of taking readings depends on the current settings. This function is only available through the front panel. The auto triggering is also the default for trigger mode in 12061.

How to use Auto Trigger

Press ATUO TRIGGER on the front panel to toggle for enabling auto trigger mode. The location of the button is shown with a red rectangle frame on **Figure 4-9**.

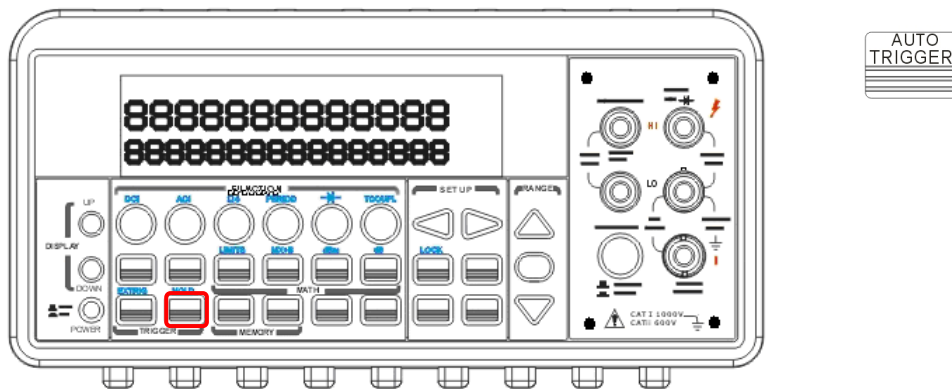


Figure 4-9

B. Internal Immediate Trigger Mode (Remote Interface Operation Only)

Definition

The immediate triggering mode is only available through the remote interface operations and it is the default for the remote interface operations. When the meter is in immediate trigger mode, a trigger will be issued immediately as soon as the meter is in "wait for event" state.

How to use Immediate Trigger

Use the following command in your PC terminal to set the internal immediate trigger.

TRIGger:SOURce IMMEDIATE

C. Single Trigger Mode (accessible only through the front panel)

Definition

Single trigger mode takes one reading (or specified number of readings) each time when you presses SINGLE key. (Please refer to 4.2.3 for setting the number of samples on each trigger.) When the TRIG annunciator on the display is lit, the meter is ready for next trigger event. The single trigger mode is only available through the front panel operations.

How to use Single Trigger

First select the measurement function, and then press SINGLE key on the front panel to set the trigger mode. The location of the button is shown with a red rectangle frame in **Figure 4-10**.

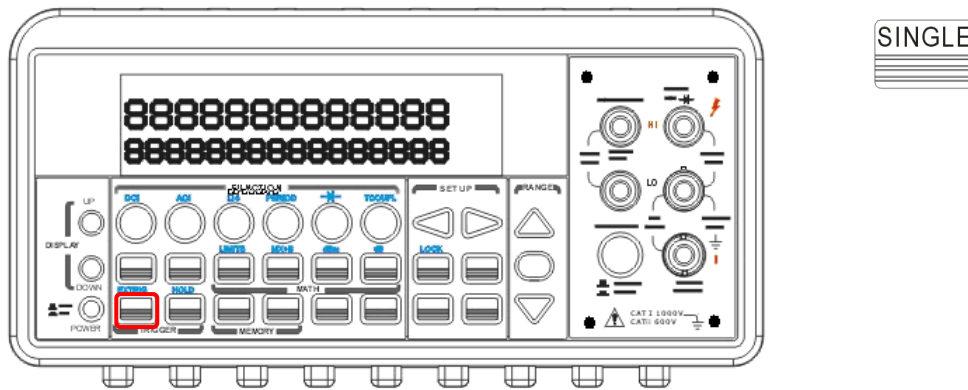


Figure 4-10

4.2.2 Trigger Source

In 12061, you can specify the trigger source to be one of these three options: front panel operations, external hardware trigger source and remote interface operations.

Front Panel Operation

Use the front panel buttons - AUTO TRIGGER for auto triggering and SINGLE for single triggering.

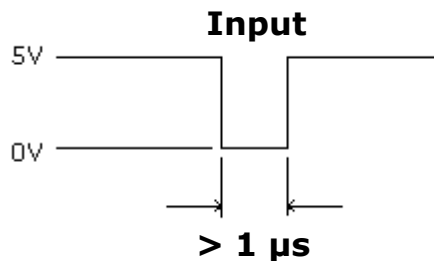
External Hardware

You apply a trigger pulse to the Ext TRIG (BNC) terminal on the rear panel. External hardware triggering is like using single trigger but the trigger source is an external hardware. When the multimeter receives a pulse from the trigger source, it takes one reading, or a specified number of readings. To set the external hardware trigger, press both the SHIFT + SINGLE buttons to enable external hardware trigger. The lit "EXT"

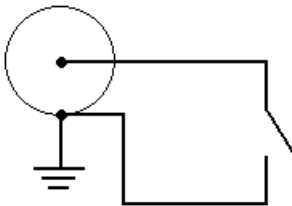
annunciator on the display indicates the enabling of the external hardware trigger.

External Trigger Terminal

You can trigger the 12061 by using a low-true pulse to the Ext Trig (external trigger) terminal located on the rear panel. And to use this terminal via the remote interface, you have to select the external trigger source by using the TRIGer:SOURce EXTernal command.

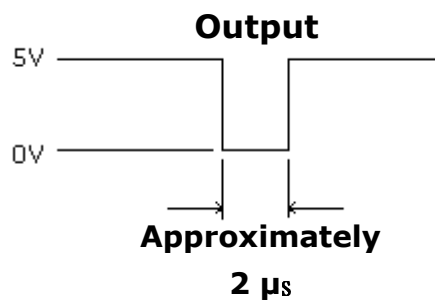


※ Note: You can use a simple switch to generate an external trigger by using the Ext Trig input as shown in the following.



VM COMP (Voltmeter Complete) Terminal

The rear panel VM COMP terminal provides a low-true pulse after finishing each measurement. The VM COMP and external trigger shown below provides a standard hardware handshake sequence between measurement and switching devices.



Remote Interface Operation (By software or internal trigger)

By software trigger: The software trigger is similar to the single triggering, but instead of using the "SINGLE" button on the front panel, you send a command from your PC to the multimeter to generate an event. For using software trigger, use the following command from your PC terminal to set trigger source:

TRIGger:SOURce BUS

By internal trigger: The internal trigger is the default trigger mode for the Remote Interface Operation. In the internal trigger mode, a trigger signal will be issued whenever the multimeter is in the wait-for-trigger state. To set the internal trigger, use the following command from your PC terminal:

TRIGger:SOURce IMMEDIATE

4.2.3 Trigger Setting

In 12061, you can specify a variety of trigger settings including the number of samples per trigger, the number of triggers per event, reading hold, and the trigger delay for their measurements.

A. Number of samples on each trigger

By default, the multimeter takes only one reading on each trigger, but you can instruct the multimeter to take specific number (up to 50000) of readings each time it receives a trigger. The user's input setting is stored in a volatile memory which will be cleared after the meter has been turned off and the default value will be restored. You can set the number of samples on each trigger through front panel or the remote interface.

Front Panel Operation

Press MENU button and locate "TRIG" submenu by pressing ◀ and ▶ buttons. Press ENTER to choose "TRIG" option. Again locate "N SAMPLE" submenu using ◀ and ▶ buttons and then press ENTER to select it. Then set the desired number by pressing ▲ and ▼ buttons to increase or decrease the number, and using ◀ and ▶ buttons to move through the digits. The locations of these buttons are shown with red rectangle

frames in **Figure 4-11**.

Procedures: MENU → TRIG → N SAMPLE →<Number>

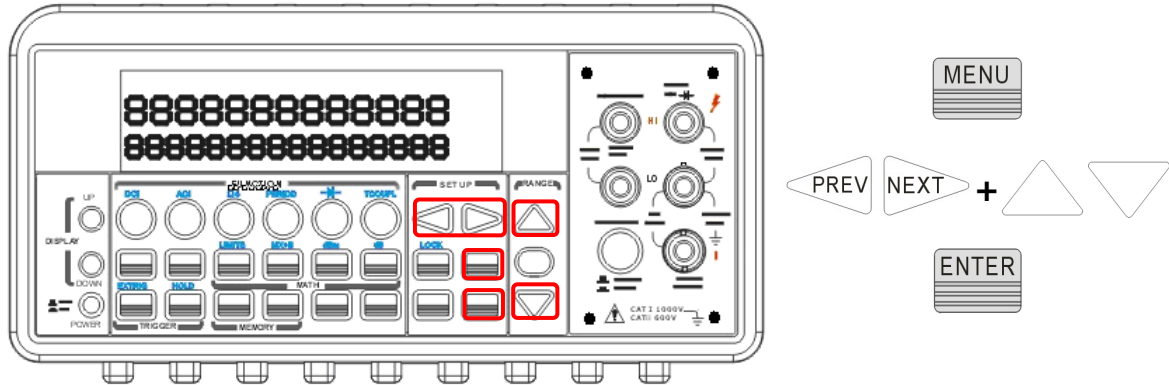


Figure 4-11

Remote Interface Operation

Use the following command to set the number of samples from your PC terminal.

SAMPle:COUNT <value>

B. Number of triggers

Although the meter normally takes one trigger before returning to the "idle" state, you can manually specify the number of triggers it accepts before the "idle" state. However, this can only be done through the remote interface. The following command show how to set multiple triggers per returning idle state.

TRIGger:COUNT <value>

C. Reading hold

The reading hold feature is used to hold a stable reading on the display. When a reading is stable, enabling the reading hold will hold the stable reading and trigger a beeping sound. Reading hold feature depends on an adjustable sensitivity band to determine if a reading is stable. The multimeter considers a reading stable when three consecutive readings are within the sensitivity band. Chapter 4.4.6 will explain how to adjust the sensitivity band.

How to use reading hold

This feature is only available from the front panel operations. To enable reading hold, press both SHIFT and AUTO TRIGGER buttons. To disable it, simply press AUTO TRIGGER. The locations of the buttons are shown with red rectangle frames in **Figure 4-12**.

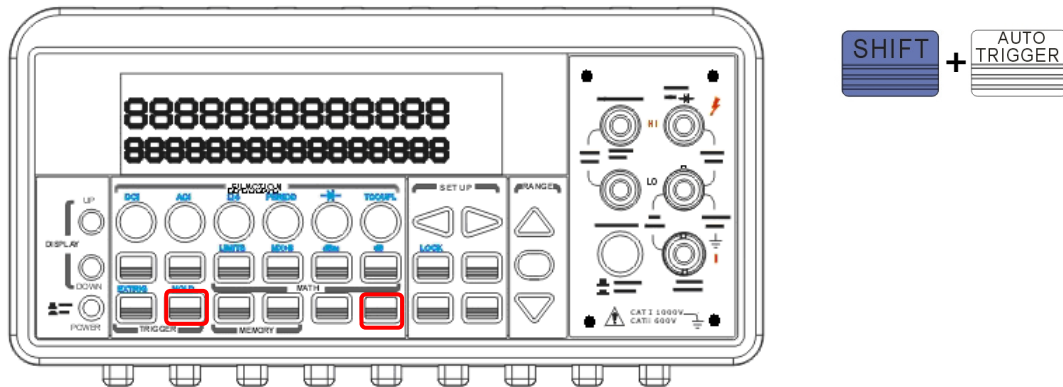


Figure 4-12

D. Trigger delay

This feature is useful for you who needs a longer delay time to wait for the system to be stabilized. The time needed to stabilize a measurement system is called the “settling time.” The settling time depends on the measurement range, cable properties and signal source.

Defaults

The default of the trigger delay is automatic. 12061 automatically selects a delay time for you according to the setting of the measurement if you do not specify a delay. A list of the default for each measurement function is shown on **Table 4-4**. The range for the delay is from 0 to 3600 seconds. User’s selection of delay time is stored in a volatile memory and the default will be restored when the meter is power-off.

The internal settings of automatic trigger delay

The delay time for automatic trigger delay is determined by the selection of measurement function, range, and the setting of integration time and AC filter speed. **The following table shows the default delay time for each measurement setting.**

Measurement Function	Setting	Trigger Delay Time
DCV/DCI	PLC \geq 1	1.5 ms
	PLC $<$ 1	1.0 ms
Ω 2 and Ω 4 (PLC \geq 1)	100 Ω ~ 100k Ω	1.5 ms
	1 M Ω	15 ms
	10 M Ω ~ 100 M Ω	100 ms
Ω 2 and Ω 4 (PLC $<$ 1)	100 Ω ~ 100k Ω	1.0 ms
	1 M Ω	10 ms
	10 M Ω ~ 100 M Ω	100 ms
ACV/ACI (Remote Interface/ External Trigger/ Single Trigger)	3 Hz	7.0 s
	20 Hz	1.0 s
	200 Hz	600 ms
ACV/ACI (Front Panel w/ Auto Trigger On)	3 Hz	1.5 s
	20 Hz	200 ms
	200 Hz	100 ms
Frequency/Period	Remote Interface / External	1.0 s
	Front Panel w/ Auto Trigger ON	0 s

Table 4-4

How to specify a delay time

You can set the delay time from either the front panel operations or the remote interface operations.

Front Panel Operation

To set the delay time, press MENU button and use \triangleleft and \triangleright buttons to

locate "TRIG" option. Press ENTER to select it. Then again find "DELAY" option using ◀ and ▶ buttons. Press ENTER to select it. Then use ◀ and ▶ buttons to move through the digits and ▲ and ▼ buttons to set the desired delay time (between 0 to 3600 second). The locations of the buttons are shown with red rectangle frames in **Figure 4-13**.

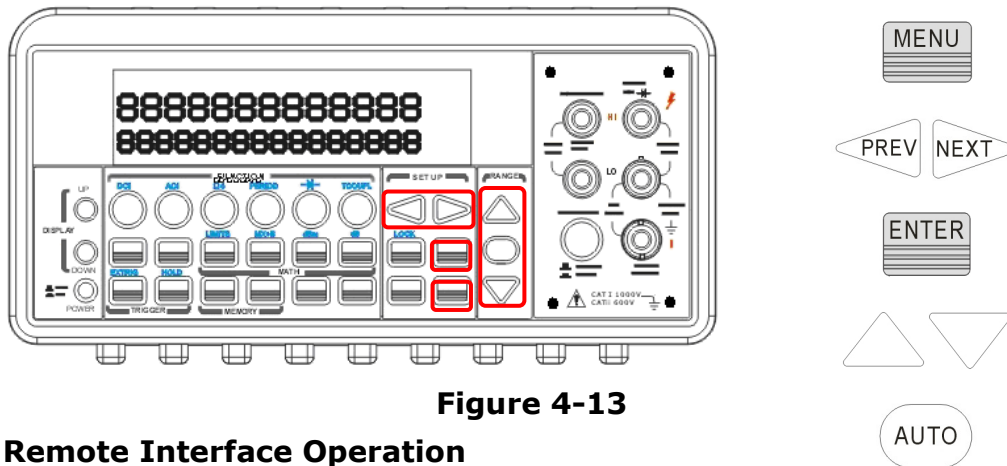


Figure 4-13

Remote Interface Operation

You can also use the remote interface operations from your PC terminal to set the trigger delay. To select a delay time, use the following command or set the trigger delay to be automatic:

TRIGger:DElay {<seconds>|MINimum|MAXimum}

or

TRIGger:DElay:AUTO {OFF|ON}

4.3 Math Operations

This section will introduce the mathematical operations in 12061. There are eight math operations: RATIO, %, Min/Max, NULL, Limits, MX+B, dB and dBm testing. They either store data for later use or perform mathematical operations on the readings. Note that these math operations are available to all measurement functions except continuity and diode testing.

※ **Note:** The "MATH" annunciator on the display indicates the state of a mathematical feature, excluding Ratio, and will be lit by enabling whichever math feature. Also, press the same buttons again for the enabled math feature will disable the same math feature.

※ Note: Press RATIO button, the "RATIO" annunciator will be lit on the display.

4.3.1 Ratio

This function calculates the ratio of an input DC voltage to a reference DC voltage according to the following equation:

$$\text{Ratio} = \frac{\text{DC Input Voltage}}{\text{DC Reference Voltage}}$$

How to make a ratio measurement

There are two ways to make a ratio measurement: Through the front panel operation or through the remote interface operation.

Front Panel Operation

Use TERMINALS button to select the front terminals or the rear terminals. Press CONFIG + RATIO, and then use ◀ and ▶ buttons to locate "RESOLUTION" option (Refer to 4.1.3) and "FILTER" option (Refer to 4.1.2.2). Press ENTER to make choices. Then select desired value for it by pressing ◀, ▶, ▲ and ▼ button. Press ENTER to choose it. For operating this function, please press RATIO button and observe the reading on the display as shown as **Figure 4-14**.

※ Note: To close this function, please press one of the measurement function buttons.

※ Note: The max. DC input voltage is 1000 V, and the max. DC reference voltage is 200 V.

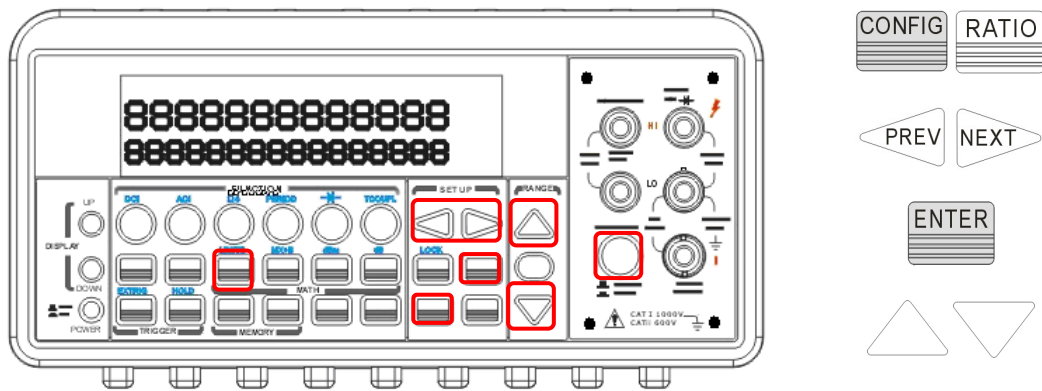


Figure 4-14

Remote Interface Operation

Use the following command to make a RATIO measurement.

CONFigure:VOLTage:DC:RATio {<range>|MIN|MAX|DEF},{<resolution>|MIN|MAX|DEF}

4.3.2 % (Percent)

Definition

This mathematical function calculates the ratio of a measurement reading to a specified target value as the form of percentage. The calculation formula is shown below:

$$\text{Percent} = \frac{\text{Input Reading}}{\text{Target Value}} \cdot 100$$

The specified target value is store in a volatile memory and will be cleared after the meter has been turned off or a remote interface reset.

How to use % (Percent) function

There are two ways to make a percent measurement: Through the front panel operation or through the remote interface operation.

Front Panel Operation

To specify a target value, you needs to configure Percent function by pressing CONFIG + %, then use ◀ and ▶ to move through the digits

and \triangle and ∇ buttons to increase or decrease the numbers to a desired target value. Press ENTER to set the value. Press % to activate this function. And then observe the calculated percent value on the display as shown as **Figure 4-15**.

※ Note: Press % again to disable this function. The "MATH" annunciator on the display indicates the state of a mathematical feature.

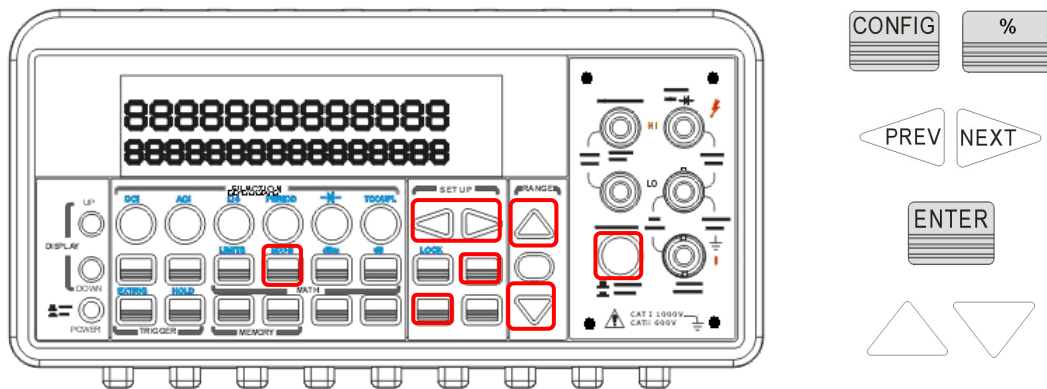


Figure 4-15

Remote Interface Operation

Use the following commands to enable and configure Percent function:

CALCulate:FUNCTION PERCent

CALCulate:STATe {OFF|ON}

CALCulate:STATe?

CALCulate:PERCent:TARGet {<value>|MINimum|MAXimum}

CALCulate:PERCent:TARGet? [MINimum|MAXimum]

4.3.3 Min/Max

Definition

When the Min/Max function is enabled, the multimeter takes in a series of readings from the measurements, stores the minimum and maximum readings in the memory, and then calculates the average value of all readings. The number of readings taken since Min/Max operation is enabled is recorded as well. These data are stored in a volatile memory

and will be cleared when the meter is turned off, or when the MIN/MAX is turned on, or after a remote interface reset. The meter beeps every time when it captures a new minimum or maximum.

How to use Min/Max

You can use the Min/Max feature either through the front panel operation or the remote interface operation.

Front Panel Operation

You first select the measurement function they wish to use, and then press MIN/MAX button to enable the Min/Max function. To read the min/max value, the average value or the readings count, you can press CONFIG button and then MIN/MAX button. Use ◀ and ▶ buttons to switch between those values. The locations of the buttons are shown with red rectangle frames in **Figure 4-16**.

※ **Note:** Press MIN/MAX again to disable this feature. The “MATH” annunciator on the display indicates the state of a mathematical feature.

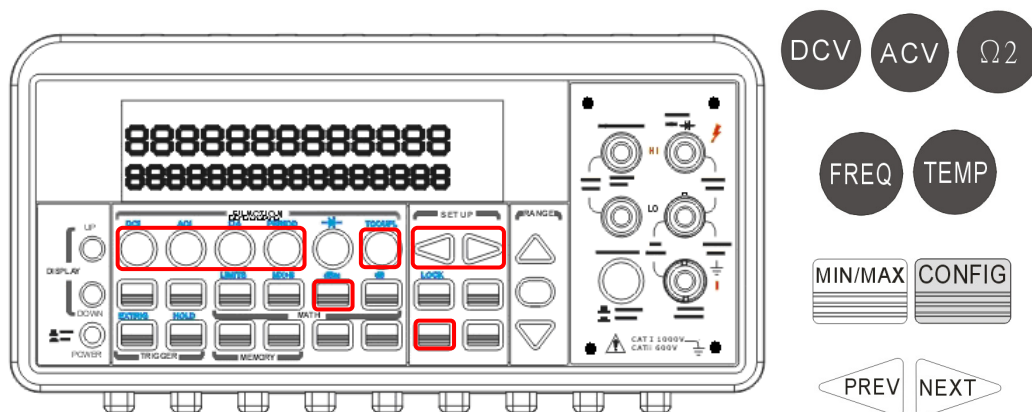


Figure 4-16

Remote Interface Operation

The following commands show you how to use the Min/Max operation from your PC terminal.

CALCulate:FUNCTION AVERAge

CALCulate:STATe {OFF|ON}

CALCulate:STATe?

CALCulate:AVERage:MINimum?
CALCulate:AVERage:MAXimum?
CALCulate:AVERage:AVERage?
CALCulate:AVERage:COUNT?

4.3.4 Null

Definition

When null function is enabled, the displayed measurement reading is the difference between the measured input signal reading and the stored null (also called relative) value. The null (relative) value is stored in a volatile memory and the value will be cleared when the multimeter is power-off. Moreover, you can specify or alter a null value. The null feature is available for all functions, except continuity, diode. When you selects the null feature for a measurement, it is visible only for this measurement.

How to use null (relative) measurement

You can activate null feature from either the front panel operation or the remote interface operation.

The Front Panel Operation

The null measurements can be used with any function except continuity and diode. To store the null test lead resistance, short the two test leads together and then press NULL button. The new reading taken will replace the old value, if any, in the null register. Then, connect the two test leads to the input source. The value with null offset will show on the display. In addition, the null offset value can be adjusted manually by pressing CONFIG then NULL. Use ◀ and ▶ buttons to move through the digits and use ▲ and ▼ buttons to increase or decrease the numbers to a desired value. Press ENTER to set the value. The locations of the buttons are shown with red rectangle frames in **Figure 4-17**.

※ Note: Press NULL again to disable this feature. The "MATH" annunciator on the display indicates the state of a mathematical feature.

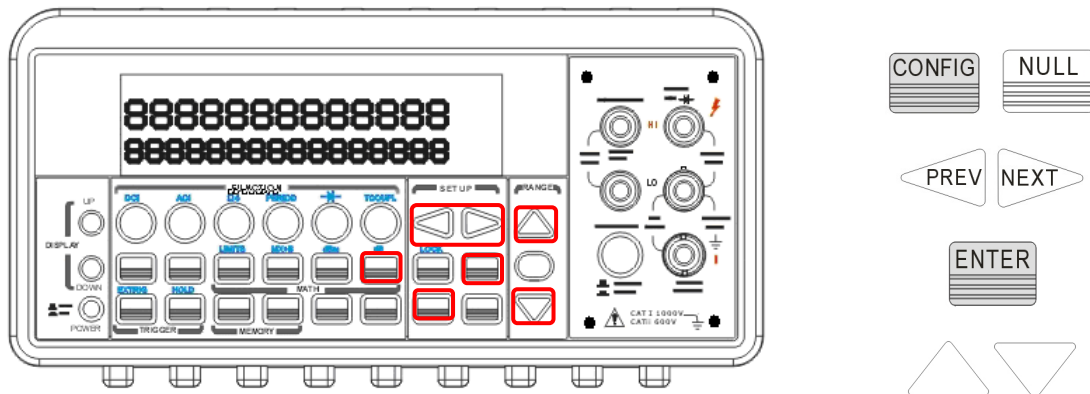


Figure 4-17

The Remote Interface Operation

You can use the following commands on your PC terminal to make a null measurement.

CALCulate:FUNcTION NULL

CALCulate:STATe {OFF|ON}

CALCulate:STATe?

CALCulate:NULL:OFFSet {<value>|MAXimum|MINimum}

4.3.5 Limits Test

The limits testing operation allows you to adjust a maximal and a minimal limit values. The multimeter beeps and an "HI" or "LO" message will be shown when the reading exceeds the upper or lower limit respectively. You can specify the limit values and the values are stored in a volatile memory. The default values for both upper and lower limits are "0". This function is available to all except continuity and diode measurements.

※ Note: You can also use this HI/LO measurement as a Pass/Fail application through the USB interface's Pin 2 and Pin3. But the USB interface has to be turned off by pressing MENU > ▷ > INTERFACE > ENTER > ▷ > INTERFACE > ENTER > USB > ENTER > DISABLE > ENTER .

How to set the limits

You can set the limits or make a limit testing either through the front panel or the remote interface operation.

Front Panel Operation

To set the limits, you need to configure the LIMITS math function by pressing CONFIG + SHIFT + RATIO, and then use ◀ and ▶ to locate either lower limit (MIN) or upper limit (MAX). Press ENTER to select the limit you wish to set. Then use ◀ and ▶ to move through the digits and ▲ and ▼ to increase or decrease the numbers to a desired value. Press ENTER to set the value. The locations of the buttons are shown with red rectangle frames in **Figure 4-18**.

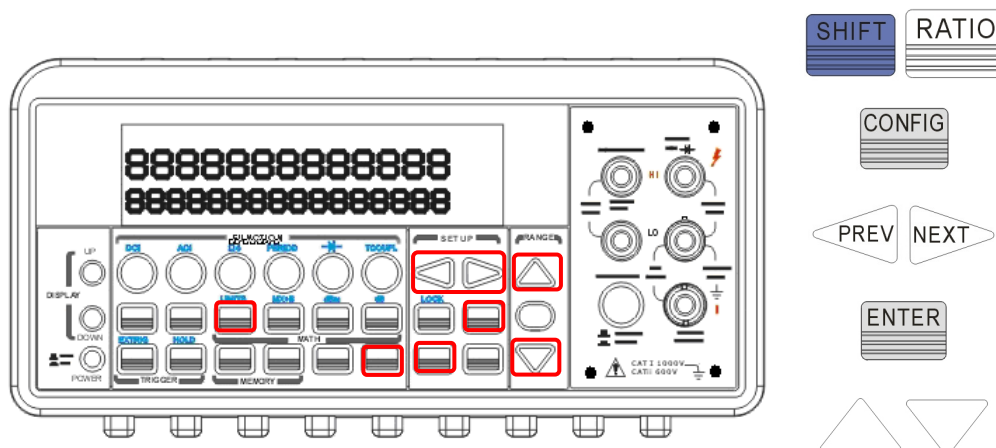


Figure 4-18

How to make a limit testing

The locations of the buttons are shown with red rectangle frames in **Figure 4-19**.

- Select a measurement function for purpose except continuity and diode.
- Enable the limit operation by pressing SHIFT + RATIO buttons.
- After enabling the limit function, you can set the limit value as mentioned above.
- Observe the displayed reading.

※ **Note:** Press SHIFT+RATIO again to disable this feature. The "MATH" annunciator on the display indicates the state of a mathematical feature.

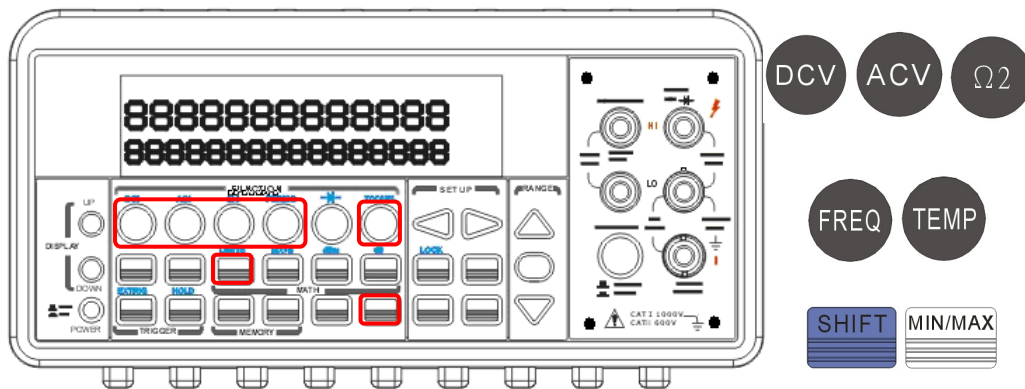


Figure 4-19

Remote Interface Operation

Use the following commands to enable the limits function or to set the limits:

CALCulate:FUNcTION LIMit

CALCulate:STATe {OFF|ON}

CALCulate:STATe?

CALCulate:LIMit:LOWer {<value>|MINimum|MAXimum}

CALCulate:LIMit:UPPer {<value>|MINimum|MAXimum}

4.3.6 MX+B

Definition

This mathematical function multiplies a measurement reading (X) by a specified scale factor (M) and add an offset (B) automatically. The answer (Y) will then be shown on the display according to the following equation.

$$Y=MX+B$$

This is especially useful when you needs to do slope calculations on a series of measurements.

The values of the "M" and "B" can be changed through the configuration of this function and they are stored in a volatile memory and will be cleared after the meter has been turned off or a remote interface reset. You can either use front panel or remote interface to perform this

function and set these two constant.

How to use MX+B function

You can use MX+B function from the front panel operation or the remote interface operation.

We provide two application examples for your reference. The first one is that if you have to use scanner card to obtain the current value (For more specification information, refer to the scanner card user's guide.).

Second, if the input current source you want to measure exceeds the current specification, 3A, of the 12061.

Then the DCV/ACV and MX+B functions would be helpful. The current value is calculated through the equation as follows. " $I=V/R$ ".

Where: I = Current being determined

V = Voltage measured by the DMM

R = Shunt resistance value

As to the MX+B setting, "M" stands for " $1/R$ ", "X" stands for "voltage measured by the DMM" and "B" stands for "Offset, 0".

Application1.

(via the scanner card and the Chroma-TOOL software for the multipoint measurement, but it has some limitations when using it.):

1. Switch the terminal to the rear control.
2. Build in the necessary current shunt on the R1/R2 location (available measurement for CH1/CH6 only). Or externally connect current shunts in parallel connection to the required Channel(s) among CH1 ~ CH10 and current source(s). (The section 4.4.5 has the diagram explanation of the scanner card.)
3. Insert the scanner card into the DMM carefully.
4. Connect the output A's leads to the rear terminal INPUT HI and LO.
5. Execute the Chroma-TOOL.
6. Choose DCI function to activate the MX+B function. You need to input the "R" value and the Offset "I" value if you know.

7. Press YES to start the measurement.

※ Note: We can't accept the input source exceeding (ACV: 125V/ DCV: 110V) or the components on the scanner card might be burned out. It's better to use the front terminal to test sources first.

Application 2.

(via the front panel operation for the single current measurement.):

Case: Mr. Obama wants to measure a source, 10A, through a 0.1Ω current shunt and a 12061DMM. However, the DMM's tolerance just can stand the maximum input current, 3A. What should he do?

Please obey the following procedures and illustrations as a big current measurement solution.

1. Switch the terminal to the front control.
2. Externally connect a current shunt " 0.1Ω " in parallel connection to the INPUT HI & LO and a current source 10A.
3. Press CONFIG > SHIFT + % to set the MX+B. You need to input the current shunt value " $M = 1/0.1 = 10\Omega$ " and the Offset "B, ex: 0" value.
4. Press ENTER to confirm the settings.
5. Press DCV function.
6. Activate the MX+B math function by pressing SHIFT + % buttons.
7. The DMM's display will show a value +9.969XXE+00. (This measurement also can be used with the Chroma-TOOL software. Please refer to the 5 ~ 7 procedures of the Application 1.)

※ Note: If the input source exceeds the specification ACV:750V / DCV:1000V, the display will show OVLD.

Front Panel Operation

To set the values of M and B, you need to configure this math function by pressing CONFIG and SHIFT + %. Use ◀ and ▶ to switch between M and B. Press ENTER on your selection. Then use ◀ and ▶ to move through the digits and use ▲ and ▼ to increase or decrease the number to a desired value. Press ENTER to set the value. You need to set the

values of M and B first. Then Select a measurement function and press SHIFT + % to activate MX+B function as shown as **Figure 4-20**.

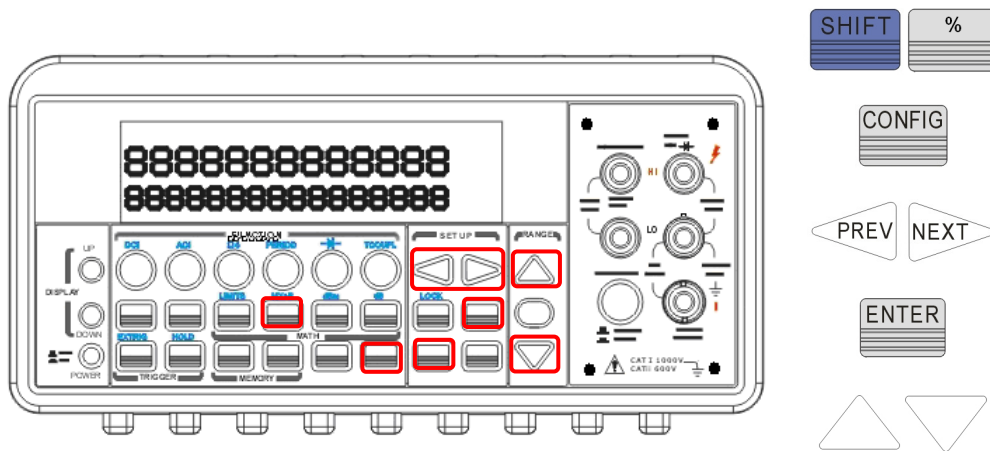


Figure 4-20

Remote Interface Operation

Use the following commands to enable and configure MX+B function:

CALCulate:FUNction MXB

CALCulate:STATe {OFF|ON}

CALCulate:STATe?

CALCulate:MXB:MMFactor {<value>|MINimum|MAXimum}

CALCulate:MXB:MMFactor? [MINimum|MAXimum]

CALCulate:MXB:MBFactor {<value>|MINimum|MAXimum}

CALCulate:MXB:MBFactor? [MINimum|MAXimum]

4.3.7 dB/dBm

A. dB

Definition

The dB feature takes a DC or AC voltage measurement and displays it in decibel unit in correspondence to a relative reference value. The calculation of dB is listed below:

$$dB = 20 \times \log\left(\frac{V_{in}}{V_{ref}}\right)$$

or

$$\text{dB} = (\text{Input signal in dBm}) - (\text{relative value in dBm})$$

※ NOTE: The V_{in} is the input signal and the V_{ref} is the relative reference.

The dB measurement is applied to DC and AC voltage only. The relative value is adjustable and is stored in a volatile memory. The range for the relative value is between 0 dBm and ± 200 dBm.

How to set the relative value

You can either manually select a number for the relative reference or let the multimeter take the first reading (0 dB).

Front Panel Operation

Press CONFIG+ SHIFT+ NULL buttons, and then use \triangleleft and \triangleright to move through the digits and \triangle and ∇ buttons to increase or decrease the numbers to your desired value. Press ENTER to set the value. The locations of the buttons are shown with red rectangle frames in **Figure 4-21**.

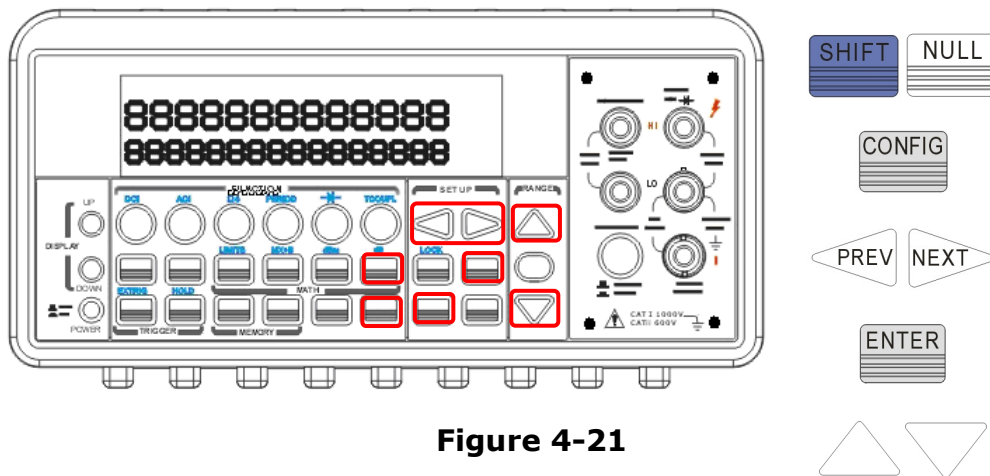


Figure 4-21

How to make a dB measurement

- Select the measurement function by pressing one of DCV and ACV buttons.
- Enable the dB operation by pressing SHIFT + NULL buttons.
- After enabling the dB operation, you can set or alter the dB relative value as mentioned above.
- Observe the displayed reading.

Figure 4-22 shows the locations of these buttons with red rectangle

frames.

※ Note: Press SHIFT+NULL again to disable this feature. The "MATH" annunciator on the display indicates the state of a mathematical feature.

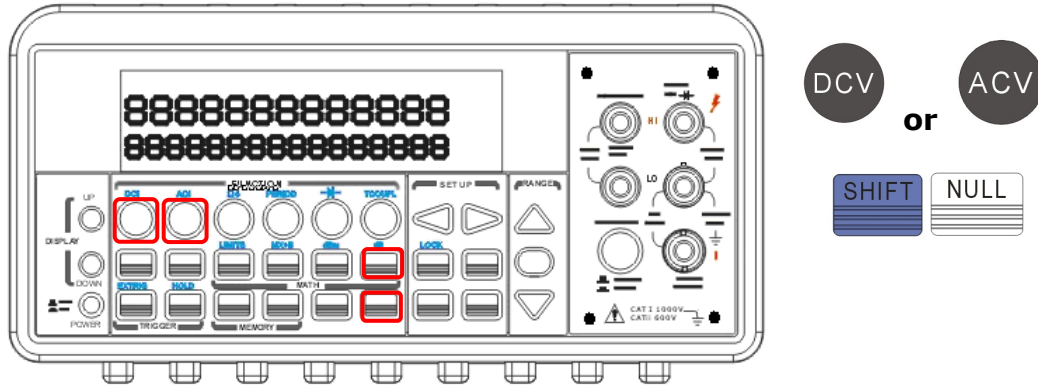


Figure 4-22

Remote Interface Operation

Use the following commands from your PC terminal to make the dB measurement:

CALCulate:FUNCTION DB

CALCulate:STATe {OFF|ON}

CALCulate:STATe?

CALCulate:DB:REFerence {<value>|MINimum|MAXimum}

B. dBm

Definition

With dBm selected, a voltage measurement is displayed as the level of power, relative to 1 milliwatt, dissipated through a reference resistance. The reference resistance is adjustable in 12061. The calculation of dBm is defined as below:

$$dB_m = 10 \times \log \left(\frac{V_{in}^2}{Z_{ref}} \right) / 1mW$$

※ Note: V_{in} is the input signal voltage. Z_{ref} is the reference resistance.

※ Note: Change of reference resistance will not affect the stored relative reference value.

- The Zref is adjustable with a range from 50Ω to 8000 Ω. The default

value is 600 Ω .

- The user selected reference value is stored in a volatile memory and will be cleared after the multimeter has been power-off.
- This feature is available for DCV and ACV only.

How to set the reference resistance

You can set the reference resistance either through the front panel operation or the remote interface operation.

Front Panel Operation

Press CONFIG + SHIFT + MIN/MAX, then use \triangleleft and \triangleright to move through the digits and \triangle and ∇ to increase or decrease the numbers to a desired value. Press ENTER to set the value. The locations of the buttons are shown with red rectangle frames in **Figure 4-23**.

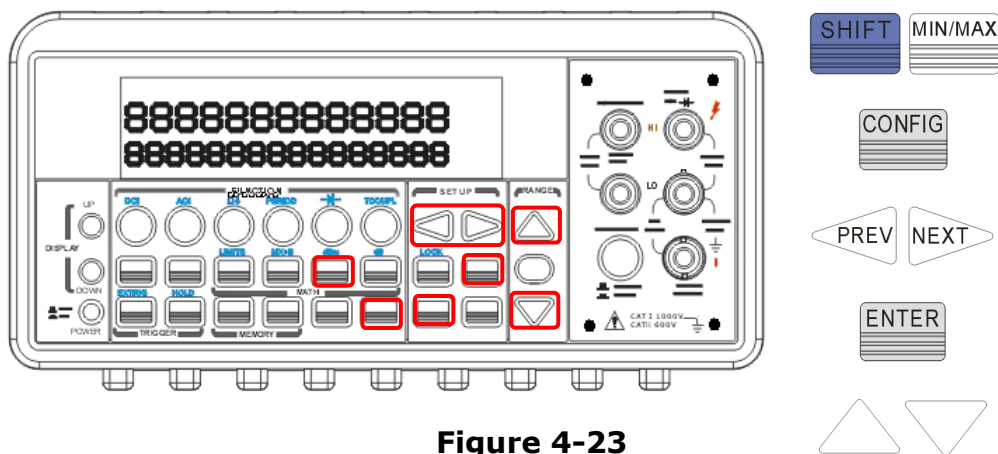


Figure 4-23

How to make a dBm measurement

- Select a measurement function by pressing DCV or ACV button. The dBm feature is only available for DCV and ACV only.
- To enable dBm, press SHIFT + MIN/MAX buttons.
- After enabling the dBm operation, you can select the reference resistance as mentioned above. The default for the reference resistance is 600 Ω .

The locations of the buttons are shown with red rectangle frames in

Figure 4-24.

※ Note: Press SHIFT+MIN/MAX again to disable this feature. The "MATH" annunciator on the display indicates the state of a mathematical feature.

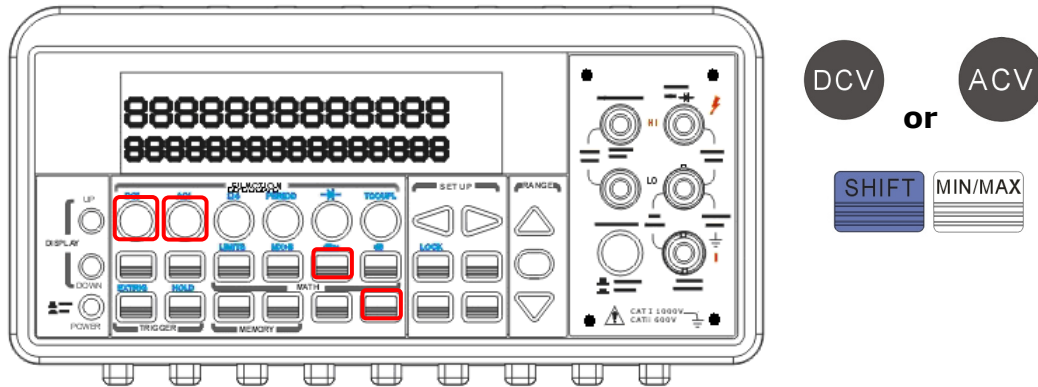


Figure 4-24

Remote Interface Operation

Use the following commands to enable dBm feature or to set the reference resistance:

CALCulate:FUNCTION DBM

CALCulate:STATe {OFF|ON}

CALCulate:STATe?

CALCulate:DBM:REFerence {<value>|MINimum|MAXimum}

4.4 Other System Related Operations

Each system related operation performs a task that is not measurement related but plays an important role in making your measurements.

4.4.1 Display

12061 has a 5x7 dot matrix, dual-display with three-color (White, Red and Yellow) annunciators for a better view. A maximum 13 characters are allowed for upper row dot-matrix display and a maximum 16 characters are allowed for lower row dot-matrix display as shown on **Figure 4-25**. You has an option to turn off the display for a faster

measurement without waiting for display, or when the measurement is done through the remote interface operations on their PC terminal.

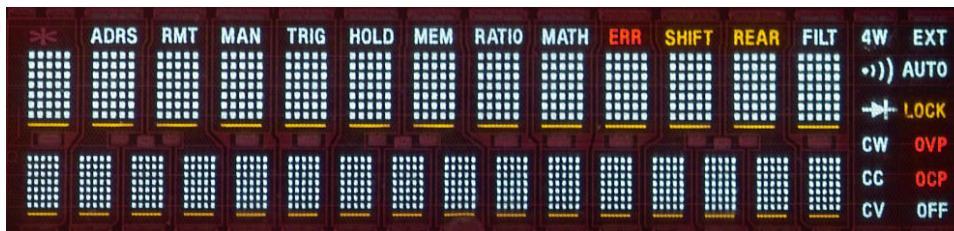


Figure 4-25

When the display is turned off, an "OFF" will be lit at the lower right corner of the display screen. This doesn't mean the display is POWER-OFF, but only that the measurement readings will not be sent to the display. This option will accelerate the measurement process because there is no I/O delay. But turning off the display will not affect the messages displayed from the RECALL, MENU and CONFIG operations.

You can send a message through the remote interface from their PC terminal to the lower row display and will substitute the original display.

Default

The display default is "ON". The "On/Off" selection made by you is stored in a volatile memory and the default "ON" will be restored when the meter is power-off.

How to control the display

You can control the display through the front panel operation or through the remote interface operation. The remote interface operation has higher priority over the front panel operation.

Front Panel Operation

Use the following steps to control the display: Press MENU button then use \triangleleft and \triangleright buttons to locate "SYSTEM" submenu. Press ENTER to select it, and then again use \triangleleft and \triangleright buttons to locate "DISPLAY" submenu. Press ENTER to select it, and then find ON or OFF by using \triangleleft and \triangleright buttons. Press ENTER on your selection. The locations of the buttons are shown with red rectangle frames in **Figure 4-26**.

Procedures: MENU → SYSTEM → DISPLAY → {ON|OFF}

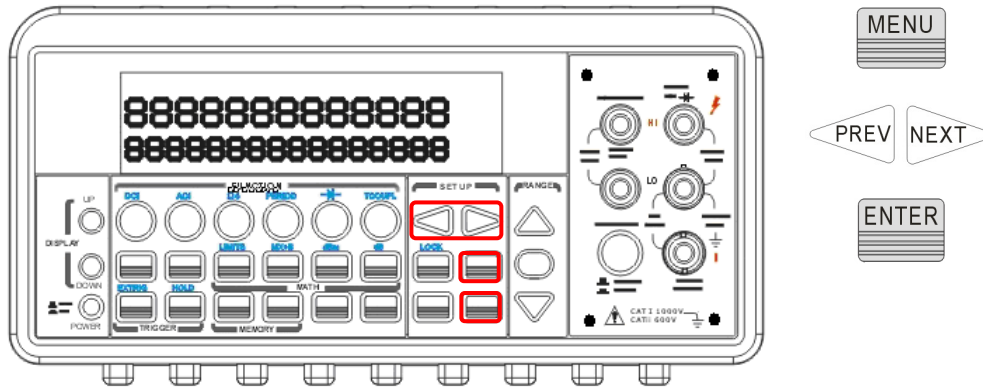


Figure 4-26

Remote Interface Operation

The following commands show how to control the display as well as how to send a message to the display:

DISPlay {OFF|ON} (turns off or turns on the display)

DISPlay:TEXT <quoted string> (displays the string you type in)

DISPlay:TEXT:CLEAr (clears the message displayed)

4.4.2 Beeper

12061 multimeter beeps when some certain conditions are met or when an error occurs. But there may be time you want to disable the beeper for some operations. Although you can turn off the beeper, the click sound you hear when a button is pressed will not be disabled. The beeper state is stored in a volatile memory and the default will be restored when the meter has been turned off or after a remote interface reset.

By disabling the beeper you will not hear the meter beeps when:

- a new minimum or maximum is found in Min/Max operation.
- a stable reading is detected and held.
- the test voltage is within the limits in diode testing.
- the source signal fails the limit testing.

After the beeper is disabled, the meter still emits a tone when:

- an error occurs.
- any button on the front panel is pressed.
- the threshold value is exceeded in continuity testing.

Default

The beeper is enabled when it is shipped from the factory.

How to control the beeper

You can control the beeper from either the front panel operation or the remote interface operation.

Front Panel Operation

Follow the procedure below to disable or enable the beeper: Press MENU button then use ◀ and ▶ buttons to find SYSTEM menu. Press ENTER to choose it, and then again use ◀ and ▶ buttons to find BEEP menu. Press ENTER to choose it, and then find ON or OFF by using ◀ and ▶ buttons. Press ENTER on your selection. The locations of the buttons are shown with red rectangle frames in **Figure 4-27**.

Procedures: MENU → SYSTEM → BEEP → {ON|OFF}

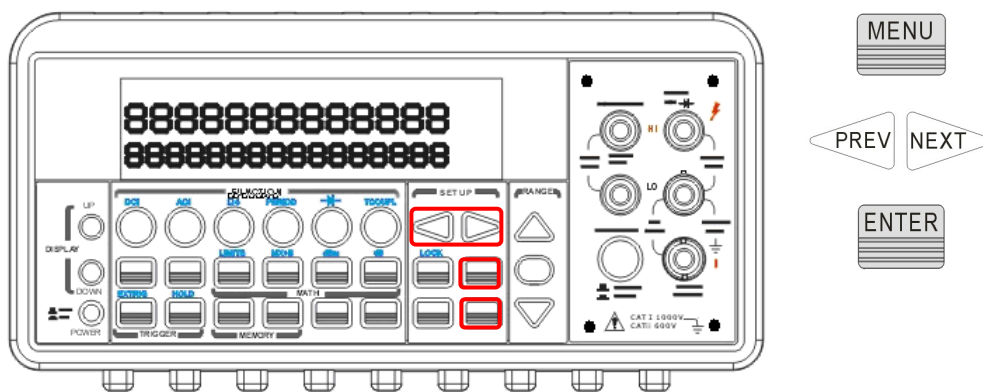


Figure 4-27

Remote Interface Operation

The following commands show how to use the remote interface operation to disable or enable the beeper:

SYSTem:BEEPer

SYSTem:BEEPer:STATe {OFF|ON}

4.4.3 Reading Memory (Store & Recall)

12061 has a memory capacity of 2000 readings. The readings are stored in first-in-first-out order and the memory type is volatile, which means the stored readings will be cleared when the multimeter is power-off. The reading memory feature can be used for all measurement functions, math operations, trigger operations and reading hold.

How to use the reading memory

You can store the readings and access to the stored readings through either the front panel operation or the remote interface operation.

※ **Note:** Each datum stored from 12061 to remote interface will be in a first in and first out condition.

Front Panel Operation

Before using the reading memory feature, you needs to select a measurement function (or the math function) first and then select the trigger mode.

To store readings, use the following steps:

Press STORE button, and the multimeter will start to store the readings produced until the specified number of readings is reached. The default number of readings to store is 100. To change this number, press CONFIG and then STORE buttons. Then use ◀ and ▶ buttons to move between the digits and ▽ and △ buttons to increase or decrease numbers as desired. When ready, press ENTER button. The default number of readings will be restored when the meter has been turned off. The location of the buttons are shown with red rectangle frames in **Figure 4-28**.

※ **Note:** The MEM annunciator will be lit while the multimeter stores readings and be turned off when the specified number of readings is

reached.

Procedures: CONFIG +STORE→ <NUMBER>

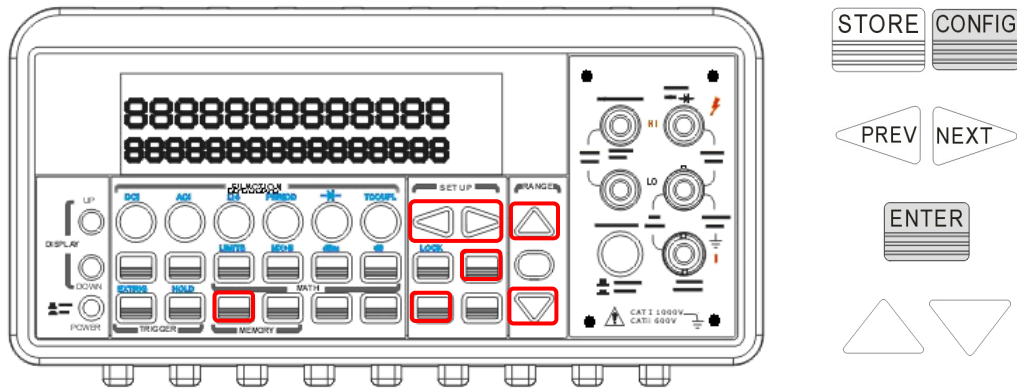


Figure 4-28

To recall the stored readings, use the following steps:

Press RECALL button, and the multimeter will display all the stored readings starting from the first reading. Use ◀ and ▶ or ▼ and ▲ buttons to move from the first reading to the last reading the meter has stored. The locations of the buttons are shown with red rectangle frames in **Figure 4-29**.

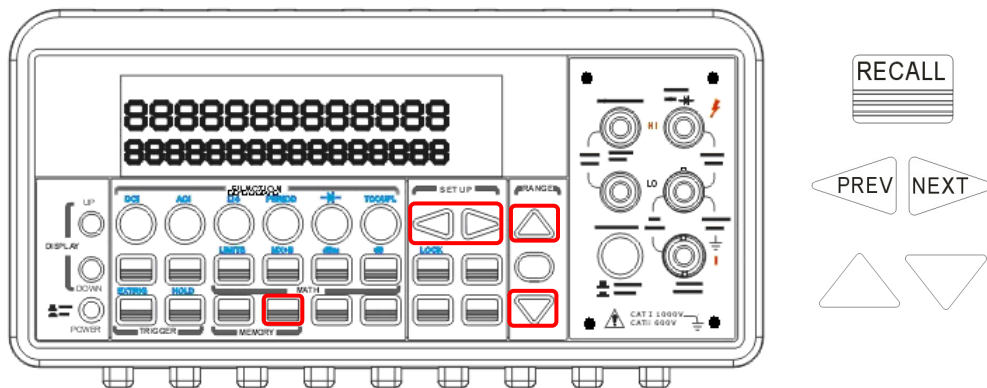


Figure 4-29

Remote Interface Operation

You can use the following commands from their PC terminals to store or retrieve readings in the memory. In addition, the number for STORE function only can be set through front panel.

INITiate (This command tells the meter to be on “wait-for-trigger” state. After a measurement is taken, measurement readings will be placed in the memory.)

FETCh? (Use this command to retrieve stored readings.)

DATA:POINts? (Use this command to query the number of stored readings.)

4.4.4 Sensitivity Band (Hold)

The reading hold function captures and holds a stable reading on the display. The multimeter beeps and holds the value when it detects a stable reading. The sensitivity band in reading hold decides which reading is stable enough. This band is expressed as a percent of reading on the selected range. The multimeter considers a reading stable when three consecutive values are within the band. You has an option to adjust this sensitivity band.

Default

The default band is 0.1%. User’s selection is stored in a volatile memory and it will be cleared after the meter has been turned off.

How to adjust the sensitivity band

You can adjust the sensitivity band through either the front panel operation or the remote interface operation.

Front Panel Operation

In order to adjust the sensitivity band, please press MENU button then use ◀ and ▶ buttons to find “TRIG” submenu. Press ENTER to select it. Then again use ◀ and ▶ buttons to find “READ HOLD” submenu. Press ENTER to choose it. Then use ◀ and ▶ buttons to choose a desired band. Press ENTER to set the desired sensitivity band. The locations of the buttons are shown with red rectangle frames in **Figure 4-30**.

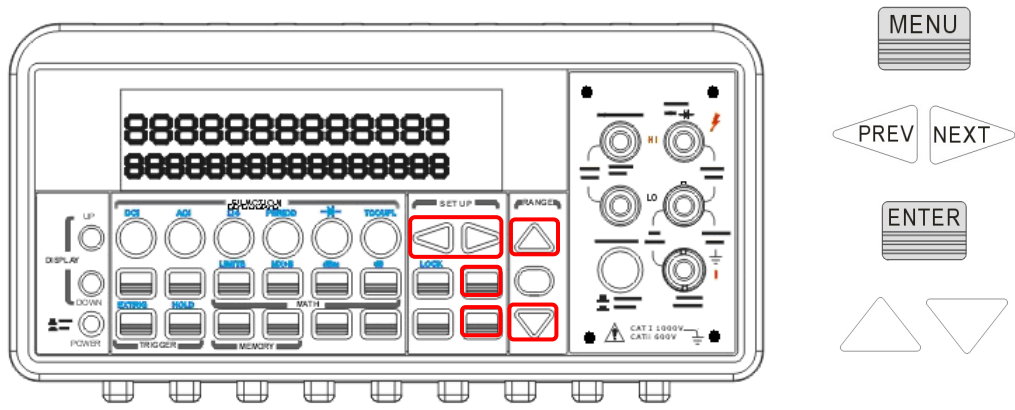
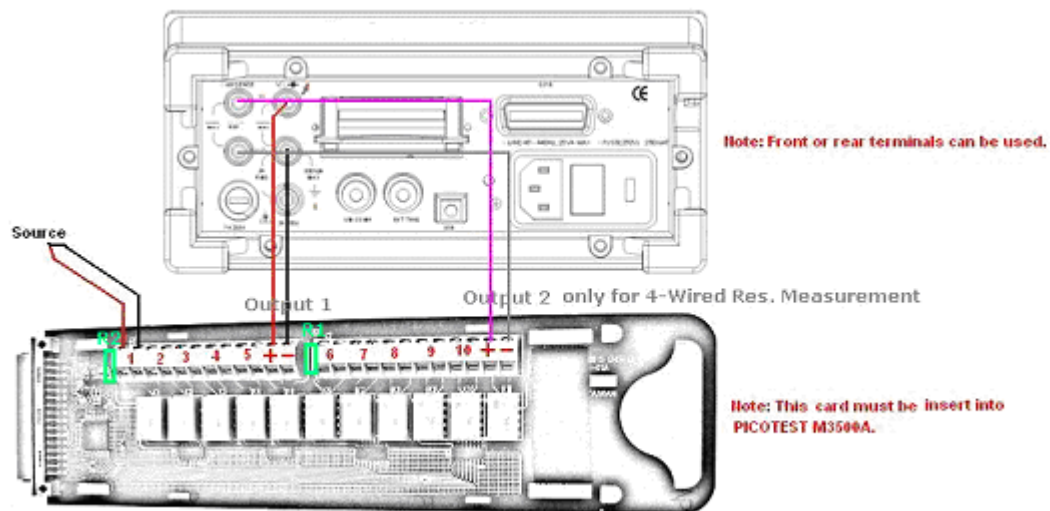


Figure 4-30

4.4.5 Scanning (Scan)

You can purchase an optional scanner card for multi-function applications. We provide three kinds of the cards, A120000 (10 CH for general purpose as the example below), A120002 (20CH for general purpose), and A120004 (10 CH for general purpose plus thermocouple and RTD measurements). When using it, it's important to press the "Terminals" on the front panel in order to change the control to the rear. For more information, refer to their user's guides.

This multipoint scanner card lets you switch and scan up to 10 channels of input signals. You can open and close individual channels, set scan count and scan interval, store measurement readings and activate measuring through channels defined with different measurement functions. The measurements are taken through all defined channels in sequence. The scan count limits the total number of measurements the multimeter makes through all defined channels in one single scanning operation. The scan interval is the period of time the multimeter waits before it makes a measurement through the first defined channel. The configuration made by you is stored in a volatile memory and will be cleared after the meter is turned off.



※ Note: The output 2 is only for 4-wired resistance measurement. Please refer to the above picture for more connection information. When you use 4-wired resistance measurement with scanner card, please note that the channel 1 is relative to the channel 6, channel 2 to channel 7 and so on.

※ Note: Setting range of scanner card is only limited on DCV, DCI, ACV, ACI and Resistance functions. As to the current measurements, you can install current shunts on the circuit board R1 and R2 to allow indirect AC and DC current measurements to be made through channels 1 and 6 only.

Remark 1: In the default situation, current shunts are not installed in the scanner card.

Remark 2: When the current shunts are installed the channel 1 and channel 6 will be limited to the current measurement unless you release the shunts of the R1 and R2.)

※ Note: The Information regarding the Limitation of Input Signals in Scanner Card is in the following statement.

10 Channels: 10 channels of 2-pole relay input. All channels configurable to 4-pole.

CAPABILITIES: Multiplex one of ten 2-pole or one of five 4-pole signals into DMM.

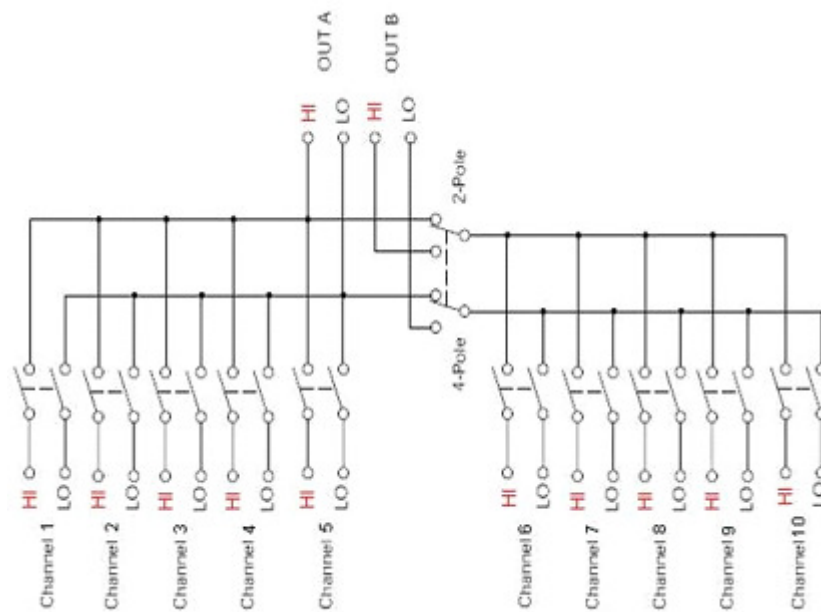
INPUTS

Maximum Signal Level:

DC Signals: 110V DC, 1A switched, 30VA maximum (resistive load).
 AC Signals: 125V AC rms or 175V AC peak, 100kHz maximum, 1A switched, 62.5VA maximum (resistive load).
 Contact Life: >100000 operations at maximum signal level; >100000000 operations cold switching.
 Contact Resistance: <1ohm at end of contact life.
 Actuation Time: 5ms maximum on/off.
 Contact Potential: <±500nV typical per contact, 1µV max.
 <±500nV typical per contact pair, 1µV max.
 Connector Type: Screw terminal, #22 AWG wire size.
 Isolation Between Any Two Terminals: >10 Gohm, <75pF.
 Isolation Between Any Terminal and Earth: >10 Gohm, <150pF.
 Common Mode Voltage: 350V peak between any terminal and earth.
 Maximum Voltage Between Any Two Terminals: 200V peak.
 Maximum Voltage Between Any Terminal and 12061 Input LO: 200V peak.

ENVIRONMENTAL: Meets all 12061 environmental specifications.

12061-opt01 Scanner Card Configuration & Speed List:



Speed of Scanner Card Measurement

AutoZero OFF,AutoGain OFF,AutoRange OFF, Scan Timer=0,60Hz			
single function(VDC)	NPLC	Take Time with 2000 Readings(sec)	rate(ch/s)
	(Fast 4.5) 0.02	68	29.4
	(Slow 4.5 & Fast 5.5) 0.1	74	27.0

	(Slow 5.5 & Fast 6.5) 1	105	19.0
	(Slow 6.5) 10	408	4.9
Mix function (VDC+2WRES)	NPLC	Take Time with 2000 Readings(sec)	rate(ch/s)
	(Fast 4.5) 0.02	306	6.5
	(Slow 4.5 & Fast 5.5) 0.1	318	6.3
	(Slow 5.5 & Fast 6.5) 1	442	4.5
	(Slow 6.5) 10	1710	1.2

How to program each channel with measurement function

Press CONFIG + SHIFT + DIGITS for scanning configuration. Use ◀ and ▶ to scroll through submenus. Press ENTER on "SET SCAN CHA" submenu. Use ◀ and ▶ to switch from channel 1 to channel 10, and use ▲ and ▼ to switch among the measurement functions. Leave an unused channel with a blank space (----). Press ENTER when ten channels are all defined.

How to configure scan count, scan interval and store measurement readings

Press CONFIG + SHIFT + DIGITS for scanning configuration. Use ◀ and ▶ buttons to scroll through submenus. Press ENTER to select "OPERATION" submenu. Use ◀ and ▶ to switch among scan count (COUNT), scan interval (TIMER) and store (STORE) options. Then press ENTER on your selection. Use ◀ and ▶ to move through the digits and ▲ and ▼ to increase or decrease the numbers to a desired value. For STORE option, you can select ON to instruct the meter to store the measurement results for later retrieving or select OFF. Press ENTER to set the value.

How to open and close the channels

Press CONFIG + SHIFT + DIGITS for scanning configuration. Use ◀ and ▶ buttons to scroll through submenus. Press ENTER on "----" when you need to close a specific channel. Press ENTER again on "CHANNEL". Use ◀ and ▶ to move through the digits and ▲ and ▼ to increase or decrease the numbers to the desired channel number. Press ENTER to close the channel. To open all channels, simply press ENTER on "OPEN ALL" option. Press SHIFT + DIGITS to scan.

The locations of the buttons are shown with red rectangle frames in **Figure 4-31**.

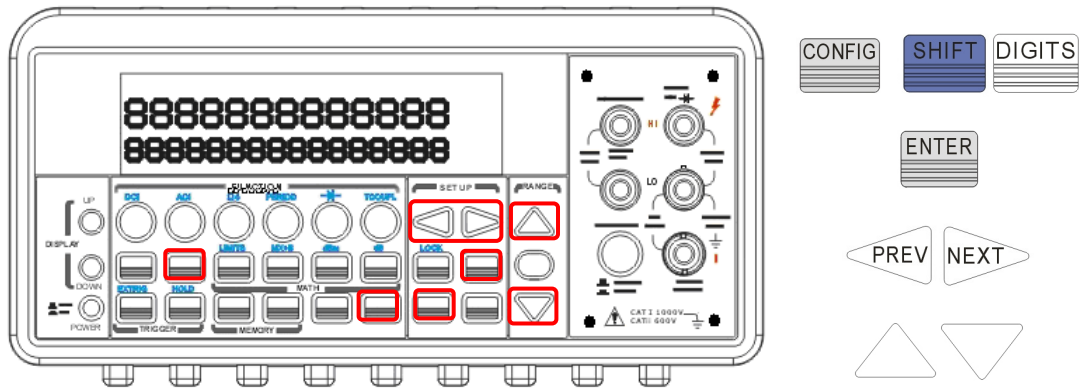


Figure 4-31

4.4.6 Stepping (Step)

Stepping is scanning with a specified time delay between taking input signal through the defined channels.

※ **Note:** Setting range of scanner card is only limited on DCV, DCI, ACV, ACI and Resistance functions.

How to program each channel with measurement function

Press CONFIG + SHIFT + FILTER for scanning configuration. Use ◀ and ▶ to scroll through submenus. Press ENTER on "SET SCAN CHA" submenu. Use ◀ and ▶ to switch from channel 1 to channel 10, and use ▲ and ▼ to switch among the measurement functions. Leave an unused channel with a blank space (----). Press ENTER when ten channels are all defined.

How to configure scan count, scan interval and store measurement readings

Press CONFIG + SHIFT + FILTER for scanning configuration. Use ◀ and ▶ buttons to scroll through submenus. Press ENTER to select "OPERATION" submenu. Use ◀ and ▶ to switch among scan count (COUNT), scan interval (TIMER) and store (STORE) options. Then press ENTER on your selection. Use ◀ and ▶ to move through the digits and ▲ and ▼ to increase or decrease the numbers to a desired value. For

STORE option, you can select ON to instruct the meter to store the measurement results for later retrieving or select OFF. Press ENTER to set the value.

How to open and close the channels

Press CONFIG + SHIFT + FILTER for scanning configuration. Use ◀ and ▶ buttons to scroll through submenus. Press ENTER on "----" when you need to close a specific channel. Press ENTER again on "CHANNEL". Use ◀ and ▶ to move through the digits and ▲ and ▼ to increase or decrease the numbers to the desired channel number. Press ENTER to close the channel. To open all channels, simply press ENTER on "OPEN ALL" option. Press SHIFT + FILTER to scan as shown as **Figure 4-32**.

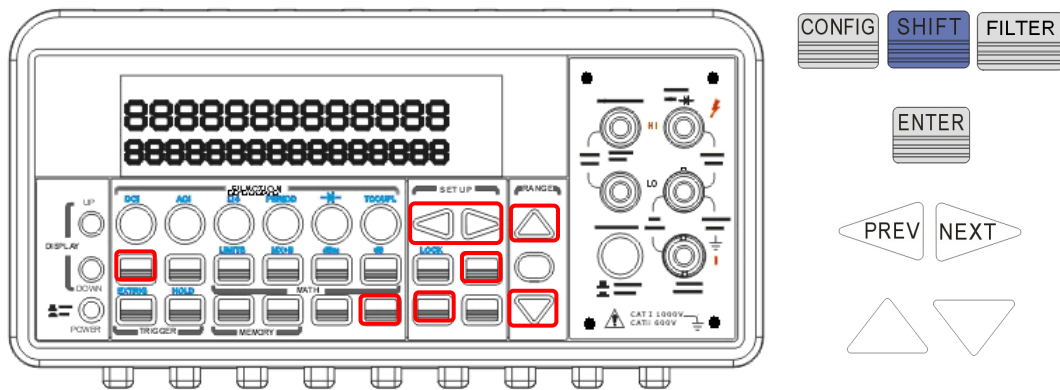


Figure 4-32

4.4.7 Initial Mode

The section contains two selections: "DEFAULT" and "SAVE DATA". You can select "SAVE DATE" to save the current configuration or select "DEFAULT" to restore the factory value after restarting 12061. The valid range of "SAVE DATA" is listed in **Table 4-5**.

No.	Items of Save Data	Contents
1	Continuity	Threshold Resistance
2	Diode	Boundary Voltage
3	Temperature (RTD)	Sensor · Types · Units · USER define · SPRTD
4	Thermocouple	Types, Units, R Junction

5	Step & Scan	Count, Timer
6	dBm	Reference Resistance
7	MX+B	Values: M, B
8	Reading Hold	Sensitivity Band
9	Input R	DC Input Resistance
10	Interface	USB · GPIB ADDR · RS232 baud & parity
11	System	Language · Beep · IDN string

Table 4-5

How to save the settings

Press MENU and then use ◀ and ▶ to locate "SYSTEM" submenu. Press ENTER to select it. Again use ◀ and ▶ to locate "INIT MODE" submenu, and then press ENTER to select it. Use ◀ and ▶ to switch from "SAVE DATA" and "DEFAULT". Press ENTER on "SAVE DATA" to save your current setting, or press ENTER on "DEFAULT" to return to default setting. The locations of the buttons are shown with red rectangle frames in **Figure 4-33**.

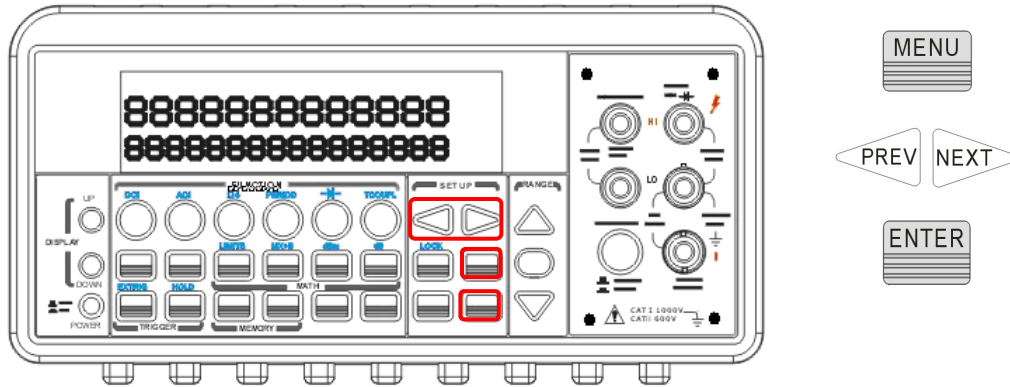


Figure 4-33

4.4.8 Language

12061 supports two languages: DEFAULT (12061) and COMPATIBLE.

How to set up the language

Press MENU and then use ◀ and ▶ to locate "SYSTEM" submenu. Press ENTER to select it. Again use ◀ and ▶ to locate "LANGUAGE" submenu. Press ENTER to select it. Use ◀ and ▶ to switch from DEFAULT (12061)

and COMPATIBLE. Press ENTER on your selection. The locations of the buttons are shown with red rectangle frames in **Figure 4-34**.

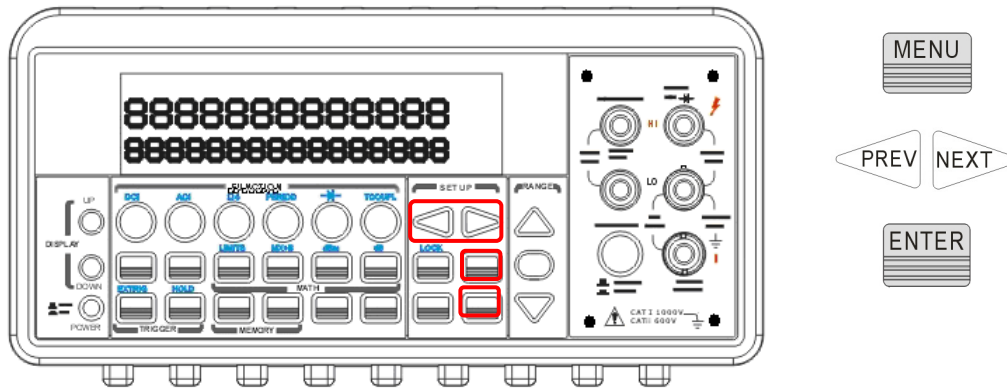


Figure 4-34

4.4.9 Error Condition

The error annunciator on the front panel display tells about the error condition of the multimeter. If there are one or more syntax or hardware errors found, the error annunciator will be lit to inform you. The multimeter stores errors using the first-in-first-out (FIFO) order and it records up to 20 errors in the error queue. The first error detected will be the first error retrieved. Refer to Chapter 6 for the list of error messages.

5. The error annunciator will be turned off when you have read the errors in the memory.
6. If there is no error found when you check the error queue, the multimeter shows **"NO ERRORS"**.
7. If there are more than 20 errors found, the last error in the error queue will be replaced with **"-350"**, means too many errors.
8. The error queue is cleared when the multimeter is turned off, or when a *CLS command is received.

How to check the error queue

Press MENU then use ◀ and ▶ to locate "SYSTEM" submenu. Press ENTER to select it. Again use ◀ and ▶ to locate "ERROR" option. Press ENTER to select it. The message about error queue will show on the display. Refer to Chapter 6 for the descriptions of all the error

messages. The locations of the buttons are shown with red rectangle frames in **Figure 4-35**.

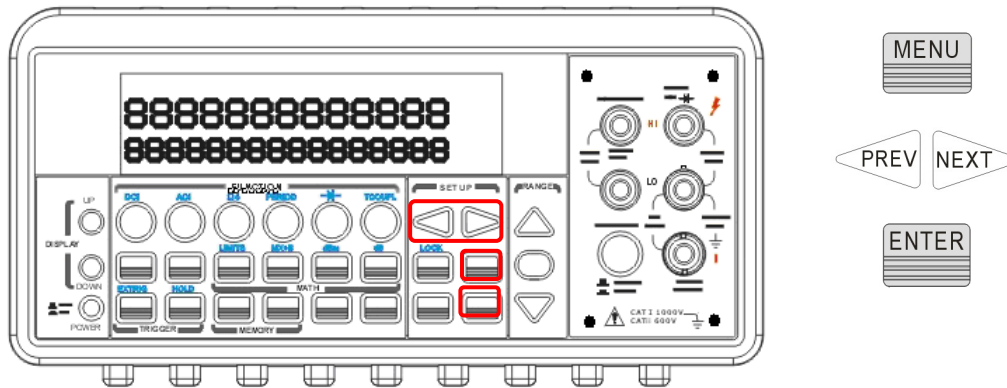


Figure 4-35

4.4.10 Firmware Revision

12061 has three microprocessors for various internal systems. You can query the multimeter to determine which revision of firmware is installed for each microprocessor.

How to check the firmware revision

Press MENU and then use ◀ and ▶ to locate "SYSTEM" submenu. Press ENTER to select it. Again use ◀ and ▶ to locate "REVISION" option. Press ENTER to select it. The multimeter gives three numbers in xx-xx-xx format on the display. The first number is the firmware revision number for the measurement microprocessor; the second number is for I/O processor and the third number is for the front-panel processor. The locations of the buttons are shown with red rectangle frames in **Figure 4-36**.

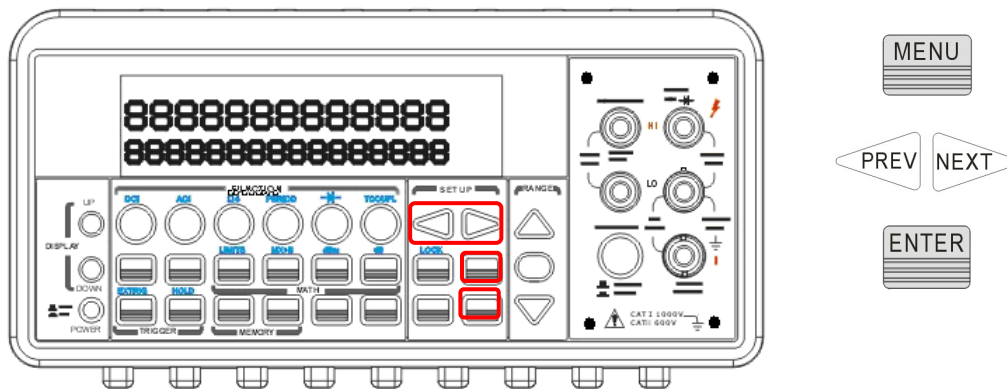


Figure 4-36

4.4.11 Calibration

12061 will show the latest calibrated date and the next calibration date on the display after following the operation below. The location of the buttons is shown with red rectangle frames in **Figure 4-37**.

How to see the calibration information

Press MENU then locate "CALIBRATE" option using ◀ and ▶. Press ENTER to select it. Use ◀ and ▶ to switch from the last calibrated date and the next calibration date.

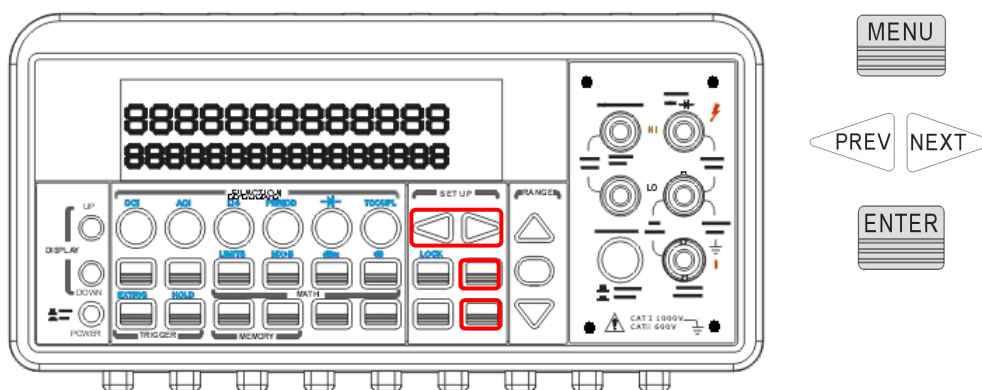



Figure 4-37

For more calibration procedure information, please contact your local distributor.

4.4.12 Self-test

Self-test procedures are built in 12061 for checking that the logic and measurement hardware are functioning properly. Every time when the multimeter is powered on, a set of test procedures is performed to make sure the basic function of the multimeter works properly. If any error occurs during self-test procedures, it indicates that parts of the multimeter are not operating properly and need to be serviced.

 **Warning!** Erroneous self-test failures may occur if the setting of power line voltage is incorrect. Errors may also occur because of signals present on the input terminal (front and rear) during self-test procedure. Long test leads can act as an antenna causing pick-up of ac signals.

How to execute Self-test

You may execute a complete self-test by front panel operation. This test procedure provides more tests for the hardware of 12061 than the power-on tests. Please follow the **Figure 4-38** direction and procedure below to perform the complete self-test.

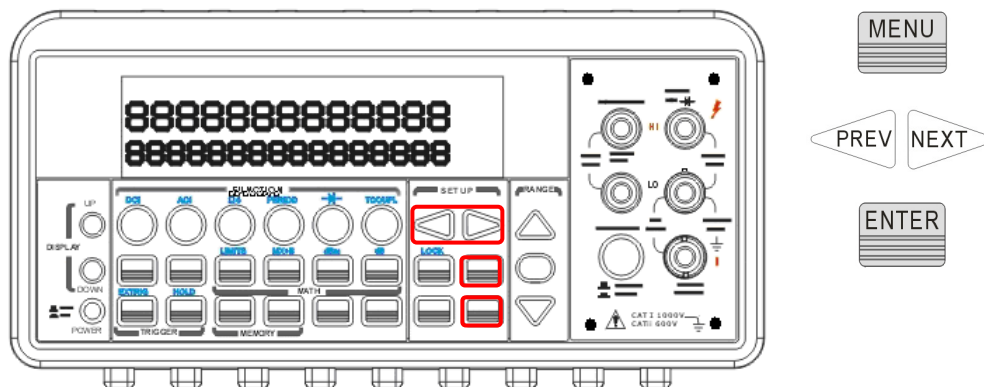


Figure 4-38

Procedure: MENU → SYSTEM → SELF TEST

After self-test procedure, the result, PASS or FAIL, will be shown. If the

result is FAIL, the "ERR" annunciator on the display panel will be lit, and error codes will be stored. You can check the error codes by the following procedure.

Procedure: MENU → SYSTEM → ERROR

The descriptions of self-test procedures are listed below including test number, purpose, test setup, and failure criteria.

601 Front panel does not respond The main CPU U1601 attempts to establish serial communications with the front panel processor U3. Communication must function in both directions for this test to pass.

602 RAM read/write failed This test writes and reads a 55h and AAh checker board pattern to each address of ram U1701. Any incorrect read back will cause a test failure. This error is only readable from the remote interface.

603 Front-End MCU does not respond The main CPU U1601 attempts to establish serial communications with the *front-end* processor U2001. Communication must function in both directions for this test to pass.

604 A/D noisy test failed This test configures to the 10V dc range with the internal 0V. A 20ms ADC measurement is performed and the result is checked against a limit of $0V \pm 20\mu V$

605 N2 calibration parameter failed This error message indicates that N2 calibration parameter is out of range.

606 N3 calibration parameter failed This error message indicates that N3 calibration parameter is out of range.

607 Buffer1 offset out of range This procedure is to test the offset of buffer U507. The result is checked against a limit of $0 \pm 0.1\text{mV}$

608 Buffer2 offset out of range This procedure is to test the offset of buffer U508. The result is checked against a limit of $0 \pm 0.1\text{mV}$

609 DC gain x1 failed This procedure is to test the tolerance of DC gain×1 amplifier. The limit of gain tolerance is ± 0.005 .

610 DC gain x10 failed This procedure is to test the tolerance of DC gain×10 amplifier. The limit of gain tolerance is ± 0.05 .

611 DC gain x100 failed This procedure is to test the tolerance of DC gain×100 amplifier. The limit of gain tolerance is ± 0.5 .

612 Ohms 500 nA source failed This test configures to the 10V dc range with the internal 10M 100:1 divider R204 connected across the input. The 500nA ohms current source is connected to produce a nominal 5V signal. A 20ms ADC measurement is performed and the result is checked against a limit of $5V \pm 1V$.

613 Ohms 5 uA source failed This test configures to the 1000V dc range with the internal 10M 100:1 divider R204 connected across the input. The $5 \mu A$ ohms current source is connected. The compliance limit of the current source is measured. A 20ms ADC measurement is performed and the result is checked against a limit of $0.12V \pm 0.01V$.

614 DC 1000V zero failed This test configures to the 1000V dc range with no input applied. A 20ms ADC measurement is performed and the result is checked against a limit of $0V \pm 5 \text{ mV}$.

615 Ohms 10 uA source failed This test configures to the 1000V dc range with the internal 10M 100:1 divider R204 connected across the input. The $10 \mu A$ ohms current source is connected. The compliance limit of the current source is measured. A 20ms ADC measurement is performed and the result is checked against a limit of $0.12V \pm 0.01V$.

616 DC current sense failed This test configures to the 3A dc range. A 20ms ADC measurement is performed and the result is checked against a limit of $0A \pm 5A$. This test confirms that the dc current sense path is functional. The test limit is set wide because K303 does not open the current input during self-test. This test should catch a dc current sense failure without causing false failures when current inputs are applied

during self-test.

617 Ohms 100 μ A source failed This test configures to the 1000V dc range with the internal 10M 100:1 divider R204 connected across the input. The 100 μ A ohms current source is connected. The compliance limit of the current source is measured. A 20ms ADC measurement is performed and the result is checked against a limit of $0.12V \pm 0.01V$.

618 DC high voltage attenuator failed This test configures to the 1000 V dc range. The 500nA ohms current source is connected to produce a nominal 5V signal. A 20ms ADC measurement is performed and the result is checked against a limit of $5V \pm 1V$.

619 Ohms 1 mA source failed his test configures to the 1000V dc range with the internal 10M 100:1 divider R204 connected across the input. The 1mA ohms current source is connected. The compliance limit of the current source is measured. A 20ms ADC measurement is performed and the result is checked against a limit of $0.12V \pm 0.01V$.

620 AC rms zero failed This test configures for the 100mV ac range with the ac input grounded. The internal residual noise of the ac section is measured and checked against a limit of -10mV to 70mV at the output of the rms-to-dc converter.

621 AC rms full scale failed This test configures for the 100mV ac range. The 1mA ohms current source is switched on to charge the ac input capacitor C614. This produces a pulse on the output of the rms-to-dc converter which is sampled 100ms after the current is applied. A 20ms A/D measurement is performed and checked against a limit of 2V to 13V into the ADC.

622 DC 10V reference failed This test configures to the 10V dc range with 5V input applied. A 20ms ADC measurement is performed and the result is checked against a limit of $4.55V \pm 0.15mV$.

624 Unable to sense line frequency The supplied voltage AC2 is routed through a comparator U4 to generate a logic input signal. This test checks that the logic input from U4 to panel MCU U3 is toggling. If no

logic input is detected, the instrument will assume 50Hz line operation for all future measurements.

650 Front-End MCUs Firmware Version Error (System Error)

660 Firmware Version Error

661 External Memory Version Error

662 Calibration Version Error

663 Scanner card Version Error

664 Temperature Version Error

665 GPIB Version Error

666 RS-232 Version Error

668 Manual Calibration Version Error

669 Self-Test Version Error

670 Command Version Error

5 Remote Interface Operations

12061 supports two remote interfaces: the built-in USB and optional GPIB (IEEE-488). With GPIB, you will need a GPIB interface card. This chapter lists the SCPI (Standard Commands for Programmable Instrument) commands available to control the multimeter. For the first time to use SCPI, you would better to refer to Appendix B. for SCPI reference.

5.1 Pass/Fail Output From USB Connector

The USB connector, which conforms to USBTMC protocol, on the rear panel of 12061 is a series "B" connector. When the USB interface is **disabled** (IEEE-488 interface is selected), the internal pass and fail TTL output signals (limit testing) will be connected to the USB connector.

The pass and fail signals are low true and indicate the Math Pass/Fail Limit Test result for the **next** reading to be output to the GPIB interface. The signals are active low for approximately 2ms ($\pm 100 \mu\text{sec}$) for each reading taken. **Figure 2-17** shows the USB connector (series "B").

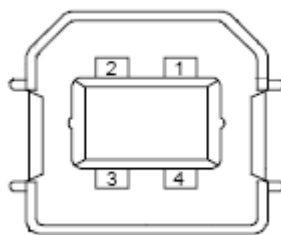


Figure 2-17

Contact Number	Signal Name	Typical Wiring Assignment	Description
1	VBUS	Red	Floating
2	D-	White	Limit Test Pass
3	D+	Green	Limit Test Fail
4	GND	Black	GND

Table 5-1

If you disable the USB interface, the Pass/Fail output function will enable automatically. Please follow the procedure below to enable/disable this function.

Procedure: MENU → INTERFACE → USB → ENABLE/DISABLE

Or you can do this by the other way:

**Procedure:
CONFIG+SHIFT+RATIO → OUTPUT → ENALBLE/DISABLE**



Warning! You can't use the USB interface if you want to enable the Pass/Fail signal output. You must use the GPIB interface for remote control. Please disconnect the USB cable from you multimeter. The signal from the USB cable may make the Pass/Fail signal output abnormal.

5.2 Setting Up For Remote Interface

You may use the 12061 application developed by CHROMA to remotely control the multimeter through either USB or GBIP interface.

How to set up for USB interface

The USB cord should be connected well between 12061 and your PC. Install the 12061 application in your PC and execute the program. Click Tool tab for Command Control, then type in your command. The icons and buttons are shown with red rectangle frames in **Figures 5-1, 5-2** and **5-3**.

※ Note: The icons, pictures and words will be changed or edited with different versions without informing.

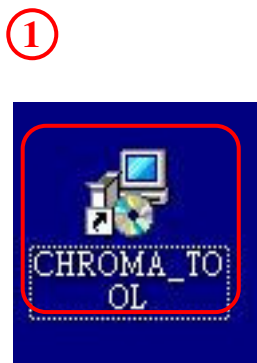


Figure 5-1

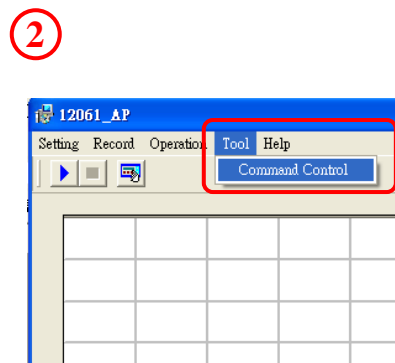


Figure 5-2

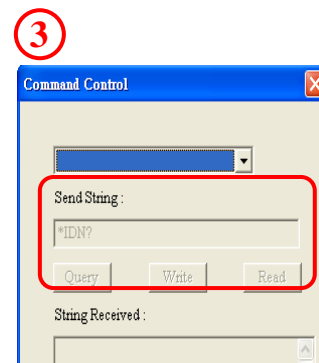


Figure 5-3

How to set up for GPIB interface

Insert GPIB interface card into the interface slot on the rear panel. Install the 12061 application in your PC and execute the program. Click Tool tab for Command Control, then type in your command. The icons and buttons are shown with red rectangle frames in **Figures 5-1, 5-2** and **5-3**.

5.3 Remote Interface Commands

You can instruct the multimeter to take measurements using the SCPI commands after the appropriate setup for their selected remote interface.

The following conventions are used in SCPI command syntax. Triangle brackets (<>) indicates that you must specify a value for the enclosed parameter. The square brackets ([]) indicates that the parameter is optional and can be omitted. The braces ({}) enclose the parameter choices for a given command string. A vertical bar (|) separates several choices for a parameter.

The MEASure? Command

Although it does not offer much flexibility, using the MEASure? Command is the simplest way to program the multimeter for measurements. You select the measurement function, range and resolution, the multimeter

automatically sets the other parameters for you, make the measurement and send the result to the output buffer.

MEASure:

VOLTage:DC? {<range>|MIN|MAX|DEF},{<resolution>|MIN|MAX|DEF}
VOLTage:DC:RATio? {<range>|MIN|MAX|DEF},{<resolution>|MIN|MAX|DEF}
VOLTage:AC? {<range>|MIN|MAX|DEF},{<resolution>|MIN|MAX|DEF}
CURRent:DC? {<range>|MIN|MAX|DEF},{<resolution>|MIN|MAX|DEF}
CURRent:AC? {<range>|MIN|MAX|DEF},{<resolution>|MIN|MAX|DEF}
RESistance? {<range>|MIN|MAX|DEF},{<resolution>|MIN|MAX|DEF}
FRESistance? {<range>|MIN|MAX|DEF},{<resolution>|MIN|MAX|DEF}
FREQuency? {<range>|MIN|MAX|DEF},{<resolution>|MIN|MAX|DEF}
PERiod? {<range>|MIN|MAX|DEF},{<resolution>|MIN|MAX|DEF}
CONTInuity?
DIODe?
TCOuple?
TEMPerature?

The CONFigure Command

The CONFigure command offers a little more flexibility than the MEASure? Command. The multimeter sets the parameters for the requested function, range and resolution, but does not make the measurements. You have an option to change the configuration. To initiate the measurement, use INITiate or READ? Command.

CONFigure:

VOLTage:DC {<range>|MIN|MAX|DEF},{<resolution>|MIN|MAX|DEF}
VOLTage:DC:RATio {<range>|MIN|MAX|DEF},{<resolution>|MIN|MAX|DEF}
VOLTage:AC {<range>|MIN|MAX|DEF},{<resolution>|MIN|MAX|DEF}
CURRent:DC {<range>|MIN|MAX|DEF},{<resolution>|MIN|MAX|DEF}
CURRent:AC {<range>|MIN|MAX|DEF},{<resolution>|MIN|MAX|DEF}
RESistance {<range>|MIN|MAX|DEF},{<resolution>|MIN|MAX|DEF}
FRESistance {<range>|MIN|MAX|DEF},{<resolution>|MIN|MAX|DEF}
FREQuency {<range>|MIN|MAX|DEF},{<resolution>|MIN|MAX|DEF}
PERiod {<range>|MIN|MAX|DEF},{<resolution>|MIN|MAX|DEF}
CONTInuity

DIODe
TCOuple
TEMPerature

CONFigure?

The READ? Command

The READ? Command changes the state of the trigger system from the "idle" state to the "wait-for-trigger" state. When the specified trigger condition requirements are met after the multimeter receives the READ? command, the measurement will be initiated. The results are sent to the output buffer right away. You must enter the reading data into your bus controller or the multimeter will stop making measurements when the output buffer fills. Readings are not stored in the multimeter's internal memory when using the READ? Command.

Using the READ? Command has a similar effect as using the INITiate command followed immediately by the FETCh? command, except readings are not buffered internally.

The INITiate and FETCh? Commands

These two commands provide the lowest level of control of measurement triggering and reading retrieval, but offer the most flexibility. After you have configured the multimeter, use INITiate command to change the state of the triggering system from the "idle" state to the "wait-for-trigger" state. The multimeter will start the measurements when the specified trigger condition requirements are met after it receives the INITiate command. The results are sent to the internal memory and stored until you are ready to read them.

The FETCh? command sends the data in the multimeter's internal memory to the output buffer where you can read them into your bus controller.

The SENSE Commands

※ NOTE: Default parameters are shown in ***bold italic***.

[SENSe:]

FUNcTion "VOLTage:DC"

FUNcTion "VOLTage:DC:RATio"

FUNcTion "VOLTage:AC"

FUNcTion "CURRent:DC"

FUNcTion "CURRent:AC"

FUNcTion "RESistance" (2-wire Ω)

FUNcTion "FRESistance" (4-wire Ω)

FUNcTion "FREQuency"

FUNcTion "PERiod"

FUNcTion "CONTinuity"

FUNcTion "DIODE"

FUNcTion "TCouple"

FUNcTion "TEMPerature"

FUNcTion?

[SENSe:]

VOLTage:DC:RANGe {<range>|MINimum|MAXimum}

VOLTage:DC:RANGe? [MINimum|MAXimum]

VOLTage:AC:RANGe {<range>|MINimum|MAXimum}

VOLTage:AC:RANGe? [MINimum|MAXimum]

CURRent:DC:RANGe {<range>|MINimum|MAXimum}

CURRent:DC:RANGe? [MINimum|MAXimum]

CURRent:AC:RANGe {<range>|MINimum|MAXimum}

CURRent:AC:RANGe? [MINimum|MAXimum]

RESistance:RANGe {<range>|MINimum|MAXimum}

RESistance:RANGe? [MINimum|MAXimum]

FRESistance:RANGe {<range>|MINimum|MAXimum}

FRESistance:RANGe? [MINimum|MAXimum]

FREQuency:VOLTage:RANGe {<range>|MINimum|MAXimum}

FREQuency:VOLTage:RANGe? [MINimum|MAXimum]

PERiod:VOLTage:RANGe {<range>|MINimum|MAXimum}

PERiod:VOLTage:RANGe? [MINimum|MAXimum]

[SENSe:]

VOLTage:DC:RANGe:AUTO {OFF|**ON**}

VOLTage:DC:RANGe:AUTO?

VOLTage:AC:RANGe:AUTO {OFF|**ON**}
VOLTage:AC:RANGe:AUTO?
CURRent:DC:RANGe:AUTO {OFF|**ON**}
CURRent:DC:RANGe:AUTO?
CURRent:AC:RANGe:AUTO {OFF|**ON**}
CURRent:AC:RANGe:AUTO?
RESistance:RANGe:AUTO {OFF|**ON**}
RESistance:RANGe:AUTO?
FRESistance:RANGe:AUTO {OFF|**ON**}
FRESistance:RANGe:AUTO?
FREQuency:VOLTage:RANGe:AUTO {OFF|**ON**}
FREQuency:VOLTage:RANGe:AUTO?
PERiod:VOLTage:RANGe:AUTO {OFF|**ON**}
PERiod:VOLTage:RANGe:AUTO?

[SENSe:]

VOLTage:DC:RESolution {<resolution>|MINimum|MAXimum}
VOLTage:DC:RESolution? [MINimum|MAXimum]
VOLTage:AC:RESolution {<resolution>|MINimum|MAXimum}
VOLTage:AC:RESolution? [MINimum|MAXimum]
CURRent:DC:RESolution {<resolution>|MINimum|MAXimum}
CURRent:DC:RESolution? [MINimum|MAXimum]
CURRent:AC:RESolution {<resolution>|MINimum|MAXimum}
CURRent:AC:RESolution? [MINimum|MAXimum]
RESistance:RESolution {<resolution>|MINimum|MAXimum}
RESistance:RESolution? [MINimum|MAXimum]
FRESistance:RESolution {<resolution>|MINimum|MAXimum}
FRESistance:RESolution? [MINimum|MAXimum]

[SENSe:]

UNIT {**Cell**|Far|K}
UNIT?
TCouple:TYPE {E|J|**K**|N|R|S|T}
TCouple:TYPE?
TCouple:RJUNction:SIMulated {<value>|MINimum|MAXimum}
TCouple:RJUNction:SIMulated?

[SENSe:]

TEMPerature:RTD:TYPE {**PT100**|D100|F100|PT385|PT3916|USER|SPRTD|NTCT}
TEMPerature:RTD:TYPE?
TEMPerature:RTD:RZERo {<value>|MINimum|MAXimum}
TEMPerature:RTD:RZERo? [MINimum|MAXimum]
TEMPerature:RTD:ALPHa {<value>|MINimum|MAXimum}
TEMPerature:RTD:ALPHa? [MINimum|MAXimum]
TEMPerature:RTD:BETA {<value>|MINimum|MAXimum}
TEMPerature:RTD:BETA? [MINimum|MAXimum]
TEMPerature:RTD:DELTA {<value>|MINimum|MAXimum}
TEMPerature:RTD:DELTA? [MINimum|MAXimum]
TEMPerature:SPRTD:RZERo {<value>|MINimum|MAXimum}
TEMPerature:SPRTD:RZERo? [MINimum|MAXimum]
TEMPerature:SPRTD:A4 {<value>|MINimum|MAXimum}
TEMPerature:SPRTD:A4? [MINimum|MAXimum]
TEMPerature:SPRTD:B4 {<value>|MINimum|MAXimum}
TEMPerature:SPRTD:B4? [MINimum|MAXimum]
TEMPerature:SPRTD:AX {<value>|MINimum|MAXimum}
TEMPerature:SPRTD:AX? [MINimum|MAXimum]
TEMPerature:SPRTD:BX {<value>|MINimum|MAXimum}
TEMPerature:SPRTD:BX? [MINimum|MAXimum]
TEMPerature:SPRTD:CX {<value>|MINimum|MAXimum}
TEMPerature:SPRTD:CX? [MINimum|MAXimum]
TEMPerature:SPRTD:DX {<value>|MINimum|MAXimum}
TEMPerature:SPRTD:DX? [MINimum|MAXimum]

[SENSe:]

VOLTage:DC:NPLCycles {0.02|0.1|**1**|10|MINimum|MAXimum}
VOLTage:DC:NPLCycles? [MINimum|MAXimum]
CURRent:DC:NPLCycles {0.02|0.1|**1**|10|MINimum|MAXimum}
CURRent:DC:NPLCycles? [MINimum|MAXimum]
RESistance:NPLCycles {0.02|0.1|**1**|10|MINimum|MAXimum}
RESistance:NPLCycles? [MINimum|MAXimum]
FRESistance:NPLCycles {0.02|0.1|**1**|10|MINimum|MAXimum}
FRESistance:NPLCycles? [MINimum|MAXimum]

[SENSe:]

FREQuency:APERture {0.01|**0.1**|1|MINimum|MAXimum}
FREQuency:APERture? [MINimum|MAXimum]
PERiod:APERture {0.01|**0.1**|1|MINimum|MAXimum}
PERiod:APERture? [MINimum|MAXimum]

[SENSe:]

DETEctor:BANDwidth {3|**20**|200|MINimum|MAXimum}
DETEctor:BANDwidth? [MINimum|MAXimum]

[SENSe:]

AVERAge:TCONtrol {**MOVing**|REPeat}
AVERAge:TCONtrol?
AVERAge:COUNT {<value>|MINimum|MAXimum}
AVERAge:COUNT? [MINimum|MAXimum]
AVERAge:STATe {OFF|**ON**}
AVERAge:STATe?

[SENSe:]

ZERO:AUTO {OFF|ONCE|**ON**}
ZERO:AUTO?

Other Measurement Configuration Commands

INPut:

IMPedance:AUTO {**OFF**|ON}
IMPedance:AUTO?

Scanner Card Configuration Commands

ROUTe:CLOSe <channel>
ROUTe:CLOSe?
ROUTe:OPEN
ROUTe:STATe?
ROUTe:SCAN:FUNcTION <channel>,{<function>|"VOLT:DC"|"VOLT:AC"|
"FREQuency"|"RESistance"|"FRESistance"|"NONE"}
ROUTe:SCAN:FUNc? <channel>

ROUTe:SCAN:TIMER?
ROUTe:SCAN:TIMER <value>
ROUTe:SCAN:COUNT?
ROUTe:SCAN:COUNT <value>
ROUTe:SCAN:STATe?
ROUTe:SCAN:SCAN
ROUTe:SCAN:STEP

MATH OPERATION Commands

There are eight math operations. Only one of them can be enabled at a time. They either store data for later use or perform mathematical operations on the readings. Note that these eight math operations are available to all measurement functions except continuity and diode testing.

The math operations use one or more internal registers. You can preset the values in some of the registers, while others hold the results of the math operations.

CALCulate:

FUNcTion {**PERCent**|AVERAge|NULL|LIMit|MXB|DB|DBM}
FUNcTion?
STATe {**OFF**|ON}
STATe?

CALCulate:

PERCent:TARGet {<value>|MINimum|MAXimum}
PERCent:TARGet? [MINimum|MAXimum]

CALCulate:

AVERAge:MINimum?
AVERAge:MAXimum?
AVERAge:AVERAge?
AVERAge:COUNT?

CALCulate:

NULL:OFFSet {<value>|MINimum|MAXimum}

NULL:OFFSet? [MINimum|MAXimum]

CALCulate:

LIMit:LOWer {<value>|MINimum|MAXimum}

LIMit:LOWer? [MINimum|MAXimum]

LIMit:UPPer {<value>|MINimum|MAXimum}

LIMit:UPPer? [MINimum|MAXimum]

CALCulate:

MXB:MMFactor {<value>|MINimum|MAXimum}

MXB:MMFactor? [MINimum|MAXimum]

MXB:MBFactor {<value>|MINimum|MAXimum}

MXB:MBFactor? [MINimum|MAXimum]

CALCulate:

DB:REFeRence {<value>|MINimum|MAXimum}

DB:REFeRence? [MINimum|MAXimum]

CALCulate:

DBM:REFeRence {<value>|MINimum|MAXimum}

DBM:REFeRence? [MINimum|MAXimum]

DATA:FEED RDG_STORE,{“CALCulate”|””}

DATA:FEED?

TRIGGERING

12061 provides a variety of trigger operations for you. You can select a trigger mode, a trigger source and different trigger settings for a specific measurement. Refer to **Figure 4-8** for triggering system flow chart. Triggering from a remote interface is a multi-step sequence. You must first configure the multimeter by choosing the desired function, range and resolution. Specify the trigger source from which the multimeter will accept the trigger. The multimeter takes immediate internal trigger, a software trigger from a remote interface and external trigger from the rear panel. Then be sure that the multimeter is ready for a trigger (in the “wait-for-trigger” state).

The multimeter accepts a trigger only when it is in the “wait-for-trigger”

state. When you have finished configuring the multimeter and have selected a trigger source, you need to place the multimeter in the "wait-for-trigger" state so it will take the trigger and make the measurement. The INITiate, READ? and MEASure? commands all place the multimeter to the "wait-for-trigger" state.

Triggering Commands

INITiate

READ?

TRIGger:

SOURce {BUS|**IMMediate**|EXTernal}

SOURce?

TRIGger:

DELay {<seconds>|MINimum|MAXimum}

DELay? [MINimum|MAXimum]

TRIGger:

DELay:AUTO {OFF|ON}

DELay:AUTO?

SAMPLE:

COUNT {<value>| MINimum|MAXimum }

COUNT? [MINimum|MAXimum]

TRIGger:

COUNT {<value>| MINimum|MAXimum|INFinite }

COUNT? [MINimum|MAXimum]

SYSTEM-RELATED Commands

Each system related operation performs a task that is not measurement related but plays an important role in making your measurements.

FETCh?

READ?

DISPlay {OFF|**ON**}

DISPlay?

DISPlay:

TEXT <quoted string>

TEXT?

TEXT:CLEAr

SYSTem:

BEEPer

BEEPer:STATe {OFF|**ON**}

BEEPer:STATe?

SYSTem:ERRor?

SYSTem:VERsion?

DATA:POINTs?

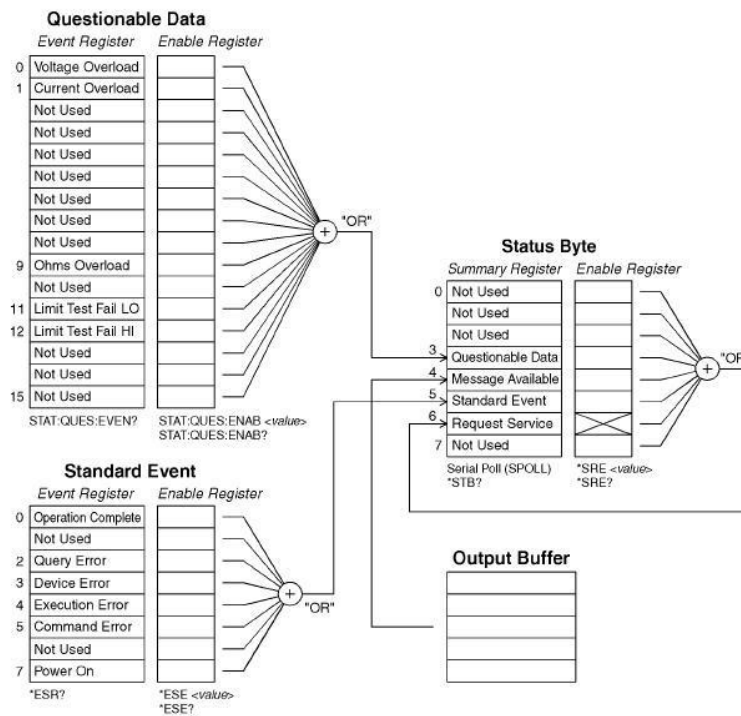
SYSTEM:IDNSTR "MANUFACTURER,PRODUCT"

*RST

*IDN?

L0

L1



STATUS I

SYSTem:ERRor?

STATus:

QUEStionable:ENABle <enable value>

QUEStionable:ENABle?

QUEStionable:EVENT?

STATus:PRESet

*CLS

*ESE <enable value>

*ESE?

*ESR?

*OPC

*OPC?

*PSC {0|1}

*PSC?

*SRE <enable value>

*SRE?

*STB?

Other Interface Commands

SYSTem:LOCal

SYSTem:REMOte

IEEE-488.2 COMMON Commands

*CLS

*ESE <enable value>

*ESE?

*ESR?

*IDN?

*OPC

*OPC?

*PSC {0|1}

*PSC?

*RST

*SRE <enable value>

*SRE?

*STB?

*TRG

6 Error Messages

Errors are retrieved in first-in-first-out (FIFO) order. The first error returned is the first error that was stored. When you have read all errors from the queue, the **ERROR** annunciator turns off. 12061 beeps once each time an error occurs.

Should more than 20 errors have existed, the last error stored in the queue (the most recent error) is replaced with -350, "Too many errors". No additional errors are saved until you remove errors from the queue, the multimeter responds with +0, "No error".

The error queue is cleared when power has been off or after a *CLS (clear status) command has been executed. The *RST (reset) command does not clear the error queue.

6.1 Error Type

There is only one type over here, "execution errors". If the errors you can't find here please contact with your seller for help.

6.1.1 Execution Errors

- **-101 Invalid character**

An invalid character was found in the command string.

- **-102 Syntax error**

Invalid syntax was found in the command string.

- **-103 Invalid separator**

An invalid separator was found in the command string.

- **-104 Data type error**

A parameter type error was found in the command string.

- **-105 GET not allowed**

A Group Execute Trigger (GET) is not allowed in the command string.

- **-108 Parameter not allowed**

More parameters were found than needed for the command .

- **-109 Missing parameter**

Not enough parameters were received for the command.

- **-112 Program mnemonic too long**

A command header with too many characters was received.

- **-113 Undefined header**

An invalid command was received.

- **-121 Invalid character in number**

An invalid character was found in the number specified for a parameter value.

- **-123 Numeric overflow**

A numeric parameter with exponent larger than 32000 was found.

- **-124 Too many digits**

A numeric parameter was found whose mantissa contained more than 255 digits, excluding leading zeros.

- **-131 Invalid suffix**

A suffix was incorrectly specified for a numeric parameter.

- **-138 Suffix not allowed**

A suffix was received following a numeric parameter which does not accept a suffix.

- **-148 Character not allowed**

A discrete parameter was received but a character string or a numeric parameter was expected.

- **-151 Invalid string data**

An invalid character string was received.

- **-158 String data not allowed**

A character string was received but not allowed for the command.

- **-160~-168 Block data errors**

Block data is not acceptable.

- **-170~-178 Expression errors**

The meter does not accept mathematical expression.

- **-211 Trigger ignored**

A Group Execute Trigger (GET) or *TRG was received but the trigger was ignored.

- **-213 Trigger deadlock**

A trigger deadlock occurs when the trigger source is BUS and a READ? Command is received

- **-214 Init Ignored**

An INITiate command was received but could not be executed because a measurement was already in progress. Send a device clear to halt a measurement in progress and place the meter in the "idle" state.

- **-221 Settings conflict**

This error can be generated in one of the following situations:

Situation 1: You sent a CONFigure or MEASure command with autorange enabled and with a fixed resolution.

Situation 2: You turned math on and then changed to a math operation that was not valid with the present measurement function.

- **-222 Data out of range**

A numeric parameter value is out of range.

- **-223 Too much data**

A character string was too long.

- **-224 Illegal parameter value**

A discrete parameter was received which was not a valid choice for the command.

- **-230 Data Stale**

A FETCh? Command was received but the memory was empty.

- **-350 Too many errors**

The error queue is full.

- **-410 Query INTERRUPTED**

A command was received which sends data to the output buffer, but the output buffer contained data from a previous command.

- **-420 Query UNTERMINATED**

The multimeter was addressed to talk (i.e., to send data over the interface) but a command has not been received which send data to the output buffer.

- **-430 Query DEADLOCKED**

A command was received which generates too much data to fit in the output buffer and input buffer is also full. Command execution continues but all data is lost.

- **-440 Query UNTERMINATED after indefinite response**

The *IDN? Command must be the last query command within a command string.

- **521 Input buffer overflow**

- **522 Output buffer overflow**

- **531 Insufficient memory**

There is not enough memory to store the requested number of readings in internal memory using the INITiate command. The product of the sample count (SAMPLE:COUNT) and the trigger count (TRIGGER:COUNT) must not exceed 512 readings.

- **532 Cannot achieve requested resolution**

The multimeter cannot achieve the requested measurement resolution. You may have specified an invalid resolution in the CONFIGure or MEASURE command.

- **540 Cannot use overload as math reference**

The multimeter cannot store an overload reading ($9.90000000E+37$) as the math reference for null or dB measurements. The math state is turned off as a result of this condition.

- **550 Command not allowed in local**

The multimeter received a READ? Command while in the local mode.

Appendix

This appendix contains the performance specifications of the 12061. It covers the AC, DC, Resistance, Temperature, and Frequency/Period characteristics under a variety of conditions. It also contains the general characteristics and accuracy calculations for your convenience. A lot of efforts are made to make sure these specifications serve your needs for production, engineering and/or research purposes. All specification applies to 12061 unless noted otherwise.

A. Specification List

DC Characteristics				
Accuracy \pm (% of reading + % of range) ¹				
Function	Range ²	Resolution	Input Resistance	1 Year (23°C \pm 5°C)
DC Voltage ³	100.0000 mV	0.1 μ V	> 10G Ω	0.0050 + 0.0035
	1.000000 V	1.0 μ V	> 10G Ω	0.0040 + 0.0007
	10.00000 V	10 μ V	> 10G Ω	0.0035 + 0.0005
	100.0000 V	100 μ V	10M Ω	0.0045 + 0.0006
	1000.000 V	1 μ V	10M Ω	0.0045 + 0.0010

1 Specifications are for 6 ½ digits and two hours warm up.

2 20% over range on all ranges except 1000Vdc and 3 A range.

**3 a. Using continuous integrating A/D converter.
b. Input bias current: less than 30 pA at 25° C.
c. Input protection: 1000 V, all range.**

Function	Range	Resolution	Shunt Resistance	1 Year (23°C ± 5°C)
DCI (DC Current)	10.000000mA	10 nA	5.1Ω	0.050 + 0.020
	100.00000mA	100 nA	5.1Ω	0.050 + 0.005
	1.000000A	1 uA	0.1Ω	0.100 + 0.010
	3.00000A	10 uA	0.1Ω	0.120 + 0.020

Function	Range	Resolution	Test Current	1 Year (23°C ± 5°C)
Resistance ⁴	100.0000 Ω	100 uΩ	1 mA	0.010 + 0.004
	1.000000 KΩ	1 mΩ	1 mA	0.010 + 0.001
	10.00000 KΩ	10 mΩ	100 uA	0.010 + 0.001
	100.0000 KΩ	100 mΩ	10 uA	0.010 + 0.001
	1.000000 MΩ	1 Ω	5 uA	0.010 + 0.001
	10.00000 MΩ	10 Ω	500 nA	0.040 + 0.001
	100.0000 MΩ	100 Ω	500 nA 10 MΩ	0.800 + 0.010
Diode Test	1.0000V	10 uV	1mA	0.010 + 0.020
Continuity	1000.00KΩ	10 mΩ	1mA	0.010 + 0.030

-
- 4 a. Specifications are for 4-wire ohms. For 2-wire ohms, use Math Null function**
b. Max. Lead Resistance: 10% of range per lead for 100Ω and 1KΩ ranges; 1kΩ per lead for all other ranges.
c. Input protection: 1000 V, all ranges.

Frequency and Period Characteristics ⁵ Accuracy \pm (% of reading)			
Function	Range ⁶	Frequency (Hz)	1 Year 23° C \pm 5° C
Frequency & Period	100mV to 750V	3-5	0.10
		5-10	0.05
		10-40	0.03
		40-300K	0.01

AC Characteristics Accuracy \pm (% of reading + % of range) ⁷				
Function	Range ⁸	Resolution	Frequency (Hz)	1 Year (23°C \pm 5°C)
ACV (AC TRMS Voltage) ⁹	100.0000mV	0.1 μ V	3-5	1.00 + 0.04
			5-10	0.35 + 0.04

5 Specifications are for 6 ½ digits and two hours warm up.

6 20% over range on all ranges except 750 Vac range.

7 Specifications are for 6 ½ digits and two hours warm up, slow AC filter (3 Hz Bandwidth), sine wave input.

8 a. 20% over range on all ranges except 750 Vac range.

b. Maximum bias is 400Vdc on any ACV measure range.

9 Specifications are for sine wave input >5% of range. When the inputs are from 1% to 5% of range and <50 KHz, add the additional error for 0.1% of range. For 50 KHz to 100 KHz, add 0.13% of range.

			10-20K	0.06 + 0.04
			20-50K	0.12 + 0.05
			50K - 100K	0.60 + 0.08
			100K - 300K	4.00 + 0.50
	1.000000V To 750.000V	1.0 uV To 1mV	3-5	1.00 + 0.03
			5-10	0.35 + 0.03
			10-20K	0.06 + 0.03
			20-50K	0.12 + 0.05
			50K - 100K ¹⁰	0.60 + 0.08
			100K - 300K	4.00 + 0.50
ACI (AC TRMS Current)	1.000000A	1 uV	3-5	1.00 + 0.04
			5-10	0.30 + 0.04
			10-5K	0.10 + 0.04
	3.000000A	10 uV	3-5	1.10 + 0.06
			5-10	0.35 + 0.06
			10-5K	0.15 + 0.06

10 750Vac range is limited to 100 KHz.

B. General Specifications

item	Limitation & description
Power Supply	100V/120V/220V/240V ± 10%
Power Line Frequency	50~60 Hz ± 10%
Power Consumption	25 VA peak (16 W average)
Operating Temperature	0 °C to 50 °C
Operating Humidity	Maximum relative humidity 80% for temperature up to 31 °C decreasing linearly to 50% relative humidity at 40°C
Storage Temperature	- 40 °C to 70 °C
Operating Altitude	Up to 2000m
Dimensions for Rack (WxHxD)	213.6x88.6x346.9 mm
Weight	3706 g
Safety ¹¹	IEC61010-1:2001/EN61010-1:2001 (2 nd Edition) Over-Voltage Category CAT II, CAT I 1000V
	UL61010-1:2004 Installation CAT II, Measurement CAT III at max. 1000V
	Pollution Degree 2
EMC	EN61326-1:2006 EN61326-2-1:2006 EMI: CISPR 11:1997+A1:1999+A2:2002 Class B IEC61000-3-2:2000 IEC61000-3-3:1994+A1:2001 EMS: IEC61000-4-2:1995+A1:1998+A2:2000 IEC61000-4-3:2002 IEC61000-4-4:2004 IEC61000-4-5:1995+A1:2000 IEC61000-4-6:1996+A1:2000 IEC61000-4-8:1993+A1:2000 IEC61000-4-11:1994+A1:2000

¹¹ The LO jack is marked with 500Vpk against ground and SENSE HI to LO is only marked with 200Vpk, in opposition to the label of 600V CAT II and/or 1000V CAT I against ground and IEC 61010-1.

C. Remote Interface Reference

C.1 An Introduction to the SCPI Language

SCPI (*Standard Commands for Programmable Instruments*) is an ASCII-based instrument command language designed for test and measurement instruments. Refer to “Simplified Programming Overview,” for an introduction to the basic techniques used to program the multimeter over the remote interface.

SCPI commands are based on a hierarchical structure, also known as a *tree system*. In this system, associated commands are grouped together under a common node or root, thus forming *subsystems*. A portion of the SENSE subsystem is shown below to illustrate the tree system.

[SENSe:]

VOLTage:

DC:RANGe {<range>|MINimum|MAXimum}

VOLTage:

DC:RANGe? [MINimum|MAXimum]

FREQuency:

VOLTage:RANGe {<range>|MINimum|MAXimum}

FREQuency:

VOLTage:RANGe? [MINimum|MAXimum]

DETEctor:

BANDwidth {3|20|200|MINimum|MAXimum}

DETEctor:

BANDwidth? [MINimum|MAXimum]

ZERO:

AUTO {OFF|ONCE|ON}

ZERO:

AUTO?

SENSe is the root keyword of the command, VOLTage and FREQuency are second-level keywords, and DC and VOLTage are third-level

keywords. A *colon* (:) separates a command keyword from a lower-level keyword.

Command Format Used in This Manual

The format used to show commands in this manual is shown below:

VOLTage:DC:RANGe {<range>|MINimum|MAXimum}

The command syntax shows most commands (and some parameters) as a mixture of upper- and lower-case letters. The upper-case letters indicate the abbreviated spelling for the command. For shorter program lines, send the abbreviated form. For better program readability, send the long form. For example, in the above syntax statement, VOLT and VOLTAGE are both acceptable forms. You can use upper- or lower-case letters. Therefore, VOLTAGE, volt, and Volt are all acceptable. Other forms, such as VOL and VOLTAG, will generate an error. *Braces* ({ }) enclose the parameter choices for a given command string. The braces are not sent with the command string. A *vertical bar* (|) separates multiple parameter choices for a given command string. *Triangle brackets* (< >) indicate that you must specify a value for the enclosed parameter. For example, the above syntax statement shows the *range* parameter enclosed in triangle brackets. The brackets are not sent with the command string. You must specify a value for the parameter (such as "VOLT:DC:RANG 10"). Some parameters are enclosed in *square brackets* ([]). The brackets indicate that the parameter is optional and can be omitted. The brackets are not sent with the command string. If you do not specify a value for an optional parameter, the multimeter chooses a default value.

Using the *MIN* and *MAX* Parameters

You can substitute MINimum or MAXimum in place of a parameter for many commands. For example, consider the following command:

VOLTage:DC:RANGe {<range>|MINimum|MAXimum}

Instead of selecting a specific voltage range, you can substitute MIN to set the range to its minimum value or MAX to set the range to its maximum value.

Querying Parameter Settings

You can query the current value of most parameters by adding a question mark (?) to the command. For example, the following command sets the sample count to 10 readings:

"SAMP:COUN 10"

You can query the sample count by executing:

"SAMP:COUN?"

You can also query the minimum or maximum count allowed as follows:

"SAMP:COUN? MIN"

"SAMP:COUN? MAX"

※ Note: If you send two query commands without reading the response from the first, and then attempt to read the second response, you may receive some data from the first response followed by the complete second response. To avoid this, do not send a query command without reading the response. When you cannot avoid this situation, send a device clear before sending the second query command.

SCPI Command Terminators

A command string sent to the multimeter must terminate with a <new line> character. The IEEE-488 EOI (end-or-identify) message is interpreted as a <new line> character and can be used to terminate a command string in place of a <new line> character. A <carriage return> followed by a <new line> is also accepted. Command string termination will always reset the current SCPI command path to the root level.

IEEE-488.2 Common Commands

The IEEE-488.2 standard defines a set of common commands that perform functions like reset, self-test, and status operations. Common commands always begin with an asterisk (*), are four to five characters in length, and may include one or more parameters. The command keyword is separated from the first parameter by a blank space.

Use a semicolon (;) to separate multiple commands as shown below:

```
"*RST; *CLS; *ESE 32; *OPC?"
```

SCPI Parameter Types

The SCPI language defines several different data formats to be used in program messages and response messages.

Numeric Parameters Commands that require numeric parameters will accept all commonly used decimal representations of numbers including optional signs, decimal points, and scientific notation.

Special values for numeric parameters like MINimum, MAXimum, and DEFault are also accepted. You can also send engineering unit suffixes with numeric parameters (e.g., M, K, or u). If only specific numeric values are accepted, the multimeter will automatically round the input numeric parameters. The following command uses a numeric parameter:

```
VOLTage:DC:RANGe {<range>|MINimum|MAXimum}
```

Discrete Parameters Discrete parameters are used to program settings that have a limited number of values (like BUS, IMMEDIATE, EXTERNAL). They have a short form and a long form just like command keywords. You can mix upper- and lower-case letters. Query responses will always return the short form in all upper-case letters. The following command uses discrete parameters:

```
TRIGger:SOURce {BUS|IMMEDIATE|EXTERNAL}
```

Boolean Parameters Boolean parameters represent a single binary condition that is either true or false. For a false condition, the multimeter will accept "OFF" or "0". For a true condition, the multimeter will accept

"ON" or "1". When you query a boolean setting, the instrument will always return "0" or "1". The following command uses a boolean parameter:

INPut:IMPedance:AUTO {OFF|ON}

String Parameters String parameters can contain virtually any set of ASCII characters. A string must begin and end with matching quotes; either with a single quote or with a double quote. You can include the quote delimiter as part of the string by typing it twice without any characters in between. The following command uses a string parameter:

DISPlay:TEXT <quoted string>

C.2 Output Data Formats

Output data will be in one of formats shown in the table below.

Type of Output Data

Non-reading queries

Single reading (IEEE-488)

Multiple readings (IEEE-488)

Single reading (RS-232)

Multiple readings (RS-232)

Output Data Format

< 80 ASCII character string

SD.DDDDDDDDESDD<nl>

SD.DDDDDDDDESDD,...,<nl>

SD.DDDDDDDDESDD<cr><nl>

SD.DDDDDDDDESDD,...,<cr><nl>

S Negative sign or positive sign

D Numeric digits

E Exponent

<nl> newline character

<cr> carriage return character

C.3 The MEASure? Command

MEASure:VOLTage:DC? {<range>|MIN|MAX|DEF},{<resolution>|MIN|MAX|DEF}

Preset and make a dc voltage measurement with the specified range and resolution. The reading is sent to the output buffer.

MEASure:VOLTage:DC:RATio? {<range>|MIN|MAX|DEF},{<resolution>|MIN|MAX|DEF}

Preset and make a dc:dc ratio measurement with the specified range and resolution. The reading is sent to the output buffer. For ratio measurements, the specified range applies to input signal, yet autorange is selected for the reference signal.

MEASure:VOLTage:AC? {<range>|MIN|MAX|DEF},{<resolution>|MIN|MAX|DEF}

Preset and make an AC voltage measurement with the specified range and resolution. The reading is sent to the output buffer. For ACV measurements, the default is 5 ½ digits. Therefore the resolution parameter only affects the front panel display.

MEASure:CURRent:DC? {<range>|MIN|MAX|DEF},{<resolution>|MIN|MAX|DEF}

Preset and make a dc current measurement with the specified range and resolution. The reading is sent to the output buffer.

MEASure:CURRent:AC? {<range>|MIN|MAX|DEF},{<resolution>|MIN|MAX|DEF}

Preset and make a AC current measurement with the specified range and resolution. The reading is sent to the output buffer. For ACI measurements, the default is 5 ½ digits. Therefore the resolution parameter only affects the front panel display.

MEASure:RESistance? {<range>|MIN|MAX|DEF},{<resolution>|MIN|MAX|DEF}

Preset and make a 2-wire Ω measurement with the specified range and resolution. The reading is sent to the output buffer.

MEASure:FRESistance? {<range>|MIN|MAX|DEF},{<resolution>|MIN|MAX|DEF}

Preset and make a 4-wire Ω measurement with the specified range and resolution. The reading is sent to the output buffer.

MEASure:FREQuency? {<range>|MIN|MAX|DEF},{<resolution>|MIN|MAX|DEF}

Preset and make a frequency measurement with the specified range and

resolution. The reading is sent to the output buffer. For frequency measurements, the meter uses only one "range" for all inputs between 3Hz and 300kHz. With no input signal applied, frequency measurements return "0".

MEASure:PERiod? {<range>|MIN|MAX|DEF},{<resolution>|MIN|MAX|DEF}

Preset and make a period measurement with the specified range and resolution. The reading is sent to the output buffer. For period measurements, the meter uses only one "range" for all inputs between 0.33 seconds and 3.3 μ sec. With no input signal applied, period measurements return "0".

MEASure:CONTinuity?

Preset and make a continuity measurement. The reading is sent to the output buffer. The range and resolution are fixed at 1k Ω and 5 1/2 digits respectively.

MEASure:DIODE?

Preset and make a diode measurement. The reading is sent to the output buffer. The range and resolution are fixed at 1Vdc with 1mA current source and 5 1/2 digits respectively.

MEASure:TEMPerature?

Preset and make a temperature measurement with RTD. The reading is sent to the output buffer.

MEASure:TCouple?

Preset and make a temperature measurement with thermocouple. The reading is sent to the output buffer.

C.4 The CONFigure Command

CONFigure:VOLTage:DC {<range>|MIN|MAX|DEF},{<resolution>|MIN|MAX|DEF}

Preset and configure the multimeter for DC voltage measurements with the specified range and resolution. This command does not initiate the measurement.

CONFigure:VOLTage:DC:RATio {<range>|MIN|MAX|DEF},{<resolution>|MIN|MAX|DEF}

Preset and configure the multimeter for DC:DC ratio measurements with the specified range and resolution. This command does not initiate the

measurement. The specified range applies to the source signal and autorange is selected for the reference signal.

CONFigure:VOLTage:AC {<range>|MIN|MAX|DEF},{<resolution>|MIN|MAX|DEF}

Preset and configure the multimeter for AC voltage measurements with the specified range and resolution. This command does not initiate the measurement. For ACV measurements, the default is 5 ½ digits. Therefore the resolution parameter only affects the front panel display.

CONFigure:CURRent:DC {<range>|MIN|MAX|DEF},{<resolution>|MIN|MAX|DEF}

Preset and configure the multimeter for DC current measurements with the specified range and resolution. This command does not initiate the measurement.

CONFigure:CURRent:AC {<range>|MIN|MAX|DEF},{<resolution>|MIN|MAX|DEF}

Preset and configure the multimeter for AC current measurements with the specified range and resolution. This command does not initiate the measurement. For ACI measurements, the default is 5 ½ digits. Therefore the resolution parameter only affects the front panel display.

CONFigure:RESistance {<range>|MIN|MAX|DEF},{<resolution>|MIN|MAX|DEF}

Preset and configure the multimeter for 2-wire Ω measurements with the specified range and resolution. This command does not initiate the measurement.

CONFigure:FRESistance {<range>|MIN|MAX|DEF},{<resolution>|MIN|MAX|DEF}

Preset and configure the multimeter for 4-wire Ω measurements with the specified range and resolution. This command does not initiate the measurement.

CONFigure:FREQuency {<range>|MIN|MAX|DEF},{<resolution>|MIN|MAX|DEF}

Preset and configure the multimeter for frequency measurements with the specified range and resolution. This command does not initiate the measurement. For frequency measurements, the meter uses only one "range" for all inputs between 3Hz and 300kHz. With no input signal applied, frequency measurements return "0".

CONFigure:PERiod {<range>|MIN|MAX|DEF},{<resolution>|MIN|MAX|DEF}

Preset and configure a period measurement with the specified range and resolution. This command does not initiate the measurement. For period measurements, the meter uses only one "range" for all inputs between 0.33 seconds and 3.3 μ sec. With no input signal applied, period measurements return "0".

CONFigure:CONTinuity

Preset and configure for a continuity measurement. This command does not initiate the measurement. The range and resolution are fixed at 1k Ω and 5½ digits respectively.

CONFigure:DIODE

Preset and configure for a diode measurement. This command does not initiate the measurement. The range and resolution are fixed at 1Vdc with 1mA current source and 5½ digits respectively.

CONFigure:TEMPerature

Preset and configure for a RTD measurement. This command does not initiate the measurement. The resolution is fixed at 6½ digits.

CONFigure:TCouple

Preset and configure for a thermocouple measurement. This command does not initiate the measurement. The resolution is fixed at 6½ digits.

CONFigure?

Query a recent condition of function, and return a quoted string.

C.5 The Measurement Configuration Command

[SENSe:]FUNctIon "<function>"

Select a measurement function and enclose it in quotes in the command string (FUNC "VOLT:DC"). Use one of the following strings.

<i>VOLTage:DC</i>	<i>VOLTage:AC</i>	<i>VOLTage:DC:RATio</i>
<i>CURRent:DC</i>	<i>CURRent:AC</i>	
<i>RESistance</i> (for 2-wire ohms)	<i>FRESistance</i> (for 4-wire ohms)	
<i>FREQuency</i>	<i>PERiod</i>	<i>CONTinuity</i>
<i>DIODE</i>	<i>TCouple</i>	<i>TEMPerature</i>

[SENSe:]FUNction?

Query the measurement function and return a quoted string.

[SENSe:]<function>:RANGe {<range>|MINimum|MAXimum}

Select a range for the selected function. For frequency and period measurements, range applies to the signal's input voltage, not its frequency (use FREQuency:VOLTage or PERiod:VOLTage). MIN selects the lowest range for the selected function. MAX selects the highest range.

[SENSe:]<function>:RANGe? [MINimum|MAXimum]

Query the range for the selected function. For frequency and period, use FREQuency:VOLTage or PERiod:VOLTage. Autorange thresholds: Down range at <10% of range; Up range at >120% of range.

[SENSe:]<function>:RANGe:AUTO {OFF|ON}

Disable or enable autorange for the selected function.

[SENSe:]<function>:RANGe:AUTO?

Query the autorange setting. Return "1" (ON) or "0" (OFF).

[SENSe:]<function>:RESolution {<resolution>|MINimum|MAXimum}

Set resolution for the selected function (not valid for frequency, period, or ratio). Specify the resolution in the same units as the measurement function, not in number of digits. MIN selects the smallest value accepted, which gives the most resolution. MAX selects the largest value accepted which gives the least resolution.

[SENSe:]<function>:RESolution? [MINimum|MAXimum]

Query the resolution for the selected function.

[SENSe:]UNIT {Cel|Far|K}

Select units for temperature measurement. Cel means Celsius, Far means Fahrenheit, and K means Kelvin.

[SENSe:]UNIT?

Query units for temperature measurement.

[SENSe:]TCouple:TYPE {E|J|K|N|R|S|T}

Select thermocouple sensor type.

[SENSe:]TCouple:TYPE?

Query thermocouple sensor type.

[SENSe:]TCouple:RJUNction:RSElect {REAL|SIMulated }

Select a reference junction type, real or simulated.

[SENSe:]TCouple:RJUNction:RSElect?

Query the reference junction type, real or simulated.

[SENSe:]TCouple:RJUNction:SIMulated {<value>|MINimum|MAXimum}

Set the default temperature of the simulated reference junction.

[SENSe:]TCouple:RJUNction:SIMulated?

Query the default temperature of the simulated reference junction.

[SENSe:]TCouple:RJUNction:REAL:OFFSet {<value>|MINimum|MAXimum}

Set the offset voltage of the real reference junction.

[SENSe:]TCouple:RJUNction:REAL:OFFSet? [MINimum|MAXimum]

Query the offset voltage of the real reference junction.

[SENSe:]TEMPerature:RTD:TYPE {PT100|D100|F100|PT385|PT3916|USER|SPRTD|NTCT}

Select the RTD type for temperature measurement with RTD.

[SENSe:]TEMPerature:RTD:TYPE?

Query the RTD type for temperature measurement with RTD.

[SENSe:]TEMPerature:RTD:RZERo {<value>|MINimum|MAXimum}

Set the R-Zero constant for the user defined RTD type.

[SENSe:]TEMPerature:RTD:RZERo? [MINimum|MAXimum]

Query the R-Zero constant for the user defined RTD type.

[SENSe:]TEMPerature:RTD:ALPHa {<value>|MINimum|MAXimum}

Set the alpha constant for the user type.

[SENSe:]TEMPerature:RTD:ALPHA? [MINimum|MAXimum]

Query the alpha constant for the user type.

[SENSe:]TEMPerature:RTD:BETA {<value> |MINimum|MAXimum}

Set the beta constant for the user type.

[SENSe:]TEMPerature:RTD:BETA? [MINimum|MAXimum]

Query the beta constant for the user type.

[SENSe:]TEMPerature:RTD:DELTA {<value> |MINimum|MAXimum}

Set the delta constant for the user type.

[SENSe:]TEMPerature:RTD:DELTA? [MINimum|MAXimum]

Query the delta constant for the user type.

[SENSe:]TEMPerature:SPRTD:RZERO {<value> |MINimum|MAXimum}

Set the sensor R value at 0 degree Celsius.

[SENSe:]TEMPerature:SPRTD:RZERO? [MINimum|MAXimum]

Query the sensor R value at 0 degree Celsius.

[SENSe:]TEMPerature:SPRTD:A4 {<value> |MINimum|MAXimum}

Set the A4 coefficient.

[SENSe:]TEMPerature:SPRTD:A4? [MINimum|MAXimum]

Query the A4 coefficient.

[SENSe:]TEMPerature:SPRTD:B4 {<value> |MINimum|MAXimum}

Set the B4 coefficient.

[SENSe:]TEMPerature:SPRTD:B4? [MINimum|MAXimum]

Query the B4 coefficient.

[SENSe:]TEMPerature:SPRTD:AX {<value> |MINimum|MAXimum}

Set the A coefficient.

[SENSe:]TEMPerature:SPRTD:AX? [MINimum|MAXimum]

Query the A coefficient.

[SENSe:]TEMPerature:SPRTD:BX {<value>|MINimum|MAXimum}

Set the B coefficient.

[SENSe:]TEMPerature:SPRTD:BX? [MINimum|MAXimum]

Query the B coefficient.

[SENSe:]TEMPerature:SPRTD:CX {<value>|MINimum|MAXimum}

Set the C coefficient.

[SENSe:]TEMPerature:SPRTD:CX? [MINimum|MAXimum]

Query the C coefficient.

[SENSe:]TEMPerature:SPRTD:DX {<value>|MINimum|MAXimum}

Set the D coefficient.

[SENSe:]TEMPerature:SPRTD:DX? [MINimum|MAXimum]

Query the D coefficient.

[SENSe:]TEMPerature:TRANsdruceR FRTD

Set the RTD Measurement to 4-Wire.

[SENSe:]TEMPerature:TRANsdruceR RTD

Set the RTD Measurement to 2-Wire.

[SENSe:]<function>:NPLCycles {0.02|0.1|1|10|MINimum|MAXimum}

Set the integration time in number of power line cycles for the selected function.

This command is valid only for DCV, DCI, 2-wire ohms and 4-wire ohms.

[SENSe:]<function>:NPLCycles? [MINimum|MAXimum]

Query the integration time for the selected function.

[SENSe:]FREQUency:APERture {0.01|0.1|1|MINimum|MAXimum}

Set the gate time (or aperture time) for frequency function. Specify 10 ms (4.5 digits), 100 ms (default; 5.5 digits), or 1 second (6.5 digits).

[SENSe:]FREQuency:APERture? [MINimum|MAXimum]

Query the gate time (or aperture time) for frequency function.

[SENSe:]PERiod:APERture{0.01|0.1|1|MINimum|MAXimum}

Set the gate time (or aperture time) for period function. Specify 10 ms (4.5 digits), 100 ms (default; 5.5 digits), or 1 second (6.5 digits).

[SENSe:]PERiod:APERture? [MINimum|MAXimum]

Query the gate time (or aperture time) for period function.

[SENSe:]DETector:BANDwidth {3|20|200|MINimum|MAXimum}

Specify the lowest frequency expected in the input signal. The meter selects the slow, medium or fast ac filter based on the frequency you specify.

[SENSe:]DETector:BANDwidth? [MINimum|MAXimum]

Query the ac filter and return the bandwidth.

[SENSe:]ZERO:AUTO {OFF|ONCE|ON}

Disable or enable the auto zero mode. The OFF and ONCE have a similar effect. OFF mode does not issue a new offset measurement until the multimeter goes to the "WAIT-FOR-TRIGGER" state. Parameter ONCE issues an immediate offset measurement.

[SENSe:]ZERO:AUTO?

Query the auto zero mode. Returns "1" (ON) or "0" (OFF or ONCE).

INPut:IMPedance:AUTO{OFF|ON}

Disable or enable the automatic input resistance mode for DC voltage measurements. With AUTO ON, the input resistance is set to >10GΩ for the 100mV, 1V and 10V ranges. With AUTO OFF, the input resistance is fixed at 10MΩ for all ranges.

INPut:IMPedance:AUTO?

Query the input resistance mode. Returns "1"(ON) or "0"(OFF).

ROUTE:TERMinals?

Query the multimeter to determine if the front or rear input terminals are selected. Returns "FRON" or "REAR"

ROUTe:CLOSE <channel>

Set channels which need to be closed. <The range is from channel 1 to 10>

ROUTe:CLOSE?

Query channels which were closed.

ROUTe:OPEN

Open all channels.

ROUTe:STATE?

Read the state after scanning. The state display is **1** (means the scanner card was inserted.), or **0** (means it hasn't been inserted yet.)

ROUTe:SCAN:FUNCTION

**<channel>,{<function>|"VOLT:DC"|"VOLT:AC"|
"FREQuency"|"RESistance"|"FRESistance"|"NONE"}**

Set scanner card's measurement functions which might be for the VAC, VDC, Frequency, 2-Wire Resistance, 4-Wire Resistance or disabling the channel.

ROUTe:SCAN:FUNC? <channel>

Query the channel's function on the scanner card.

ROUTe:SCAN:TIMER?

Read the time interval of scanning.

ROUTe:SCAN:TIMER <value>

Set the time interval of scanning <The unit is second>.

ROUTe:SCAN:COUNT?

Read the number of times of scanning.

ROUTe:SCAN:COUNT <value>

Set the number of times of scanning.

ROUTe:SCAN:STATE?

Read the state of scanning. **1** means "finished". **0** means "not finished".

ROUTE:SCAN:SCAN

Run SCAN mode

ROUTE:SCAN:STEP

Run STEP mode

C.6 The Math Operation Command

CALCulate:FUNCTION {PERCent|AVERage|NULL|LIMit|MXB|DB|DBM}

Select the math function. Only one function can be enabled at a time. The default function is percent.

CALCulate:FUNCTION?

Query the present math function. Returns PERC, AVER, NULL, LIM, MXB, DB or DBM.

CALCulate:STATe {OFF|ON}

Disable or enable the selected math function.

CALCulate:STATe?

Query the state of the math function. Returns "0"(OFF) or "1"(ON).

CALCulate:PERCent:TARGet {<value>|MINimum|MAXimum}

Set the target value for percent math function. The multimeter clears the value when Min/Max is turned on, when the power has been off or a remote interface reset.

CALCulate:PERCent:TARGet? [MINimum|MAXimum]

Query the target value for percent math function.

CALCulate:AVERage:MINimum?

Read the minimum value found during the Min/Max operation. The multimeter clears the value when Min/Max is turned on, when the power has been off or a remote interface reset.

CALCulate:AVERage:MAXimum?

Read the maximum value found during the Min/Max operation. The multimeter clears the value when Min/Max is turned on, when the power has been off or a remote interface reset.

CALCulate:AVERage:AVERage?

Read the average value of all readings taken since the Min/Max operation has been enabled. The multimeter clears the value when Min/Max is turned on, when the power has been off or a remote interface reset.

CALCulate:AVERage:COUNT?

Read the number of readings taken since Min/Max has been enabled. The multimeter clears the value when Min/Max is turned on, when the power has been off or a remote interface reset.

CALCulate:NULL:OFFSet {<value>|MINimum|MAXimum}

Store a null value in the multimeter's Null Register. *You must turn on the math operation before writing to the math register.* You can set the null value to any number between 0 and $\pm 120\%$ of the highest range.

CALCulate:NULL:OFFSet?

Query the null value.

CALCulate:LIMit:LOWer {<value>|MINimum|MAXimum}

Set the lower limit for limit testing. You can set the value to any number from 0 to $\pm 120\%$ of the highest range, for the present function.

CALCulate:LIMit:LOWer?

Query the lower limit for the limit testing.

CALCulate:LIMit:UPPer {<value>|MINimum|MAXimum}

Set the upper limit for limit testing. You can set the value to any number from 0 to $\pm 120\%$ of the highest range, for the present function.

CALCulate:LIMit:UPPer?

Query the upper limit for the limit testing.

CALCulate:MXB:MMFactor {<value>|MINimum|MAXimum}

Set the value of M.

CALCulate:MXB:MMFactor? [MINimum|MAXimum]

Query the value of M.

CALCulate:MXB:MBFactor {<value>|MINimum|MAXimum}

Set the value of B.

CALCulate:MXB:MBFactor? [MINimum|MAXimum]

Query the value of B.

CALCulate:DB:REference {<value>|MINimum|MAXimum}

Store a relative value in the dB Relative Register. *You must turn on the math operation before writing to the math register.* You can set the relative value to any number between 0 dBm and ± 200 dBm.

CALCulate:DB:REference? [MINimum|MAXimum]

Query the dB relative value.

CALCulate:DBM:REference {<value>|MINimum|MAXimum}

Set the dBm reference value. Choose from: 50 ~ 8000 ohms.

CALCulate:DBM:REference? [MINimum|MAXimum]

Query the dBm reference value.

DATA:FEED RDG_STORE,{“CALCulate”|””}

Selects whether readings taken using the INITiate command are stored in the multimeter’s internal memory (default) or not stored at all. In the default state (DATA:FEED RDG_STORE,“CALC”), up to 2000 readings are stored in memory when INITiate is executed. The MEASure? And CONFigure commands automatically select “CALC”. With memory disabled (DATA:FEED RDG_STORE,“”), readings taken using INITiate are not stored. This may be useful with the Min/Max operation since it allows you to determine an average of the readings without storing the individual values. An error will be generated if you attempt to transfer readings to the output buffer using the FETCh? command.

DATA:FEED?

Query the reading memory state. Return "CALC" or "".

C.7 The Triggering Commands

INITiate

Change the state of the triggering system from the "idle" state to "wait-for-trigger" state. The meter will start to make measurements when a required triggering condition is met after the INITiate command is received. Readings are stored in memory until you are ready to read them. Use FETCh? command to retrieve your measurements results.

READ?

Change the state of the triggering system from the "idle" state to "wait-for-trigger" state. The meter will start to make measurements when a required triggering condition is met after the READ? Command is received. Readings are sent to the output buffer right away.

TRIGger:SOURce {BUS|IMMediate|EXTernal}

Select a trigger source. The multimeter will accept a software (BUS) trigger, an immediate internal trigger, or a hardware trigger from the rear-panel EXT TRIG terminal.

TRIGger:SOURce?

Query the trigger source.

TRIGger:DElay {<seconds>|MINimum|MAXimum}

Set a trigger delay time in seconds. The delay is the time between the trigger signal and each sample that follows. Specify a delay time from 0 to 3600 seconds.

TRIGger:DElay?

Query the trigger delay time.

TRIGger:DElay:AUTO {OFF|ON}

Disable or enable a automatic trigger delay. The delay is determined by function,

range, integration time, and ac filter setting. Specifying a delay time automatically turns off the automatic trigger delay.

TRIGger:DElay:AUTO?

Query the automatic trigger delay mode. Returns "0" (OFF) or "1" (ON).

SAMple:COUNT {<value>|MINimum|MAXimum}

Set the number of readings (samples) the multimeter takes per trigger. Select a number from 1 to 50,000 readings per trigger.

SAMple:COUNT ? [MINimum|MAXimum]

Query the sample count.

TRIGger:COUNT {<value>|MINimum|MAXimum|INFinite}

Specify the number of triggers the multimeter will accept before returning to the "idle" state. Select from 1 to 50,000 triggers. The INFinite parameter instructs the multimeter to take triggers continuously. Trigger count is ignored while in local operation.

TRIGger:COUNT? [MINimum|MAXimum|INFinite]

Query the trigger count. Returns "9.90000000E+37" when you select the infinite trigger count.

C.8 The System-Related Commands

FETCh?

Transfer readings stored in memory by the INITiate command to output buffer where you are able to read them into your bus controller.

READ?

Change the state of the triggering system from the "idle" state to "wait-for-trigger" state. The meter will start to make measurements when a required triggering condition is met after the READ? command is received. Measurement readings are sent to the output buffer immediately.

DISPlay {OFF|ON}

Turn off or on the display.

DISPlay?

Query the display setting. Returns "0" (OFF) or "1" (ON).

DISPlay:TEXT <quoted string>

Show a message on the front panel display. The allowed message can be up to 16 characters in the lower row display; any additional characters will be truncated.

DISPlay:TEXT?

Query the message sent to the front panel display.

DISPlay:TEXT:CLEAr

Clear the message shown on the front panel display.

SYSTem:BEEPer

Issue a single beeping tone.

SYSTem:BEEPer:STATe {OFF|ON}

Disable or enable the beeper.

SYSTem:BEEPer:STATe?

Query the beeper mode. Returns "0" (OFF) or "1" (ON).

SYSTem:ERRor?

Query the multimeter's error queue. Up to 20 errors can be stored in the queue. Errors are retrieved in first-in-first-out (FIFO) order. Each error string may contain up to 80 characters.

SYSTem:VERSion?

Query the present SCPI version.

L0

Set to the default identification string.

L1

Set to the compatible identification string.

SYSTEM:IDNSTR "Manufacturer,Product"

Change the multimeter's identification string, such as the maker's and the product's names (be sure to dimension a string variable with at most 39 characters).

DATA:POINts?

Query the number of readings stored in the multimeter's internal memory.

***RST**

Reset the multimeter to the power-on configuration. This command can not clear the error queue.

***IDN?**

Read the multimeter's identification string (be sure to dimension a string variable with at least 35 characters).

Other Interface Commands

SYSTem:LOCal

Place the multimeter in the *local* mode. All buttons on the front panel are fully functional.

SYSTem:REMOte

Place the multimeter in the *remote* mode. All buttons on the front panel, except the LOCAL button, are disabled.

C.9 The SCPI Status Pattern

Status registers are provided in the same way by all SCPI equipment. And there are three register groups with various equipment conditions recorded by the status system. They are *the Status Byte Register*, *the Standard Event Register* and *the Questionable Data Register*.

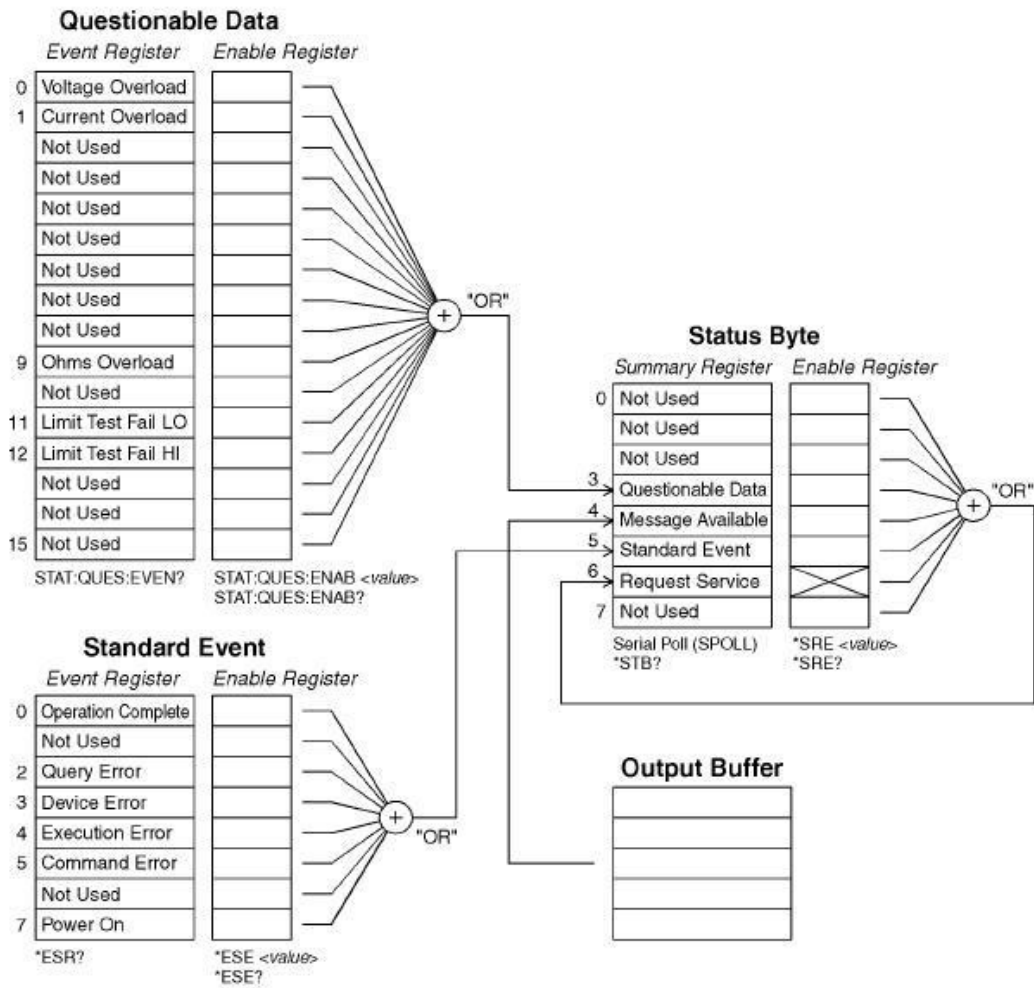
The *Status Byte Register* collects and records high-level summary information which is reported in other register groups. With the following diagram illustration, you would make themselves clear for the SCPI status system. In addition, *the Standard Event* and *the Questionable Data Registers* have event registers which belong to read-only registers and report defined conditions in a multimeter. Bits are latched in the event registers. As long as an event bit is set,

subsequent state changes will be ignored. Besides, bits in an event register are cleared automatically by the commands, for example: *ESR?, STAT:QUES:EVEN? or *CLS. Please note that the reset command (*RST) or device clear in event registers won't clear bits. To query an event register will return a decimal value corresponding to binary-weighted sum of all bits set in the register.

An enable register is readable and writable, and can define which bits in the corresponding event register are ORed together to generate a single summary bit. To query an enable register won't clear it, as well the command *CLS, but it can clear the bits in the event registers. And the command STATus:PRESet will clear the questionable data enable register. Moreover, to enable bits in an enable register, you have to write a decimal value corresponding to the binary-weighted sum of the bits in the register by their demands.

Binary Weights

$2^0 = 1$	$2^8 = 256$
$2^1 = 2$	$2^9 = 512$
$2^2 = 4$	$2^{10} = 1024$
$2^3 = 8$	$2^{11} = 2048$
$2^4 = 16$	$2^{12} = 4096$
$2^5 = 32$	$2^{13} = 8192$
$2^6 = 64$	$2^{14} = 16384$
$2^7 = 128$	$2^{15} = 32768$



About the Status Byte

The conditions from other status registers will be reported by the status byte summary register. The query data, waiting in the multimeter's output buffer, is reported immediately through the "message available" in bit 4. Besides, bits are not latched in the summary registers. In addition, to clear an event register will clear the according bits in the status byte summary register. And to read all messages in the output buffer, including all pending queries, will clear the message available bit. The following list shows the definition of each bit.

Bit	Decimal Value	Definition
0. Not Used	1	Set to 0.
1. Not Used	2	Set to 0.
2. Not Used	4	Set to 0.

3. Questionable Data	8	One or more bits are set in the questionable data register (Bits have to be "enabled" in enable register).
4. Message Available	16	Data in the DMM's output buffer is available.
5. Standard Event	32	One or more bits are set in the Standard Event Register (Bits have to be "enabled" in enable register).
6. Request Service	64	The DMM is requiring service (Serial Poll).
7. Not Used	128	Set to 0.

On the other hand, there are some conditions that you have to note.

The following conditions will clear the summary register.

- You execute a *CLS (clear status) command.
- To query the standard event and questionable data registers will clear only the separate bits in the summary register.

The following conditions will clear the enable register.

- You turn on the power, and have set the DMM previously by using the *PSC 1 command.
- You execute a *SRE 0 command.

※ Note: If you have set the DMM previously by using *PSC 0, the status byte enable register won't be cleared at power-on.

How to use SRQ (Service Request) and Serial Poll

You have to set their bus controller to repond to the IEEE-488 SRQ and interrupt to use this capability. Use the status byte enable register (SRE) to select the low-level IEEE-488 SRQ signal set by summary bits. As the status byte bit 6 is set, an IEEE-488 SRQ interrupt message will be sent automatically to the bus controller which may poll the instruments on the bus to identify which one requested service. To read the status byte which is using an IEEE-488 serial poll or to read the event register, whose summary bit is cauing the service request, will clear the request service.

You send the IEEE-488 serial poll message to read the status byte summary register. And to query the summary register will return a decimal value corresponding to the binary-weighted sum of the bits set in the register. And serial poll will clear the "request service bit" automatically in the status byte

summary register, but no other bits are affected, i.e. to perform a serial poll won't affect instrument throughput.

※ **Note:** The synchronization between the bus controller program and the instrument isn't able to be ensured by the IEEE-488.2 standard. So you can apply the *OPC? command to ensure that commands sent to the instrument previously have completed. And to execute a serial poll before applying *RST, *CLS or other commands have completed can let pervious conditions be reported.

Read the Status Byte by using *STB?

The *STB? command (status byte query) is like a serial poll except it acts similar to any other instrument command. This command returns the same result as an IEEE-488 serial poll except that the "request service bit 6" isn't cleared if a serial poll has occurred. And the IEEE-488 bus interface hardware can't automatically handle the *STB? command. It will work only after previous commands have completed, and it's impossible to poll by using the *STB? command. Moreover, to use this command doesn't clear the status byte summary register.

Procedures of Interrupting the Bus Controller by Using SRQ

- Send a bus device clear message.
- Clear the event register by using the *CLS command.
- Set the *ESE and *SRE commands to enable masks.
- Send the *OPC? command and enter the result to enable synchronization.
- Enable the bus controller's IEEE-488 SRQ interrupt.

Procedures to Determine When a Command Sequence is Completed.

- Clear the DMM's output buffer by sending a device clear message.
- Clear the event registers by using *CLS command.
- Enable "operation complete" by using the *ESE 1 command.
- Send the *OPC? command and enter the result to enable synchronization.
- When bit 5 is set in the status byte summary register, please use a serial poll to check. Then you could set the DMM for an SRQ interrupt by using *SRE 32.

Usage of the Messages Available Bit (MAV)

You can use the status byte "message available bit 4" to decide when data is

available to read in the bus controller. When the first reading trigger occurs by using the command TRIGger:SOURce:IMMediate, the DMM will automatically enable the bit 4. The DMM will clear bit 4 only after entire messages have been read from the output buffer.

The MAV bit can indicate only when the first reading is generated by the READ? command. So this will be helpful for you as a trigger event such as BUS or EXTERNAL will occur. In addition, the MAV bit is set only after all specified measurements have completed by using the INITiate and FETCH? commands. That means in detail, the INITiate command is used to store readings in the DMM's internal memory. And the FETCH? command is used to transfer readings to the DMM's output buffer.

Signal by Using *OPC When Data is in the Output Buffer

Normally, to use the "operation complete bit 0" in the standard event register will signal as a command sequence is completed. The bit is set in the register after executing an *OPC command. And if you send an *OPC after a command loading a message in the DMM's output buffer, the operation complete bit is allowed to be used to determine as the message is available. However, if there are too many messages generated before executing the *OPC command, the output buffer will be filled, and the DMM will be interrupted to take readings.

About the Standard Event Register

The standard event register reports the instrument event types below, such as power-on detected, command syntax errors, command execution errors, self-test (calibration errors), query errors or the moment of executing an *OPC command. Then through the enable register, all conditions will be reported in the standard event summary bit. At the moment, you have to write a decimal value by using the *ESE command to set the enable register mask.

※ Note 1: The errors in the DMM's error queue except reading the error queue by using SYSTEM:ERRor? will be recorded by an error condition (including bits 2, 3, 4 or 5 of the standard event register).

※ Note 2: In both the standard event register bit 3 and the questionable data event register bits 0, 1 or 9, a reading overload condition can be reported all the time. But in the DMM's error queue, no error message will be recorded.

Bit Definitions for Standard Event Register

Bit	Decimal Value	Definition
0. Operation Complete	1	All commands prior to and including an *OPC command have been executed
1. Not Used	2	Set to 0.
2. Query Error	4	The DMM output buffer was empty as the DMM tried to read from it. Or a new command line was received before a previous query has been read. Or, both the input and output buffers are full.
3. Device Error	8	Error occurrence from a self-test, calibration or reading overload.
4. Execution Error	16	Error occurrence from an execution.
5. Command Error	32	Error occurrence from a command's syntax.
6. Not Used	64	Set to 0.
7. Power On	128	Since the last time the event register was read or cleared, power has been turned off and on.

The following conditions will clear the standard event register.

- You send a *CLS command.
- You query the event register by using the *ESR? command.

The following conditions will clear the standard event enable register.

- You turn on the power, and have set the DMM previously by using the *PSC 1 command.
- You execute a *ESE 0 command.

※ Note: When the DMM is powered on, the standard event enable register won't be cleared if you have set the DMM previously by using *PSC 0.

About the Questionable Data Register

The questionable data register reports the quality of the DMM's measurement results, as well overload conditions and high/low limit test results. Through the enable register, all of the conditions can be reported in the questionable data summary bit. At the moment, you have to write a decimal value by using the STATus:QUESTionable:ENABle command to set the enable register mask.

Bit Definitions for Questionable Data Register

Bit	Decimal Value	Definition
0. Voltage Overload	1	Range overload on dc/ac volts, frequency, period, diode or ratio function
1. Current Overload	2	Range overload on dc/ac current function.
2. Not Used	4	Set to 0
3. Not Used	8	Set to 0
4. Not Used	16	Set to 0
5. Not Used	32	Set to 0
6. Not Used	64	Set to 0
7. Not Used	128	Set to 0
8. Not Used	256	Set to 0
9. Ohms Overload	512	Range overload on 2-/4-wired ohm function.
10. Not Used	1024	Set to 0
11. Limit Failed at LO	2048	Reading is less than lower limit under limit test.
12. Limit Failed at HI	4096	Reading is excess upper limit under limit test.
13. Not Used	8192	Set to 0
14. Not Used	16384	Set to 0
15. Not Used	32768	Set to 0

The following conditions will clear the questionable data event register.

- You execute a *CLS command.
- You query the event register by using STATus:QUESTIONable:EVENT?.

The following conditions will clear the questionable data enable register.

- You turn on the power without using *PSC command.
- You execute the STATus:PRESet command.
- You execute the STATus:QUESTIONable:ENABLE 0 command.

C.10 Status Reporting Commands

SYSTem:ERRor?

Query the multimeter's error queue. Up to 20 errors can be stored in the queue. Errors are retrieved in first-in-first out (FIFO) order. Each error string may contain up to 80 characters.

STATus:QUEStionable:ENABle <enable value>

Enable bits in the Questionable Data enable register. The selected bits are then reported to the Status Byte.

STATus:QUEStionable:ENABle?

Query the Questionable Data enable register. The multimeter returns a binary-weighted decimal representing the bits set in the enable register.

STATus:QUEStionable:EVENT?

Query the Questionable Data event register. The multimeter returns a decimal value which corresponds to the binary-weighted sum of all bits set in the register.

STATus:PRESet

Clear all bits in the Questionable Data enable register.

***CLS**

Clear the Status Byte summary register and all event registers.

***ESE <enable value>**

Enable bits in the Standard Event enable register. The selected bits are then reported to the Status Byte.

***ESE?**

Query the Standard Event enable register. The multimeter returns a decimal value which corresponds to the binary-weighted sum of all bits set in the register.

***ESR?**

Query the Standard event register. The multimeter returns a decimal value which corresponds to the binary-weighted sum of all bits set in the register.

***OPC**

Sets the "operation complete" bit (bit 0) in the Standard Event register after the command is executed.

***OPC?**

Returns "1" to the output buffer after the command is executed.

***PSC {0|1}**

Power-on status clear. Clear the Status Byte and Standard Event register enable masks when power is turned on (*PSC 1). When *PSC 0 is in effect, the Status Byte and Standard Event register enable masks are not cleared when power is turned on. [Stored in non-volatile memory]

***PSC?**

Query the power-on status clear setting. Returns "0" (*PSC 0) or "1" (*PSC 1).

***SRE <enable value>**

Enable bits in the Status Byte enable register.

***SRE?**

Query the Status Byte enable register. The multimeter returns a decimal value which corresponds to the binary-weighted sum of all bits set in the register.

***STB?**

Query the Status Byte summary register. The *STB? command is similar to a serial poll but it is processed like any other instrument command. The *STB? command returns the same result as a serial poll but the "request service" bit (bit 6) is not cleared if a serial poll has occurred.

C.11 SCPI Compliance Information

This section encloses a list of commands that are device-specific to the 12061. Although not included in the 1999.0 version of the SCPI standard, these commands are designed with the SCPI format in mind and they follow all of the syntax rules of the standard.

Many of the required SCPI commands are accepted by the multimeter but are not described in this manual for simplicity or clarity. Most of these non-documented commands duplicate the functionality of a command already described in this chapter.

MEASure:

CONTInuity?

DIODE?

SAMPlE:

COUNT {<value>|MINimum|MAXimum}

COUNT? [MINimum|MAXimum]

[SENSE:]

FUNCTion "CONTInuity"

FUNCTion "DIODE"

FREQuency:VOLTage:RANGe {<range>|MINimum|MAXimum}

FREQuency:VOLTage:RANGe? [MINimum|MAXimum]

FREQuency:VOLTage:RANGe:AUTO {OFF|ON}

FREQuency:VOLTage:RANGe:AUTO?

PERiod:VOLTage:RANGe {<range>|MINimum|MAXimum}

PERiod:VOLTage:RANGe? [MINimum|MAXimum]

PERiod:VOLTage:RANGe:AUTO {OFF|ON}

PERiod:VOLTage:RANGe:AUTO?

ZERO:AUTO?

CALCulate:

PERCent:TARGet {<value>|MINimum|MAXimum}

PERCent:TARGet? [MINimum|MAXimum]

AVERage:MINimum?

AVERage:MAXimum?

AVERage:AVERage?

AVERage:COUNT?

NULL:OFFSet {<value>|MINimum|MAXimum}

NULL:OFFSet? [MINimum|MAXimum]

LIMit:LOWer {<value>|MINimum|MAXimum}

LIMit:LOWer? [MINimum|MAXimum]

LIMit:UPPer {<value>|MINimum|MAXimum}

LIMit:UPPer? [MINimum|MAXimum]

MXB:MMFactor {<value>|MINimum|MAXimum}

MXB:MMFactor? [MINimum|MAXimum]

MXB:MBFactor {<value>|MINimum|MAXimum}
MXB:MBFactor? [MINimum|MAXimum]
DB:REference {<value>|MINimum|MAXimum}
DB:REference? [MINimum|MAXimum]
DBM:REference {<value>|MINimum|MAXimum}
DBM:REference? [MINimum|MAXimum]

CONFigure:

CONTinuity
DIODe

INPut:

IMPedance:AUTO {OFF|ON}
IMPedance:AUTO?

C.12 IEEE-488 Compliance Information

IEEE-488.2 Common Commands

***CLS**
***ESE <enable value>**
***ESE?**
***ESR?**
***IDN?**
***OPC**
***OPC?**
***PSC {0|1}**
***PSC?**
***RST**
***SRE <enable value>**
***SRE?**
***STB?**
***TRG**

Dedicated Hardware Lines Addressed Commands

ATN

IFC

REN

SRQ

Attention

Interface Clear

Remote Enable

Service Request Interrupt

DCL

EOI

GET

GTL

LLO

SDC

SPD

SPE

Device Clear

End or Identify Message Terminator

Group Execute Trigger

Go to Local

Local Lock-Out

Selected Device Clear

Serial Poll Disable

Serial Poll Enable

Using Device Clear to Halt Measurements

Device clear is an IEEE-488 low-level bus message which can be used to halt measurements in progress. Different programming languages and IEEE-488 interface cards provide access to this capability through their own unique commands. The status registers, the error queue, and all configuration states are left unchanged when a device clear message is received. Device clear performs the following actions.

- All measurements in progress are aborted.

- The multimeter returns to the trigger "idle state."
- The multimeter's input and output buffers are cleared.
- The multimeter is prepared to accept a new command string.

For RS-232 operation, sending the <Ctrl-C> character will perform the equivalent operations of the IEEE-488 device clear message.

The multimeter's DTR (data terminal ready) handshake line will be true following a device clear message. See "DTR/DSR Handshake Protocol," for further details.

TALK ONLY for Printers

You can set the address to "31" which is the *talk only* mode. In this mode, the multimeter can output readings directly to a printer without being addressed by a bus controller (over either HP-IB or RS-232).

For proper operation, make sure your printer is configured in the *listen always* mode. Address 31 is not a valid address if you are operating the multimeter from the HP-IB interface with a bus controller.

If you select the RS-232 interface and then set the HP-IB address to the talk only address (31), the multimeter will *send* readings over the RS-232 interface when in the local mode.

D. About Application Programs

This section provides a brief description for each 12061 sample collection.

Visual Basic

Learn how to create and use CHROMA IOUtils components, controls, data access, and more with the Visual Basic sample applications. For an overview and installation details, see Visual Basic: Explore the Samples.

Visual C++

In an MFC application, you can override CHROMA IOUtils interfaces in a class as well as provide additional interfaces. The example in this article illustrates how to override an interface in a class while preserving the

original interface implementation so that it can be delegated to by the new interface implementation. Browse the Visual C++ samples code; see Visual C++ DEVQUERY Sample Application.

Using MEASure? for a Single Measurement

The following example uses the MEASure? command to make a single DCV measurement. This is the easiest way to program the multimeter for measurements. However, MEASure? does not offer much flexibility. The example is shown in Visual Basic.

Creating the Application

Create a new Visual Basic project as follows:

1. Create a new Standar.EXE project.
2. To set the startup object for a Windows Application to Sub Main
3. Add New Module, and declare a Sub Main().

How to: Change the Startup Object for an Application

The Startup Object property for a project defines the entry point to be called when the application loads; generally this is set to either the main form in your application or to the Sub Main procedure that should run when the application starts. Since Class Libraries do not have an entry point, their only option for this property is (None).

For Windows Applications projects, only forms or classes with a Public Sub Main procedure are available as Startup objects unless you check the Startup with custom Sub Main checkbox; when this option is checked, you must add code in the Sub Main procedure for the form.

※ Note: When using a custom Sub Main procedure as the Startup object, code in the Application events (Startup, Shutdown, Startup Next Instance, and Unhandled Exception) is not executed. The Startup Object property can be set in the Application pane of the Project Designer.

To change the startup object

1. With a project selected in Solution Explorer, on the Project menu

- click Properties.
2. Select the Application pane.
 3. Select a Startup object from the Startup object drop-down list.

To set the startup object for a Windows Application to Sub Main

1. With a project selected in Solution Explorer, on the Project menu click Properties.
2. Select the Application pane.
3. Check the Startup with custom Sub Main checkbox.
4. Select Sub Main from the Startup object drop-down list.

LISTING C.1. MEASure.bas--THE Sub Main FUNCTION IS WHERE YOU NEED TO ADD INITIALIZATION CODE.

```

Sub Main()

    Dim stat As ViStatus
    Dim dfltRM As ViSession
    Dim sesn As ViSession
    Dim fList As ViFindList
    Dim desc As String * VI_FIND_BUFLen
    Dim nList As Long
    Dim ret As Long
    Dim readin As String * 64

    stat = viOpenDefaultRM(dfltRM)
    If (stat < VI_SUCCESS) Then
        'Rem Error initializing VISA ... exiting
        MsgBox "USBTMC resource not found.", vbExclamation, "12061 multimeter
device test"
        Exit Sub
    End If

    Rem Find all 12061 USBTMC instruments in the system
    stat = viFindRsrc(dfltRM, "USB[0-9]*::0x1698::0x083F::*INSTR", fList,
nList, desc)
    If (stat < VI_SUCCESS) Then
        'Rem Error finding resources ... exiting
        MsgBox "12061 device not found.", vbExclamation, "12061 multimeter
device test"
        viClose (dfltRM)
        Exit Sub
    End If

    Rem Open a session to each and determine if it matches
    stat = viOpen(dfltRM, desc, VI_NULL, VI_NULL, sesn)
    If (stat < VI_SUCCESS) Then
        MsgBox "Open device failed.", vbExclamation, "12061 multimeter device
test"
        stat = viClose(fList)
        Exit Sub
    End If

```



```

Rem send reset command '*RST' -- reset 12061
stat = viWrite(sesn, "*RST", 4, ret)
If (stat < VI_SUCCESS) Then
    MsgBox "System command error. (*RST)", vbExclamation, "12061
multimeter device test"
    stat = viClose(fList)
    Exit Sub
End If
Rem send Clear command '*CLS'-- Clear 12061 status register
stat = viWrite(sesn, "*CLS", 4, ret)
If (stat < VI_SUCCESS) Then
    MsgBox "System command error. (*CLS)", vbExclamation, "12061
multimeter device test"
    stat = viClose(fList)
    Exit Sub
End If

Rem send measure command -- Set to 0.1 volt dc range
stat = viWrite(sesn, "meas:volt:DC? 0.1,0.01", 22, ret)
If (stat < VI_SUCCESS) Then
    MsgBox "System command error. (meas:volt:dc? ...)", vbExclamation,
"12061 multimeter device test"
    stat = viClose(fList)
    Exit Sub
End If

Rem fetch the measure data
stat = viRead(sesn, readin, 64, ret)
If (stat < VI_SUCCESS) Then
    MsgBox "Read in data error.", vbExclamation, "12061 multimeter device
test"
    stat = viClose(fList)
    Exit Sub
End If

Debug.Print "Rdg = "; readin

Rem set to local mode
stat = viWrite(sesn, "system:local", 12, ret)
If (stat < VI_SUCCESS) Then
    MsgBox "System command error. (system:local)", vbExclamation, "12061
multimeter device test"
    stat = viClose(fList)
    Exit Sub
End If

stat = viClose(sesn)
stat = viClose(fList)
stat = viClose(dfltRM)

MsgBox "End of Job."

End Sub

```

Using CONFigure with a Math Operation

The following example uses CONFigure with the dBm math operation. The CONFigure command gives you a little more programming

flexibility than the MEASure? command. This allows you to “incrementally” change the multimeter’s configuration. The example is shown in Visual Basic.

Creating the Application

Create a new Visual Basic project as follows:

1. Create a new Standar.EXE project.
2. To set the startup object for a Windows Application to Sub Main
3. Add New Module, Declare a Sub Main().

LISTING C.2. THE CONFigure FUNCTION.

```
Public Declare Sub Sleep Lib "kernel32" (ByVal dwMilliseconds As Long)

Sub main()

    Rem #####
    Rem
    Rem    Using NI-VISA library visa32.dll
    Rem
    Rem    Set sample count 5 configuration and
    Rem    read the trigger
    Rem
    Rem #####

    Dim stat As ViStatus
    Dim dfltRM As ViSession
    Dim sesn As ViSession
    Dim fList As ViFindList
    Dim desc As String * VI_FIND_BUFLen
    Dim nList As Long
    Dim ret As Long
    Dim readin As String * 128
    Dim i As Integer      ' Array index

    stat = viOpenDefaultRM(dfltRM)
    If (stat < VI_SUCCESS) Then
        'Rem Error initializing VISA ... exiting
        MsgBox "USBTMC resource not found.", vbExclamation, "12061 multimeter
device test"
        Exit Sub
    End If

    Rem Find all 12061 USBTMC instruments in the system
    stat = viFindRsrc(dfltRM, "USB[0-9]*::0x1698::0x083F::?*INSTR", fList,
nList, desc)
    If (stat < VI_SUCCESS) Then
        'Rem Error finding resources ... exiting
        MsgBox "12061 device not found.", vbExclamation, "12061 multimeter
device test"
        viClose (dfltRM)
        Exit Sub
    End If
```

```

Rem Open a session to each and determine if it matches
stat = viOpen(dfltRM, desc, VI_NULL, VI_NULL, sesn)
If (stat < VI_SUCCESS) Then
    MsgBox "Open device failed.", vbExclamation, "12061 multimeter device
test"
    stat = viClose(fList)
    Exit Sub
End If

Rem send reset command '*RST' -- reset 12061
stat = viWrite(sesn, "*RST", 4, ret)
If (stat < VI_SUCCESS) Then
    MsgBox "System command error. (*RST)", vbExclamation, "12061
multimeter device test"
    stat = viClose(fList)
    Exit Sub
End If
Rem send Clear command '*CLS'-- Clear 12061 status register
stat = viWrite(sesn, "*CLS", 4, ret)
If (stat < VI_SUCCESS) Then
    MsgBox "System command error. (*CLS)", vbExclamation, "12061
multimeter device test"
    stat = viClose(fList)
    Exit Sub
End If

Rem send command -- 50 ohm reference resistance
stat = viWrite(sesn, "CALC:DBM:REF 50", 15, ret)
If (stat < VI_SUCCESS) Then
    MsgBox "System command error.", vbExclamation, "12061 multimeter
device test"
    stat = viClose(fList)
    Exit Sub
End If
Rem send command -- Set 12061 to 1 amp ac range
stat = viWrite(sesn, "CONF:VOLT:AC 1,0.001", 20, ret)
If (stat < VI_SUCCESS) Then
    MsgBox "System command error.", vbExclamation, "12061 multimeter
device test"
    stat = viClose(fList)
    Exit Sub
End If
Rem send command -- Select 200 Hz (fast) ac filter
stat = viWrite(sesn, "DET:BAND 200", 12, ret)
If (stat < VI_SUCCESS) Then
    MsgBox "System command error.", vbExclamation, "12061 multimeter
device test"
    stat = viClose(fList)
    Exit Sub
End If
Rem send command -- 12061 will accept 5 triggers
stat = viWrite(sesn, "SAMP:COUN 5", 11, ret)
If (stat < VI_SUCCESS) Then
    MsgBox "System command error.", vbExclamation, "12061 multimeter
device test"
    stat = viClose(fList)
    Exit Sub
End If
Rem send command -- Trigger source is IMMEDIATE
stat = viWrite(sesn, "TRIG:SOUR IMM", 13, ret)

```

```

    If (stat < VI_SUCCESS) Then
        MsgBox "System command error.", vbExclamation, "12061 multimeter
device test"
        stat = viClose(fList)
        Exit Sub
    End If
    Rem send command -- Select dBm function
    stat = viWrite(sesn, "CALC:FUNC DBM", 13, ret)
    If (stat < VI_SUCCESS) Then
        MsgBox "System command error.", vbExclamation, "12061 multimeter
device test"
        stat = viClose(fList)
        Exit Sub
    End If

    Rem send command -- Enable math
    stat = viWrite(sesn, "CALC:STAT ON", 12, ret)
    If (stat < VI_SUCCESS) Then
        MsgBox "System command error.", vbExclamation, "12061 multimeter
device test"
        stat = viClose(fList)
        Exit Sub
    End If

    Rem send command -- Take readings
    stat = viWrite(sesn, "READ?" & vbLf, 6, ret)
    If (stat < VI_SUCCESS) Then
        MsgBox "System command error.", vbExclamation, "12061 multimeter
device test"
        stat = viClose(fList)
        Exit Sub
    End If

    Sleep (3000) ' wait for math processing

    Rem fetch the measure data
    stat = viRead(sesn, readin, 128, ret)
    If (stat < VI_SUCCESS) Then
        MsgBox "Read in data error.", vbExclamation, "12061 multimeter device
test"
        stat = viClose(fList)
        Exit Sub
    End If

    Rem set to local mode
    stat = viWrite(sesn, "system:local", 12, ret)
    If (stat < VI_SUCCESS) Then
        MsgBox "System command error. (system:local)", vbExclamation, "12061
multimeter device test"
        stat = viClose(fList)
        Exit Sub
    End If

    stat = viClose(sesn)
    stat = viClose(fList)
    stat = viClose(dfItRM)

    For i = 0 To (5 - 1) ' print out the 5 times samples reading
        Debug.Print "Rdgs = "; Mid(readin, i * 16 + 1, 15)
    Next i

```

```
    MsgBox "End of Job."
```

```
End Sub
```

C++ DEVQUERY Sample Application

This C sample application is a Win32 console application. It illustrates how to use the CHROMA IOUtils COM. A Win32 console application is a Win32 application which uses text-based input and output, not a graphical interface. This allows you to quickly create a Win32 application by using simple input and output functions.

Creating the Application

Create a new Visual C++ project as follows:

1. Create a new Win32 Console Application project, calling the project DEVQUERY.
2. Specify that this project will be a simple application in the last AppWizard step.

LISTING C.3. THE DEVQUERY FUNCTION.

```
// devquery.cpp : Defines the entry point for the console application.
//
// Call the NI-VISA library visa32.dll
//
//

#include "stdafx.h"
#include "visa.h"

//standard include for a Microsoft Visual C++ project
#include "stdio.h"
#include "windows.h"

void main(int argc, char* argv[])
{
    // TODO: Add your control notification handler code here
```

```

HINSTANCE hUSBTMCLIB;           // for USBTMC HANDLE
unsigned long m_defaultRM_usbtmc, m_instr_usbtmc;
unsigned long m_findList_usbtmc;
unsigned long m_nCount;
ViStatus  status;
int      m_Timeout = 7000;
char     *pStrout;           // Write out data buffer
BYTE     pStrin[64];        // Read in data buffer
int      len;
ULONG    nWritten;
ULONG    nRead = 0;
char     buffer[256];
char     instrDescriptor[256];

// Load the NI-VISA library for USBTMC device
hUSBTMCLIB = LoadLibrary ("visa32.dll");

if (!hUSBTMCLIB)
{
    MessageBox(NULL, "NIVISA for USBTMC library not found.", "12061
multimeter device test", MB_OK);
    return;
}

// Link the libraries
signed long (__stdcall *PviOpenDefaultRM_usb) (unsigned long *vi);
signed long (__stdcall *PviFindRsrc_usb)      (unsigned long sesn, char
*expr, unsigned long *vi,
                                                    unsigned long
*retCnt, char far desc[]);
signed long (__stdcall *PviOpen_usb)          (unsigned long sesn,
char *name, unsigned long mode,
                                                    unsigned long
timeout, unsigned long *vi);
signed long (__stdcall *PviClose_usb)         (unsigned long vi);
signed long (__stdcall *PviWrite_usb)        (unsigned long vi,
unsigned char *name, unsigned long len,

```

```

                                                                    unsigned long
*retval);
    signed long (__stdcall *PviRead_usb) (unsigned long vi,
unsigned char *name, unsigned long len,
                                                                    unsigned long
*retval);
    signed long (__stdcall *PviSetAttribute_usb) (unsigned long vi,
unsigned long viAttr, unsigned long attrstat);

    PviOpenDefaultRM_usb = (signed long (__stdcall*)(unsigned
long*))GetProcAddress(hUSBTMCLIB, (LPCSTR)"viOpenDefaultRM");
    PviFindRsrc_usb = (signed long (__stdcall*)(unsigned long, char*,
unsigned long*,
                                                                    unsigned
                                                                    long*,
char[]))GetProcAddress(hUSBTMCLIB, (LPCSTR)"viFindRsrc");
    PviClose_usb = (signed long (__stdcall*)(unsigned
long))GetProcAddress(hUSBTMCLIB, (LPCSTR)"viClose");
    PviOpen_usb = (signed long (__stdcall*)(unsigned long, char*,
unsigned long,
                                                                    unsigned
                                                                    long,
                                                                    unsigned
long*))GetProcAddress(hUSBTMCLIB, (LPCSTR)"viOpen");
    PviWrite_usb = (signed long (__stdcall*)(unsigned long, unsigned
char*, unsigned long,
                                                                    unsigned long*))GetProcAddress(hUSBTMCLIB,
(LPCSTR)"viWrite");
    PviRead_usb = (signed long (__stdcall*)(unsigned long,
unsigned char*, unsigned long,
                                                                    unsigned long*))GetProcAddress(hUSBTMCLIB,
(LPCSTR)"viRead");
    PviSetAttribute_usb = (signed long (__stdcall*)(unsigned long, unsigned
long, unsigned long))GetProcAddress(hUSBTMCLIB, (LPCSTR)"viSetAttribute");

    if (PviOpenDefaultRM_usb == NULL ||
        PviFindRsrc_usb == NULL ||
        PviClose_usb == NULL ||
        PviOpen_usb == NULL ||

```

```

        PviWrite_usb      == NULL ||
        PviRead_usb       == NULL ||
        PviSetAttribute_usb == NULL
    )
}
    FreeLibrary (hUSBTMCLIB);
    hUSBTMCLIB = NULL;
    MessageBox(NULL, "NIVISA for USBTMC library not ready.", "12061
multimeter device test", MB_OK);
    return;
}

printf("\n ##### Start C++ Example program. #####\n");
printf(" We check the 12061 multimeter on USB port and\n");
printf(" identify the first connected 12061 device.\n\n");

// Open Device -- Resource Manager
status = PviOpenDefaultRM_usb(&m_defaultRM_usbtmc);
if (status < 0L)
{
    PviClose_usb(m_defaultRM_usbtmc);
    hUSBTMCLIB = NULL;
    m_defaultRM_usbtmc = 0;
    MessageBox(NULL, "USBTMC resource not found.", "12061
multimeter device test", MB_OK);
    return;
}
else
{
    // Find the USBTMC device USB[0-9]*::0x1698::0x083F::*INSTR
( Hex )
    status = PviFindRsrc_usb (m_defaultRM_usbtmc,
"USB[0-9]*::0x1698::0x083F::*INSTR", &m_findList_usbtmc, &m_nCount,
instrDescriptor);
    if (status < 0L)
    {
        // Find the USBTMC device

```



```

USB[0-9]*::0x1698::0x083F::?*INSTR ( Dec )
        status      =      PviFindRsrc_usb      (m_defaultRM_usbtmc,
"USB[0-9]*::5769::2111::?*INSTR",    &m_findList_usbtmc,    &m_nCount,
instrDescriptor);
        if (status < 0L)
        {
                PviClose_usb(m_defaultRM_usbtmc);
                hUSBTMCLIB = NULL;
                m_defaultRM_usbtmc = 0;
        }
        else
        {
                PviOpen_usb(m_defaultRM_usbtmc, instrDescriptor, 0, 0,
&m_instr_usbtmc);
                status      =      PviSetAttribute_usb(m_instr_usbtmc,
VI_ATTR_TMO_VALUE, m_Timeout);
        }
        }
        else
        {
                PviOpen_usb(m_defaultRM_usbtmc, instrDescriptor, 0, 0,
&m_instr_usbtmc);
                status      =      PviSetAttribute_usb(m_instr_usbtmc,
VI_ATTR_TMO_VALUE, m_Timeout);
        }
        }

        if (!hUSBTMCLIB)
        {
                printf("12061 device connect failed.\n");
                return;
        }

        // Write command "*IDN?" and read the 12061 identification string
        len = 64;
        pStrout = new char[len];
        ZeroMemory(pStrout, len);

```

```

strcpy(pStrout, "*idn?");
status = PviWrite_usb(m_instr_usbtmc, (unsigned char *)pStrout, 6,
&nWritten);
Sleep(30);
if (status != VI_SUCCESS)
{
    MessageBox(NULL, "Write to device error.", "12061 multimeter device
test", MB_OK);
    PviClose_usb(m_defaultRM_usbtmc);
    hUSBTMCLIB = NULL;
    m_defaultRM_usbtmc = 0;
    return;
}
else
{
    printf(" output : *IDN?\n");
}
Sleep(1000);
// Read data from device
len = 64;
if (hUSBTMCLIB)
{
    status = PviRead_usb(m_instr_usbtmc, pStrin, len, &nRead);
    if (nRead > 0)
    {
        for (len=0; len < (long) nRead; len++)
        {
            buffer[len] = pStrin[len];
        }
    }
    buffer[nRead] = '\0';
    printf(" input : %s\n\n",buffer);
}

// Set sample count to 1
strcpy(pStrout, "SAMP:COUN 1");
status = PviWrite_usb(m_instr_usbtmc, (unsigned char *)pStrout, 12,

```

```

&nWritten);
    Sleep(30);

    // Set configure Voltage AC, range 0.1A
    strcpy(pStrout, "CONF:VOLT:AC 0.1,0.01");
    status = PviWrite_usb(m_instr_usbtmc, (unsigned char *)pStrout, 22,
&nWritten);
    Sleep(3000);

    // Set configure frequency, range Auto
    strcpy(pStrout, "CONF:FREQ");
    status = PviWrite_usb(m_instr_usbtmc, (unsigned char *)pStrout, 10,
&nWritten);
    Sleep(3000);

    // Set configure Current DC, range 0.1A
    strcpy(pStrout, "CONF:CURR:DC 1,0.01");
    status = PviWrite_usb(m_instr_usbtmc, (unsigned char *)pStrout, 20,
&nWritten);
    Sleep(3000);

    // Fetch the 12061 measure value ( screen value )
    // Set Voltage DC measure
    strcpy(pStrout, "CONF:VOLT:DC 0.1,0.1");
    status = PviWrite_usb(m_instr_usbtmc, (unsigned char *)pStrout, 21,
&nWritten);
    Sleep(1000);

    // Send read command
    strcpy(pStrout, "READ?");
    status = PviWrite_usb(m_instr_usbtmc, (unsigned char *)pStrout, 6,
&nWritten);
    Sleep(30);
    printf(" output : READ?\n");

    status = PviRead_usb(m_instr_usbtmc, pStrin, 64, &nRead);
    if (nRead > 0)

```

```

{
    for (len=0; len < (long) nRead; len++)
    {
        buffer[len] = pStrin[len];
    }
}
buffer[nRead] = '\0';
printf(" input : %s\n\n", buffer);

// Set device to local mode
strcpy(pStrout, "system:local");
status = PviWrite_usb(m_instr_usbtmc, (unsigned char *)pStrout, 13,
&nWritten);
free(pStrout);

// Close device
if (!hUSBTMCLIB)
    return;
m_nCount = 0;
m_defaultRM_usbtmc = 0;
FreeLibrary (hUSBTMCLIB);
hUSBTMCLIB = NULL;

return;
}

```



Conformity with the following European Directives:

The product herein conforms with the requirements of the Low Voltage Directive 73/23/EEC and the EMC Directive 2004/108/EC and goes with the CE Marking accordingly.

Conformity with the following product standards:

Manufacturer Name: **CHROMA Corp.**

Manufacturer Address: **68, Hwa-Ya 1st Rd, Hwa-Ya Technical Park, Kuei-ShanHsiang, Tao Yuan Hsien, Taiwan**

Declaration of Product

Product Name: **61/2 Digit Digital Multimeter**

Model Number: **12061**

Product Accessories: **This declaration applies to all accessories of the above product(s).**

EMC:

EN61326-1:2006

EN61326-2-1:2006

EMI:

CISPR 11:1997+A1:1999+A2:2002 Class B

IEC61000-3-2:2000

IEC61000-3-3:1994+A1:2001

EMS:

IEC61000-4-2:1995+A1:1998+A2:2000

IEC61000-4-3:2002

IEC61000-4-4:2004

IEC61000-4-5:1995+A1:2000

IEC61000-4-6:1996+A1:2000

IEC61000-4-8:1993+A1:2000

IEC61000-4-11:1994+A1:2000

Safety:

IEC61010-1:2001/EN61010-1:2001(2nd Edition)

UL61010-1:2004

For more information, please contact your local supplier, sales office or distributor.