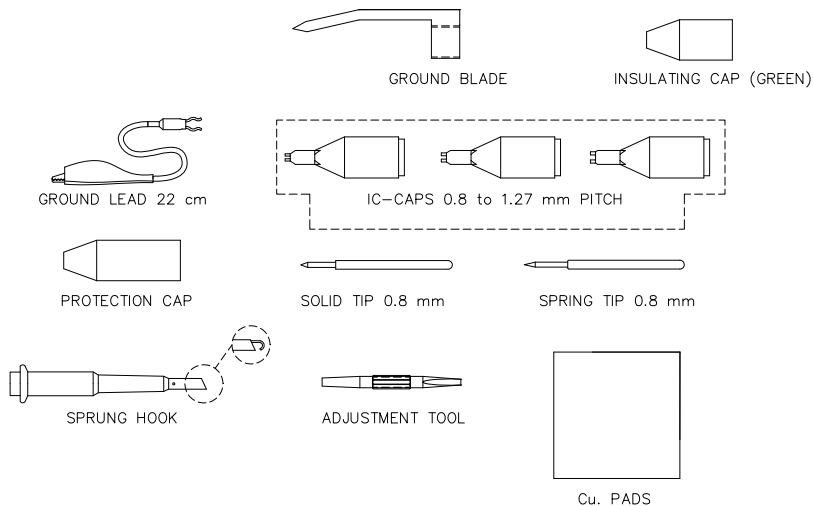


**Model 6494**  
**Modular Passive Oscilloscope Probe w/RO**



**Model 6494**  
**Modular Passive Oscilloscope Probe with Readout Actuator**

**Accessories included with Probe:**



**Features**

- This probe is recommended for general purpose probing applications and is adjustable for low frequencies.
- The probe's entire core is made of a high quality ceramic hybrid.
- Pure coaxial design and laser trimmed resistors ensure highest signal fidelity along the signal path offering high bandwidth and fast risetimes for accurate impulse measurements.
- Our passive probes are spring loaded, with needle sharp tips to support precise and safe measurements.
- Probe tips are interchangeable and can be replaced easily.
- Accessories (one of each) included with Probe are:
  - Ground Blade
  - Ground Lead with Alligator Clip 22 cm (8.66")
  - IC Caps: 0.8mm, 1.0mm, and 1.27mm pitch
  - Insulating Cap (green)
  - Protection Cap
  - Solid Tip 0.8mm (0.0315")
  - Spring Tip 0.8mm (0.0315")
  - Sprung Hook
  - Adjustment Tool
  - Copper (Cu) Pads

- The Readout BNC connector enables automatic recognition by scopes that feature a sense ring to detect probe attenuation.

**Specifications**

<b>Attenuation Ratio</b>	10:1
<b>Maximum Input Voltage CAT II<sup>1</sup></b>	300 Vrms
<b>Scope Bandwidth MHz</b>	60
<b>Probe Bandwidth MHz (-3 dB)</b>	150
<b>System Risettime (ns)</b>	< 2.4
<b>Probe Input Resistance (MΩ)</b>	10
<b>Probe Input Capacitance (pF)</b>	< 12.5
<b>Compensation Range (pF)</b>	15 - 40
<b>Readout Actuator<sup>2</sup></b>	Yes
<b>Cable Length</b>	4 ft. (1.2 m)

<sup>1</sup> Rating: Per IEC 61010-031. Maximum voltage allowed on the low or ground connection including shell and housing must not exceed 30 V.

<sup>2</sup> Any oscilloscope that uses the Tektronix® style range actuator.

**Ordering Information**

Model: 6494  
150 MHz X10 Scope Probe RO

Distribuido Por:  
www.finaltest.com.mx  
Calle del Ebano #16625  
Tijuana B.C. Mexico  
Tel. (664)681-1130  
Tel. 01800 027-4848  
ventas@final-test.net



All dimensions are in inches. Tolerances (except noted): .xx = ±.02" (.51 mm), .xxx = ±.005" (.127 mm). All specifications are to the latest revisions. Specifications are subject to change without notice. Registered trademarks are the property of their respective companies.