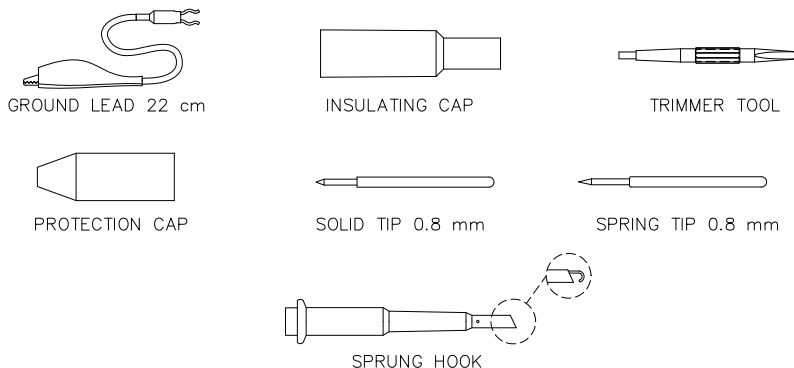


Model 6498
1000V CAT II Passive Oscilloscope Probe



Model 6498
1000V CAT II Passive Oscilloscope Probe

Accessories included with Probe:



Features

- This probe is recommended for probing applications in service and development environments and is adjustable for low and high frequencies.
- The DC fine adjustment enables trimming for preferred voltage ranges.
- The probe's entire core is made of a high quality ceramic hybrid.
- Pure coaxial design and laser trimmed resistors ensure highest signal fidelity along the signal path offering high bandwidth and fast risetimes for accurate impulse measurements.
- Our passive probes are spring loaded, with needle sharp tips to support precise and safe measurements.
- Probe tips are interchangeable and can be replaced easily.
- Accessories (one of each) included with Probe are:
 - Ground Lead with Alligator Clip 22 cm (8.66")
 - Insulating Cap
 - Protection Cap
 - Solid Tip 0.8mm (0.0315")
 - Spring Tip 0.8mm (0.0315")
 - Sprung Hook
 - Trimmer Tool

Specifications

Attenuation Ratio	100:1
Maximum Input Voltage CAT II¹	1000 Vrms
Scope Bandwidth MHz	500
System Bandwidth MHz (-3 dB)	400
System Rise time (ns)	< 0.9
Probe Input Resistance (MΩ)	50
Probe Input Capacitance (pF)	< 7.5
Compensation Range (pF)	10 – 50
Cable Length	6.6 ft. (2 m)

¹ Rating: Per IEC 61010-031. Maximum voltage allowed on the low or ground connection including shell and housing must not exceed 30 V.

Ordering Information

Model: 6498

Distribuido Por:
www.finaltest.com.mx
Calle del Ebanó #16625
Tijuana B.C. Mexico
Tel. (664)681-1130
Tel. 01800 027-4848
ventas@final-test.net

FINAL TEST
Venta de Instrumentos de Prueba y Medición

All dimensions are in inches. Tolerances (except noted): .xx = ±.02" (.51 mm), .xxx = ±.005" (.127 mm). All specifications are to the latest revisions. Specifications are subject to change without notice. Registered trademarks are the property of their respective companies.