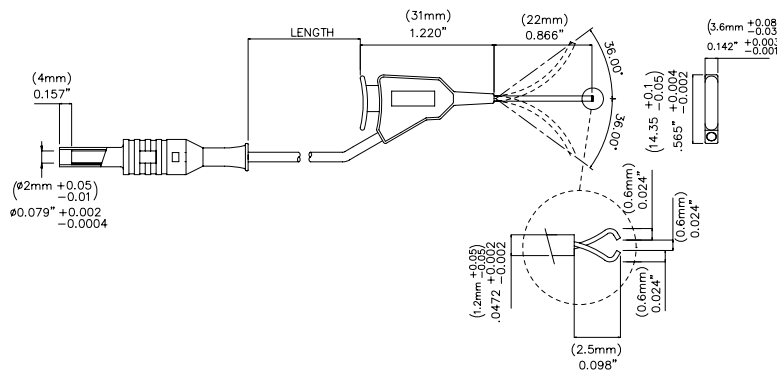


Models 72907

Mini SMD Grabber Test Clip with Lead and 2mm Jack



**Test lead with Mini Smd
Grabber Test Clip to 2mm Jack**

Features

- Mini SMD Grabber Test Clip (Pomona 72906) with 20 inch (50cm) lead and 2mm Jack. (Black)

Materials

- Connector Body is Nickel plated Brass.
- Connector insulation is Polypropylene
- 0.8mm Socket is Gold over Nickel plated Brass.
- Insulation of 0.8mm is Elastomere
- Wire is Silicone.

Ordering Information

Model: 72907-20-Color

Available Colors: Black (-0), Red (-2)

Specifications

Max Current	Max. 1A
Max Voltage	33 V AC / 70 V DC
Temperature Rating	-20° C + 80° C
Max Resistance	Less than 8 mΩ

Rating: *hands free testing* in controlled environment: 70Vrms max. For CE compliance: Not intended for hand-held use at voltages above 33Vrms/70Vdc

Distribuido Por:
www.finaltest.com.mx
Calle del Ebano #16625
Tijuana B.C. Mexico
Tel. (664)681-1130
Tel. 01800 027-4848
ventas@final-test.net



All dimensions are in inches. Tolerances (except noted): .xx = ±.02" (.51 mm), .xxx = ±.005" (.127 mm). All specifications are to the latest revisions. Specifications are subject to change without notice. Registered trademarks are the property of their respective companies.