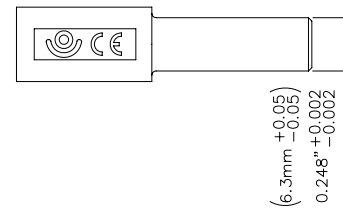
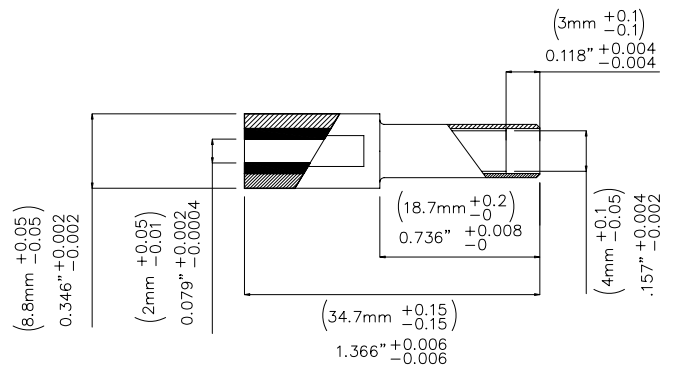


Models 72914

4mm Safety Banana Jack to 2mm Banana Plug Adapter



Features

- Provides a quick and easy conversion from a 4mm banana plug to a 2mm.
- Allows 4mm banana plugs/ patch cords to connect to 2mm banana jacks or binding posts

Materials

- Jack: Nickel plated brass
- Insulation: Polyamide

Ordering Information

Model 72914- Color Sold 10 per package
Colors: -0 (Black) and -2 (Red)

Model: 72914-02 contains 1 black and 1 red

Specifications

Max Current	36A max
Max Voltage	33 V AC/ 70 V DC
Max Resistance	Less than 5 mΩ

Rating: *hands free testing* in controlled environment: 70Vrms max. For CE compliance: Not intended for hand-held use at voltages above 33Vrms/70Vdc

Distribuido Por:
www.finaltest.com.mx
Calle del Ebanó #16625
Tijuana B.C. Mexico
Tel. (664)681-1130
Tel. 01800 027-4848
ventas@final-test.net



All dimensions are in inches. Tolerances (except noted): .xx = ±.02" (.51 mm), .xxx = ±.005" (.127 mm). All specifications are to the latest revisions. Specifications are subject to change without notice. Registered trademarks are the property of their respective companies.