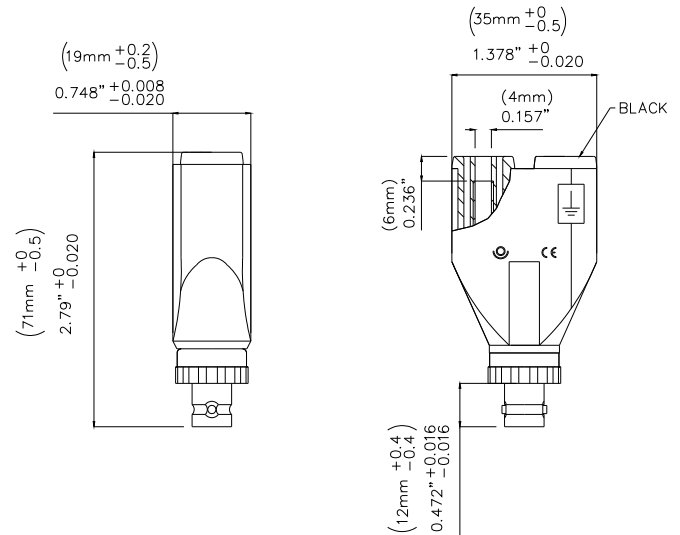


Model 72938
IEC Insulated BNC (F) to two 4 mm banana jacks



Features

- IEC Insulated BNC (F) to two 4 mm banana jacks.
- Adapter converts test instrument safety banana leads to BNC configuration for added shielding and safety.
- Rating: 500V Cat I, 150V Cat II

Specifications

Max Current	3A
Max Voltage	500V CAT I, 150V CATII

Materials

- Connector body: Nickel plated Brass
- Center Contact: Gold Plated Brass
- Dielectric: White PTFE
- Insulation: Polyamide
- Banana Jack: Nickel plated Brass

Ordering Information

Model: 72938

Distribuido Por:
www.finaltest.com.mx
Calle del Eban #16625
Tijuana B.C. Mexico
Tel. (664)681-1130
Tel. 01800 027-4848
ventas@final-test.net



All dimensions are in inches. Tolerances (except noted): .xx = ±.02" (.51 mm), .xxx = ±.005" (.127 mm). All specifications are to the latest revisions. Specifications are subject to change without notice. Registered trademarks are the property of their respective companies.