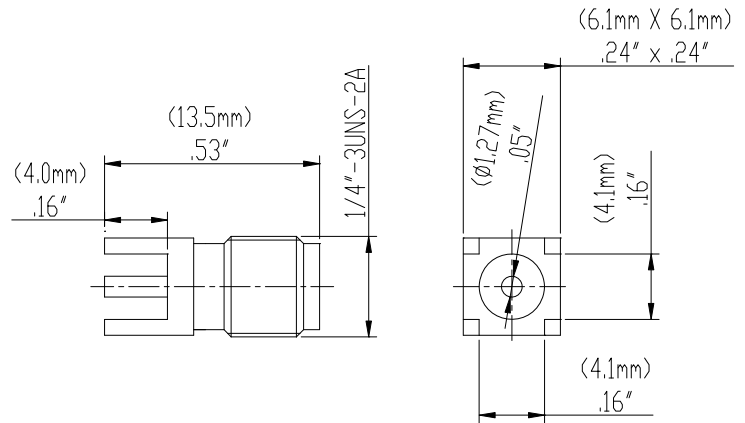


**Model 72963
SMA JACK STRAIGHT PCB RECEPTACLE**



Model 72963 SMA JACK STRAIGHT PCB RECEPTACLE

High bandwidth, small size, and durability for confident connections.

Features

- DC - 18 GHz
- Meets MIL-C-39012, IEC 169-15, CECC 22110.
- Small size and durability for mobile communications.
- Precision machined and gold-plated for low loss.

Materials

- Body is machined brass with gold plating.
- Center Contacts - Plug is gold plated brass and Jack is gold plated Beryllium copper.
- Insulators are high quality PTFE.
- Crimp Ferrules are copper with gold or nickel plating.

Specifications

| | |
|---------------------------------|------------------------------------|
| Impedance | 50 Ω |
| Frequency Range | DC - 18 GHz |
| Working Voltage | < 500 V _{peak} |
| Dielectric Withstanding Voltage | 1,000 V _{rms} |
| VSWR | 1.25 max. |
| Center/Outer Contact Resistance | 0.003/0.002 Ω max |
| Insulation resistance | > 5000 MΩ |
| Number of Insertions | 500 cycles minimum |
| Temperature Range | -65° C to 165° C, -85° F to 329° F |

Ordering Information

Model: 72963

Description: SMA JACK STRAIGHT PCB RECEPTACLE

Distribuido Por:
www.finaltest.com.mx
Calle del Ebanó #16625
Tijuana B.C. Mexico
Tel. (664)681-1130
Tel. 01800 027-4848
ventas@final-test.net



All dimensions are in inches. Tolerances (except noted): .xx = ±.02" (.51 mm), .xxx = ±.005" (.127 mm). All specifications are to the latest revisions. Specifications are subject to change without notice. Registered trademarks are the property of their respective companies.