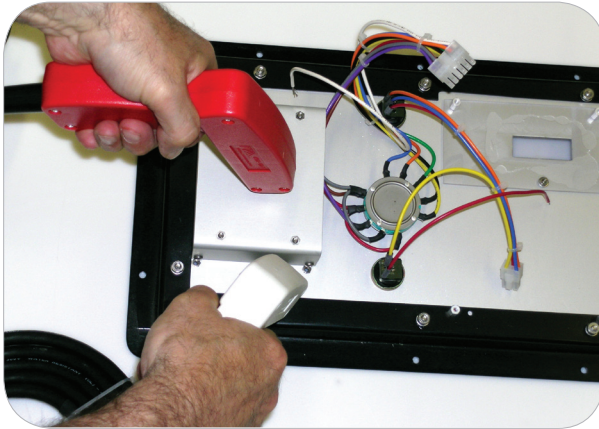


VOLTAGE AND RESISTANCE PRODUCTS

HTP-101A 'Pistol Grip' Probes

Made for tough duty applications where metal components and surfaces need to be tested for "bonding". These probes are molded with impact resistant polycarbonate material. Pins are hardened stainless steel and rotate when pressed onto the DUT. Wires are 8 feet long each and are terminated in color coded spade lugs. Pin center to center is 0.5 in (1.27 cm).



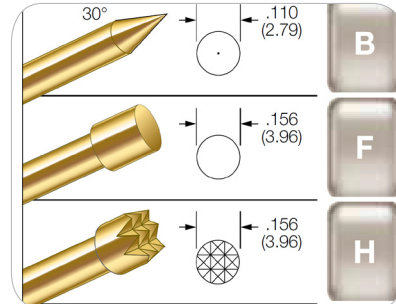
Model HTP-101A



SKP-8 Kelvin Probes

Excellent for making four-wire surface resistance measurements on films and other metallic surfaces. Features replaceable pins for heavy duty uses. The test leads are 8 feet long each and are terminated in color coded spade lugs. Pin center to center is 0.19 in (0.48 cm). Variety of probe tips available.

Replacement Pin Set (4) P/N BKP-B, BKP-F, and BKP-H (shown right)



Model SKP-8



10 TEGAM Way • Geneva, Ohio 44041

Phone: 440-466-6100 • Fax: 440-466-6110 • E-mail: sales@tegam.com • www.tegam.com

Prices and specifications subject to change without notice.