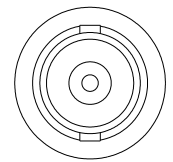
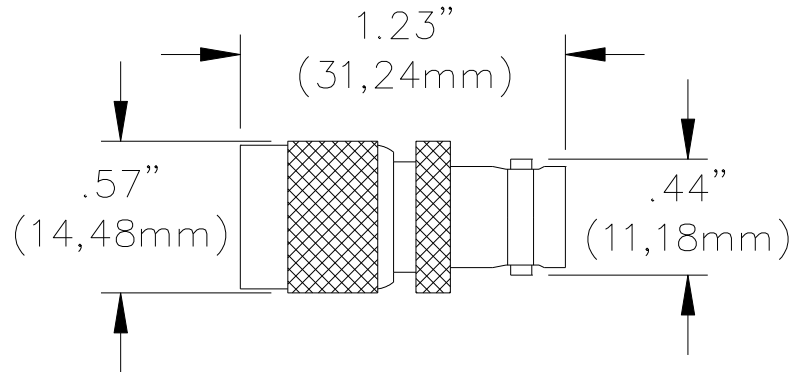


TNC Male



BNC Female

### **MATERIALS:**

Body: Tarnish Resistant Nickel Plated Brass

Center Contact:

Male: Gold Plated Brass

Female: Gold Plated Beryllium Copper

Dielectric: Teflon

### **RATINGS:**

Operating Voltage: Hands free usage in controlled voltage environments: 500 Vrms maximum. *For CE compliance: not intended for hand-held use at voltages above 33 Vrms/70 Vdc.*

Nominal Impedance: 50 Ohms

### **ORDERING INFORMATION:**

Model 3844



All dimensions are in inches. Tolerances (except noted): .xx = ±.02" (.51 mm), .xxx = ±.005" (.127 mm).

All specifications are to the latest revisions. Specifications are subject to change without notice.

Registered trademarks are the property of their respective companies.

Distribuido Por:

[www.finaltest.com.mx](http://www.finaltest.com.mx)

Calle del Eban #16625

Tijuana B.C. Mexico

Tel. (664)681-1130

Tel. 01800 027-4848

[ventas@final-test.net](mailto:ventas@final-test.net)