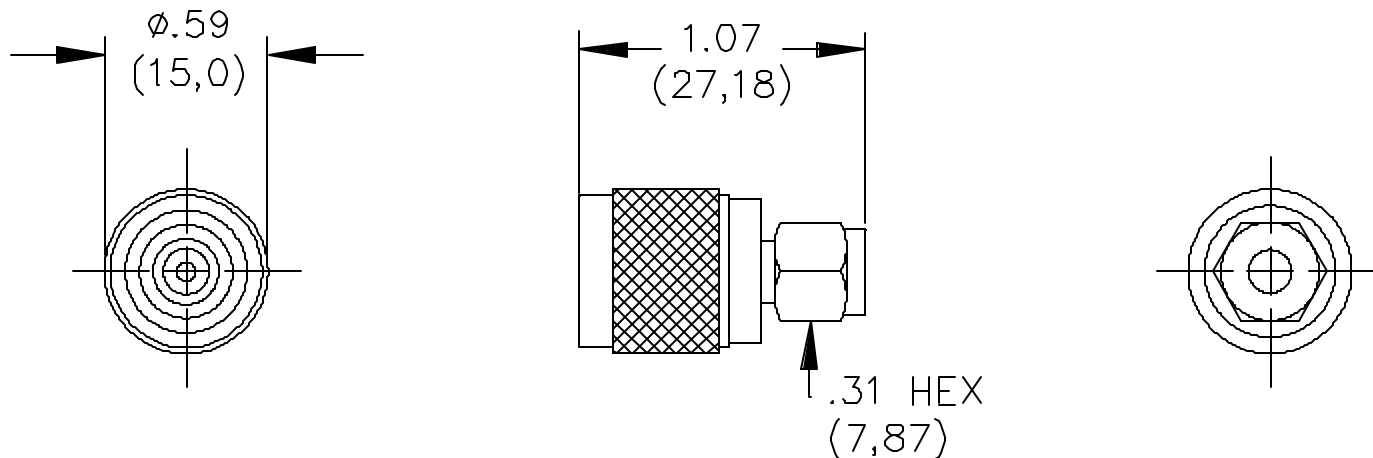


Pomona®

Model 4292 Adapter, SMA Male To TNC Male



MATERIALS:

Body – Gold Plated Beryllium Copper, Male Contact - Gold Plated Brass,

Dielectric: Teflon per L-P-403

Finish: Body and Contacts – Gold plated per MIL-G-45204, Type II, Class 2

Marking: “Pomona 4292”

RATINGS:

Voltage: Shield/Earth: 30VAC/60VDC Max.

Inner Conductor/Shield: 335VRMS Max.

Operating Temperature: -65°C (-85°F) to +165°C (+329°F)

Nominal Impedance: 50 Ohms

Frequency Range: 0-12.4 GHz.

ORDERING INFORMATION: Model 4292

All dimensions are in inches. Tolerances (except noted): .xx = $\pm .02$ " (.51 mm), .xxx = $\pm .005$ " (.127 mm).

All specifications are to the latest revisions. Specifications are subject to change without notice.

Registered trademarks are the property of their respective companies. Made in USA

Distribuido Por:

www.finaltest.com.mx

Calle del Ebano #16625

Tijuana B.C. Mexico

Tel. (664)681-1130

Tel. 01800 027-4848

ventas@final-test.net

FINAL TEST^{MR}
Venta de Instrumentos de Prueba y Medición