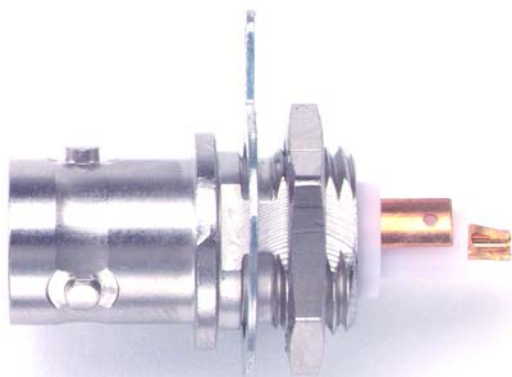
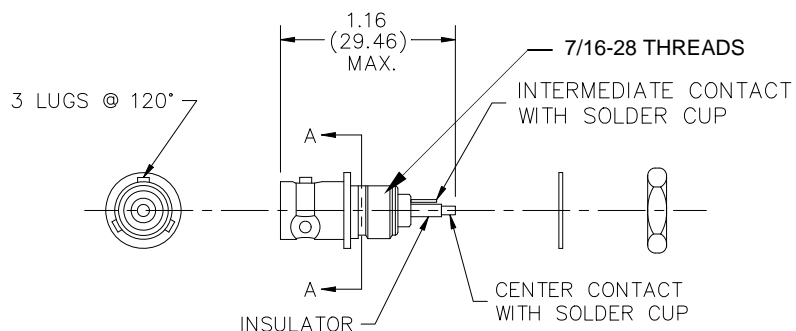


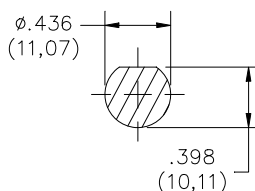
**Model 5219**  
**Triaxial, 3 Lug Bayonet BNC Style, (F) Bulkhead Mount**



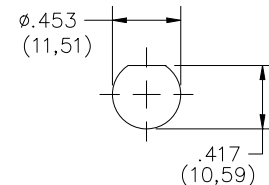
**Model 5219**  
**Triaxial, 3 Lug Bayonet BNC Style,**  
**(F) Bulkhead Mount**



0.05" MAX PANEL THICKNESS



SECTION A-A



MOUNTING HOLE PATTERN

**Materials**

Body/Fittings: Brass per QQ-B-626, Alloy 360, ½ Hard  
Tarnish Resistant

Dielectric: PTFE per MIL-P-19468

Center Contact: Gold Plated Beryllium Copper per QQ-C-530, Cond. HT. & MIL-C-49142.

Marking: "POMONA 5219"

**Ratings**

Operating Voltage: 500 VRMS

Nominal Impedance: 50 Ohms

Frequency Range: DC to 500 MHZ

Operating Temperature: -65°C to +165°C

**Ordering Information**

Model: 5219