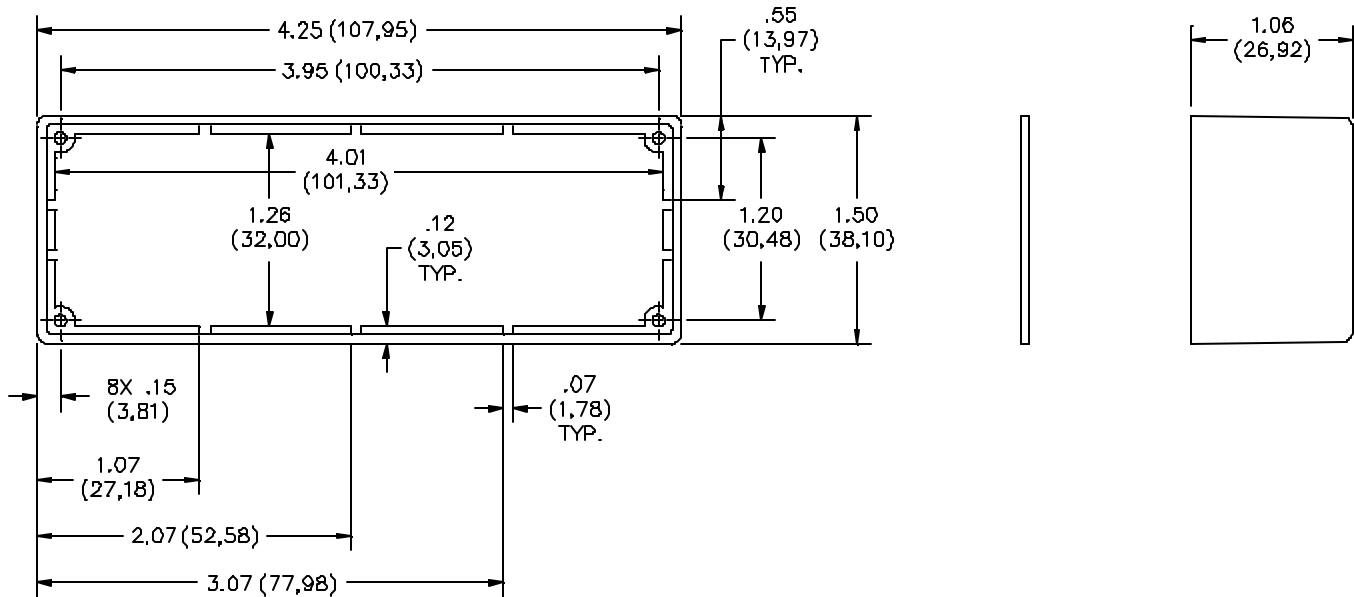


Pomona®

Model 5255 Die Cast Box, With Card Guides Size J, Unpainted



MATERIALS:

Die Cast Box:

Aluminum, die cast, Alloy 380 or A384
Finish: None
Marking: "POMONA ELECTRONICS, CALIF"

Cover:

1.60 (.063) thick aluminum, Alloy 1100-H14
Finish: Clear anodized
Marking: None

Screws:

4 each 2-32 X 6.35 (.25) long, pan head, slotted, self-tapping
Steel

RATINGS:

Operating Temperature: -55°C. to +150°C. (-67°F. to +302°F.)

ORDERING INFORMATION: Model 5255

All dimensions are in inches. Tolerances (except noted): .xx = $\pm .02$ " (.51 mm), .xxx = $\pm .005$ " (.127 mm).
All specifications are to the latest revisions. Specifications are subject to change without notice.
Registered trademarks are the property of their respective companies.

Made in USA

Distribuido Por:
www.finaltest.com.mx
Calle del Eban #16625
Tijuana B.C. Mexico
Tel. (664)681-1130
Tel. 01800 027-4848
ventas@final-test.net

FINAL TEST^{MR}
Venta de Instrumentos de Prueba y Medición