

Model 5319 Adapter – BNC Female To Phono Plug

FEATURES:

- ✓ Permits standard BNC cables (male ends) to be used with equipment having phono jacks.
- ✓ Gold plated center contact for minimum contact resistance and superior signal transfer.
- ✓ Machined (not die-cast) components for long life.

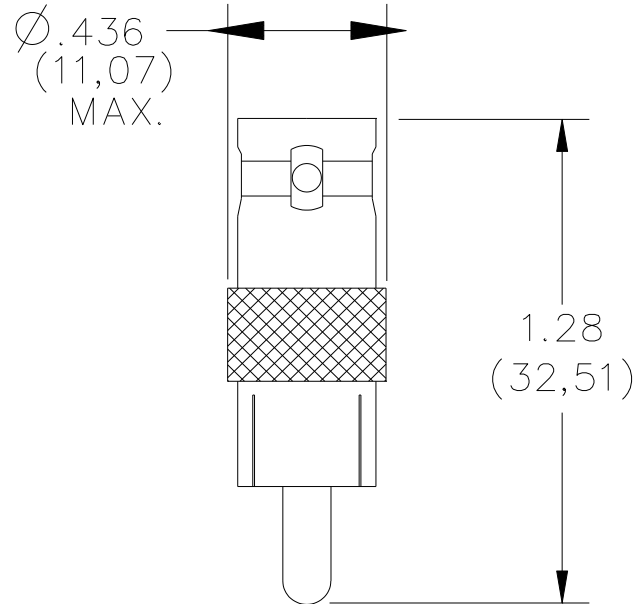
MATERIALS:

Body and Outer Contacts: Nickel plated brass
Center Contact - Phono plug: Gold plated brass
Center Contact - BNC: Gold plated beryllium copper
Dielectric: Delrin

RATINGS:

Temperature: +102°C. (216°F.) Max.

Voltage: Hands free testing in controlled voltage environments: 500 Vrms Max. *For CE compliance:* not intended for hand-held use at voltage above 33 Vrms/70 Vdc.



ORDERING INFORMATION: Model 5319

All dimensions are in inches. Tolerances (except noted): .xx = $\pm .02$ " (.51 mm), .xxx = $\pm .005$ " (.127 mm).

All specifications are to the latest revisions. Specifications are subject to change without notice.

Registered trademarks are the property of their respective companies.

Distribuido Por:
www.finaltest.com.mx
Calle del Eban #16625
Tijuana B.C. Mexico
Tel. (664)681-1130
Tel. 01800 027-4848
ventas@final-test.net