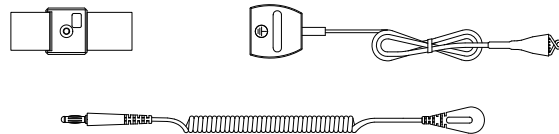
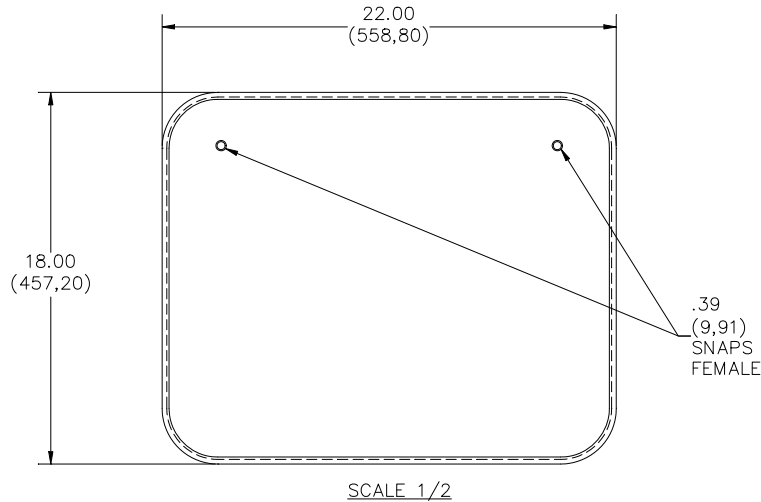


**Model 6087**  
**Field Service Kit, Red, ESD**



**Features**

- Complete and durable service kit for static sensitive work.
- Features a static-safe 18" x 22" (460mm x 560mm) laminated red vinyl mat.
- Kit includes a mat with two 10mm snap sockets, common point ground connector with two Banana Plug Jacks and a 15' ground lead, an adjustable elastic wrist strap (Model 6081) and a resistive coil cord (Model 5534).
- Folds down to fit into your tool box.



All dimensions are in inches. Tolerances (except noted): .xx = ±.02" (.51 mm), .xxx = ±.005" (.127 mm). All specifications are to the latest revisions. Specifications are subject to change without notice. Registered trademarks are the property of their respective companies.

**Model 6087**  
**Field Service Kit, Red, ESD****Specifications**Wrist Strap:

Body: Impact resistant plastic, Blue

Strap: Elastic fibers with silver-plated Nylon, Yarn, Circumference: 2.50" (64,0) min., 13.00" (330,0) max.

Snap and Cam: Stainless Steel, 4mm (0.16") snap stud

Anti-Static Ground Cord:Banana Plug:

Body – Brass, nickel-plated, fits 4.2mm (0.17") standard Banana Jack

Insulation – PVC, Black

Cord: Coiled Tinsel Cord, Polyurethane 2.25mm O.D.

Snap:

Body – Brass, nickel-plated, fits 4mm (0.16") snap stud

Insulation – PVC, Black

Length: 6 feet, extended

Resistor: 1 megohm

MAT, ESD: 0.018" (0,46) thick, vinyl, Red

Common Point Ground Cord:Snap with Banana Jacks End:

Body – Brass, nickel-plated, 10mm (3/8") Stud (Male)

Resistor – 1 Megohm, insulated

Insulation – PVC, Black

Banana Jacks – Brass, nickel-plated, fits 4.2mm (0.17") Standard Banana Plug

Cord: Coiled Tinsel Cord, Polyurethane 2.25mm O.D., Length: 15 ft.

Large Alligator Clip End:

Body – Brass, nickel-plated, fits 4.2mm (0.17") Standard Banana Plug

Insulation – PVC, Black

**Ratings**

Surface Resistivity: 108 to 109 Ohm/Sq.

Volume Resistivity: 109 Ohm cm

Static Decay: 0.01 sec 5000V to 0V 12% RH

**Ordering Information**

Model: 6087

Packaging: Elastic Wrist Strap, Anti-Static Ground Cord, Common Point Ground Cord, Mat, Alligator Clip, and two Instruction Sheets per bag.