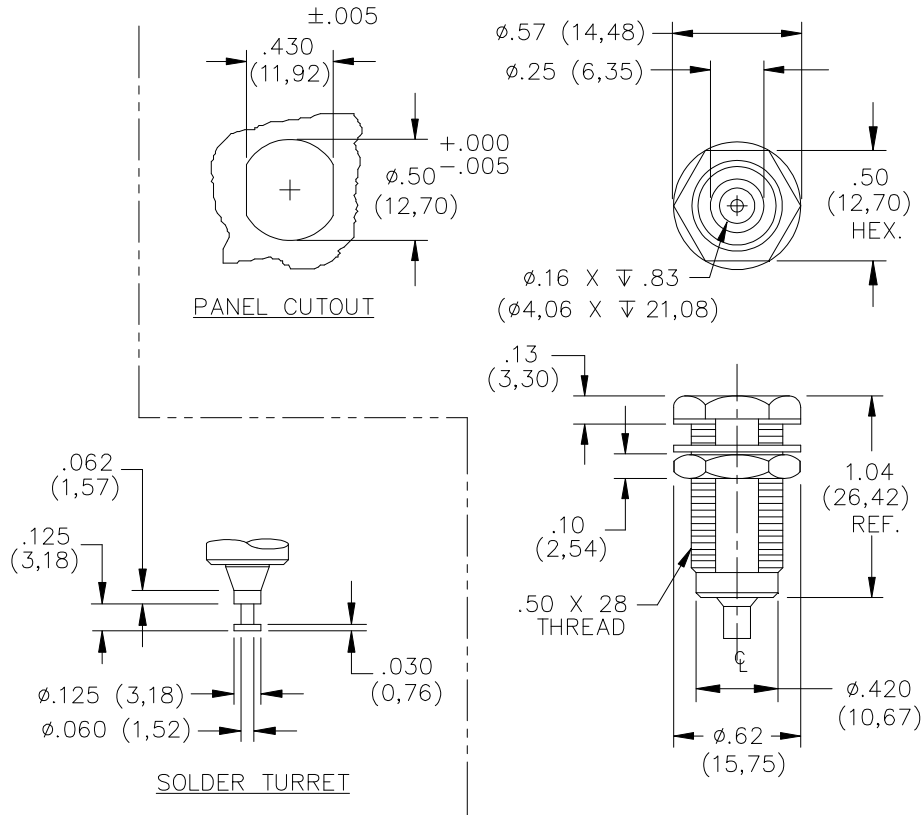


Model 6387 Banana Jack, Panel Mount, 4mm For Sheathed Banana Plugs



Recommended Maximum Panel Thickness: .57" (15mm)

FEATURES:

- Banana Jack mates to all popular shrouded and unshrouded DMM plugs
- Meets IEC 1010-2-031 CAT III 1000V

MATERIALS:

Banana Jack: Brass, Tin-plated

Terminal Type: Solder Turret

Insulation: Nylon, see ordering information for color

Nut: Brass, Nickel Plated

RATINGS:

Operating Voltage: 1000 VRMS Max.
Current: 15 Amperes Max.

ORDERING INFORMATION:

Model 6387-ST-T-*

* = Color, available in -0 Black, -2 Red

Sold in packs of 10.

All dimensions are in inches. Tolerances (except noted): .xx = ±.02" (.51 mm), .xxx = ±.005" (.127 mm).

All specifications are to the latest revisions. Specifications are subject to change without notice.

Registered trademarks are the property of their respective companies.

Distribuido Por:

www.finaltest.com.mx

Calle del Ebanó #16625

Tijuana B.C. Mexico

Tel. (664)681-1130

Tel. 01800 027-4848

ventas@final-test.net