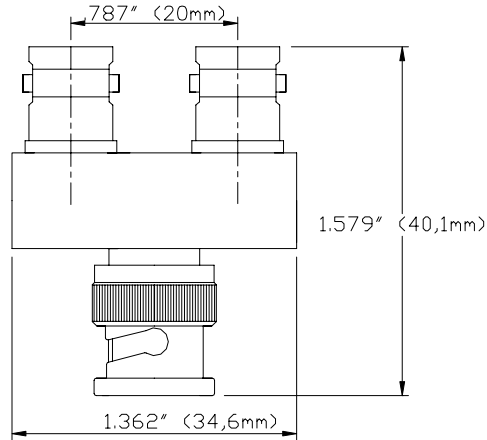


**Model 6754
BNC (F/M/F) Adapter, In-Line, 75 Ω**



Model 6754 BNC (F/M/F) Adapter, In-Line 75 Ω



Use 75 Ω Pomona BNC In-Line adapters for your broadcast applications

Features

- All connectors and adapters are 75 Ω for broadcast applications.
 - Made from precision machined high quality brass.
 - Insulation material is high density PTFE (**not delrin**).

Materials

- Body is precision machined brass with tarnish resistant nickel plating.
- Male center pin contacts are gold-plated brass (20 micro-inches).
- Female center contacts are gold-plated heat treated beryllium copper.
- High quality machined PTFE dielectric.

Ordering Information

Model: 6754

Specifications

Nominal impedance	75 Ω
Frequency	0-3 GHz
VSWR	1.10 max. 0-1 GHz 1.35 max. 1-3 GHz
Center contact resistance	1.5 mΩ
Insulation resistance	5000 MΩ
Number of insertions	500

Ratings:

Voltage: 500 Vrms
Operating Temperature: -85 °F to +329 °F (-65 °C to +165 °C) Max.