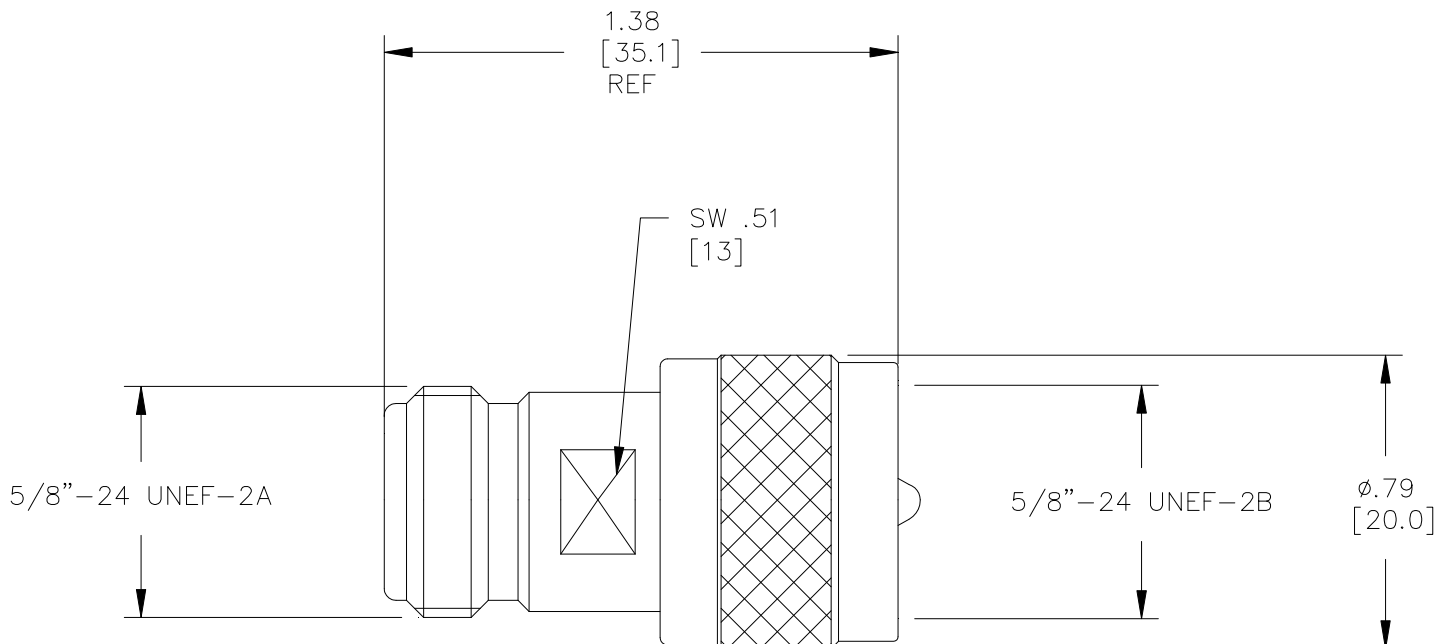


Model 73047
N Type Jack to UHF Plug Adapter



Model 73047
N Type Jack to UHF Plug Adapter

Features

- DC – 300MHz bandwidth.
- Connectors are precision machined.

Materials

Center Conductor: Phosphor Bronze, Gold Plated
Connector Body: Brass, Nickel Plated
Insulators: PTFE

Specifications

Frequency Range:	DC – 300MHz
Contact Resistance:	
Center Conductor:	≤1.0 mΩ
Outer Conductor:	≤0.2 mΩ
Insulation Resistance:	≥ 300 MΩ
Dielectric Withstand Voltage:	750V
	<i>For CE compliance, do not hold in hand when voltages exceed 33 Vrms / 70 Vdc.</i>
Number of Insertions:	500 cycles minimum

Ordering Information

Model: **73047**