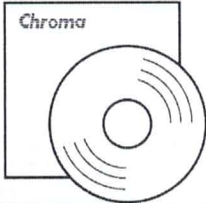



Accessory List

Model:66205
P/N:9 66205000

Standard Accessories

Item				
Name	User's Manual Disk* 1pcs	Spanner* 1pcs		
P/N	<input type="checkbox"/> F30 000219	<input type="checkbox"/> G55 000948		

Optional Accessories

P/N	Power Cable (US) AL-211+AL-503 <input checked="" type="checkbox"/> W39 000002	Power Cable (CN) PHS-301+PHP-304R <input type="checkbox"/> W12 000025	Power Cable(EUR) AL301+AL501 <input type="checkbox"/> W12 130010	
P/N				
P/N				

QC OK: 